



Model 41075-SERIES



BATTERY POWERED HAND LIGHT

FEATURES

Beam Selections: Spot/Flood Beam

Reflector: 6" Diameter, Precision Molded, Chrome Plated

Bulb: Dual Pin Base, Standard Automotive Type

Candlepower: Over 10,000 BCP

Construction: Non-ferrous Housing, Cast Aluminum Handle, Soft Rubber Grip

Weight: 1-3/4 lbs. (Approx., Less Battery) (0,79 kgs)
9 lbs. (Approx., With Battery) (4,1 kgs)

Model 41075-SERIES

APPLICATION

Ideal for temporary work and recreation area lighting. Thousands of lights are in use nightly by Utility Companies, Fire Departments, Sportsmen, Campers, Marine Tradesmen and many more. The powerful light beam, plus complete portability, makes the 41075 an ideal temporary light for work or play.

BATTERY DATA

The battery must be purchased separately. Batteries are readily available at dry cell battery distribution firms. The 7-1/2 volt, 20 cell power battery is listed under the Standard Industrial Battery Classification as NEDA No. 903.

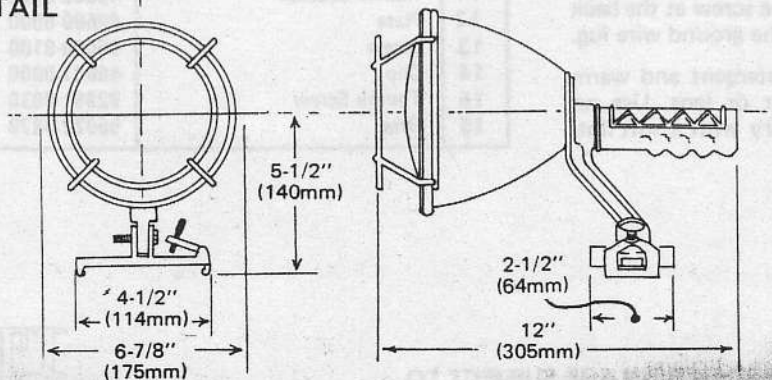
MODELS AVAILABLE

Description	Model Number	Standard Carton Quantity
Spot/Flood, Glass Lens, Wire Guard	41075-2000	4
Spot/Flood, Glass Lens, Wire Guard	41075-2140	1
Spot/Flood, Plastic Lens, Wire Guard	41075-2110	4

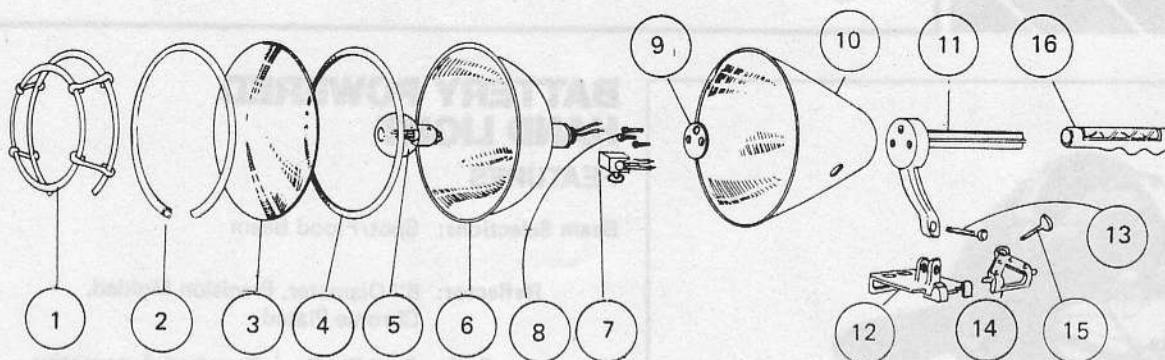
Popular Battery Manufacturers

MFG or Brand	Part No.
Eveready	No. 715
Mallory	M 903
Burgess	4F-58
Bright Star	No. 155

DIMENSIONAL DETAIL



PARTS VIEW



OPERATION

Install Battery: Loosen battery post nuts. Set light plate on battery and slide light plate under one post nut. Push clamp over side of battery and tighten thumbscrew. Hook light wire to remaining post and tighten post nuts.

Light Operation: Push on the light switch located on the right side of the housing. Adjust the light head up or down to aim the light beam.

SERVICE

Disassembly: Detach the wire lens guard. Dislodge the lens retaining ring. Remove the lens and gasket.

Bulb Replacement: Push the bulb in, rotate it counterclockwise and pull it clear of the socket.

Reflector and Socket Replacement: Cut the crimp connector from the wire between the socket and switch. Loosen the screw at the back of the housing and remove the ground wire lug.

Cleaning: Use only mild detergent and warm water to clean the reflector or lens. Use no solvents or abrasives. Wipe dry with a soft lint-free cloth.

PARTS LIST

Key	Description	Part Number		
		41075-2xxx Series	41075-1xxx Series	41075-0xxx Series (Produced Prior to March 1978)
1	Wire Lens Guard	40605-0010	40605-0010	40605-0000
2	Lens Retaining Clip	43586-0000	43586-0000	-
3	Lens Retaining Ring	-	-	40617-0010
3	Lens - Clear Glass	40608-0000	40608-0000	40608-0000
3	Lens - Clear Plastic	41070-0000	41070-0000	41070-0000
4	Gasket	40607-0000	40607-0000	40607-0000
5	Bulb	98039-0010	98039-0611	98039-0010
6	Reflector and Socket Assy.	43575-0000	43575-0000	43575-0000
7	On/Off Switch	96070-0370	96070-0370	-
7	Spot/Off/Flood Switch	96070-0190	-	96070-0190
8	Screw (3 required)	91106-0190	91106-0190	91106-0190
9	Plate	40604-0000	40604-0000	40604-0000
10	Housing	40603-0030	40603-0030	40603-0010
11	Handle Bracket	40602-0000	40602-0000	40602-0000
12	Plate	40600-0000	40600-0000	40600-0000
13	Screw	96050-0100	96050-0100	96050-0100
14	Clip	40601-0000	40601-0000	40601-0000
15	Thumb Screw	92851-0030	92851-0030	92851-0030
16	Grip	98022-0870	98022-0870	98022-0870

THE PRODUCTS DESCRIBED HEREIN ARE SUBJECT TO THE JABSCO® ONE YEAR LIMITED WARRANTY, WHICH IS AVAILABLE FOR YOUR INSPECTION UPON REQUEST.

ITT Jabsco
 ITT Fluid Technology Corporation
 1485 Dale Way, P.O. Box 2158
 Costa Mesa, California 92628-2158
 Telephone: (714) 545-8251