

FEATURES

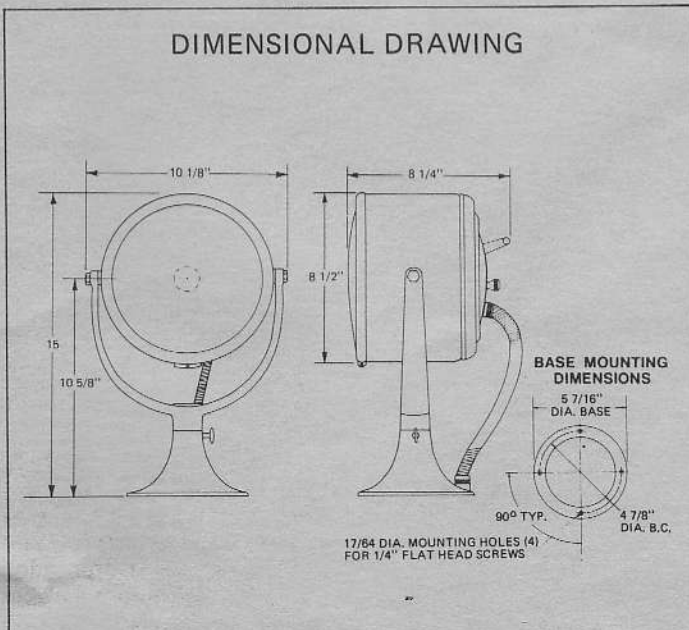
- Heavy-gauge copper, brass, and bronze construction.
- High quality, heavy nickel-chrome finish.
- Heat resistant tempered convex lens.
- Full horizontal and vertical sweep.
- Horizontal locking device.
- Double-contact bayonet-type projector bulb.
- Precision-formed, polished chrome parabolic reflector.
- External focusing for spot or flood beam.
- Rubber covered wiring cable enclosed in weatherproof flexible conduit.
- Approximate shipping weight: 16 lbs.

STANDARD MODELS

Model Number	Finish	Voltage	Amperage	Bulb Number
40800-0040	Chrome	12	6	98039-0020
40800-0120	Chrome	32	3½	98039-0060

Note: For 24 volt, order Bulb Number 98039-0050

DIMENSIONAL DRAWING



INSTALLATION AND MAINTENANCE

INSTALLATION INSTRUCTIONS: Searchlight should be mounted so that base is level. Drill ½" hole for wiring. Mount light in place, feeding wire into ½" hole. After putting sealing compound under base, fasten base to deck with conduit fitting facing aft.

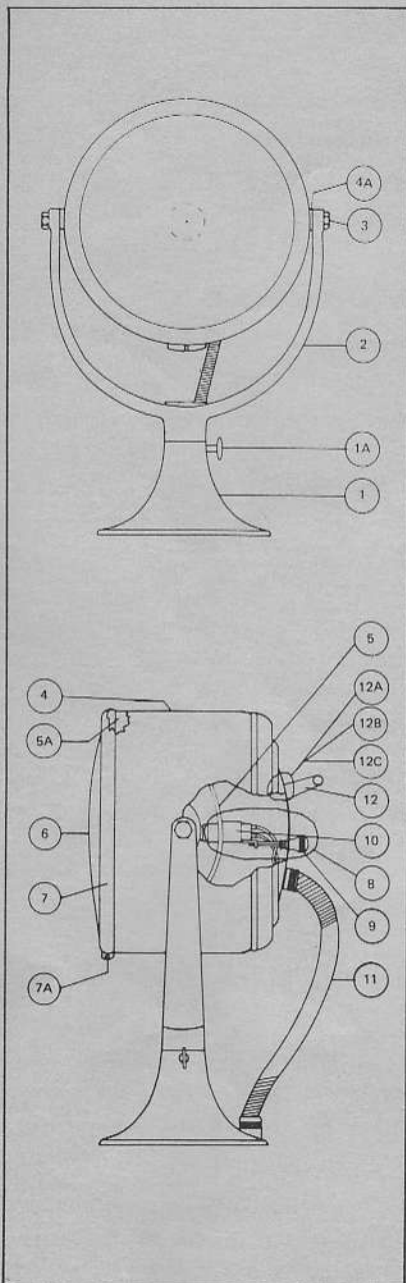
WIRING INSTRUCTIONS: Use stranded copper wire. For 12 volt models, use 12 gauge wire for up to 35' from power source. For 32 volt models, use 16 gauge wire for up to 50' from power source. For lengths greater than specified, a heavier gauge wire should be used.

INSTALLATION AND MAINTENANCE (CONT'D.)

RELAMPING AND FOCUSING: Remove lens clamp (Key 7) and lens (Key 6), and remove bulb by pushing in and turning counter-clockwise. Install new bulb. Replace lens and lens clamp. Adjust focusing knob for desired beam width.

MAINTENANCE: Clean the bulb, reflector and lens periodically with a soft, lint-free cloth for best efficiency. Apply a coating of all-weather grease to moving parts as needed. To adjust vertical tension, loosen set screws (Key 4A) and tighten mounting bolts (Key 3). Retighten set screws.

PARTS LIST



Key	Part Description	Part Number	Quantity
1	Base	40812-0010	1
*1A	Horizontal Lock Bolt	40517-0010	1
2	Trunnion	43300-0000	1
*3	Mounting Bolts	43265-0010	2
*4	Housing Assembly (includes trunnion mounts & male connector for conduit)	40838-0080	1
*4A	Set Screws for Housing	96091-0010	2
*5	Reflector (includes socket sleeve)	40548-0000	1
*5A	Cork Gasket	96091-0110	1
*6	Lens	98044-0060	1
*7	Lens Clamp	40834-0000	1
*7A	Bolt for Lens Clamp	91001-0060	1
*8	Socket and Focusing Device (includes wire through base)	43395-0030	1
*9	Focusing Device Only (includes knob, shank, washer, and locknut)	43235-0030	1
*10	Socket Only (includes wire through base)	40568-0000	1
*11	Conduit (includes female connectors)	40518-0020	1
*12	Handle	40796-0020	1
*12A	Bolts for Handle	91095-0600	2
*12B	Washer for Handle	91613-0680	2
*12C	Lockwasher for Handle	91613-0690	2

Items in parts list with lettered key numbers are supporting hardware to the basic part number (i.e. key number 5A should be ordered with the reflector, key 5).

NOTE: SERVICE PARTS FOR EARLIER MODELS — The above parts list is for lights marked with a nine-digit model number (i.e. 40800-0000). Earlier models are marked with a three-digit model number (i.e. 800). Only key numbers marked with an asterisk are interchangeable for all models. For service requirements on lights with three-digit model numbers, where interchangeable parts are not indicated, the light should be returned to the factory at 501 West Liberty Street, Springfield, Ohio 45501.

JABSCO PRODUCTS **ITT**

Marine and Recreation Components Division
International Telephone and Telegraph Corporation
1485 Dale Way, Costa Mesa, California 92626

Telephone: (714) 545-8251