

**FEATURES**

- Heavy-gauge copper, brass, and bronze construction.
- High quality, heavy nickel chrome finish or tough baked enamel paint finish.
- Heat resistant tempered convex lens set in weather-proof gasket.
- Escutcheon plate covers and finishes clearance hole in cabin ceiling.
- Single-lever action for quick horizontal and vertical sweep.
- 285° horizontal sweep and 50° vertical motion.
- Horizontal and vertical locking device.
- Double contact bayonet-type projector bulb.
- Precision-formed polished chrome parabolic reflector.
- External focusing for spot or flood beam.
- Rubber covered wiring cable enclosed in weather-proof flexible conduit.
- Shipping weight: Approximately 30 lbs. (13.6 Kg)

**STANDARD MODELS**

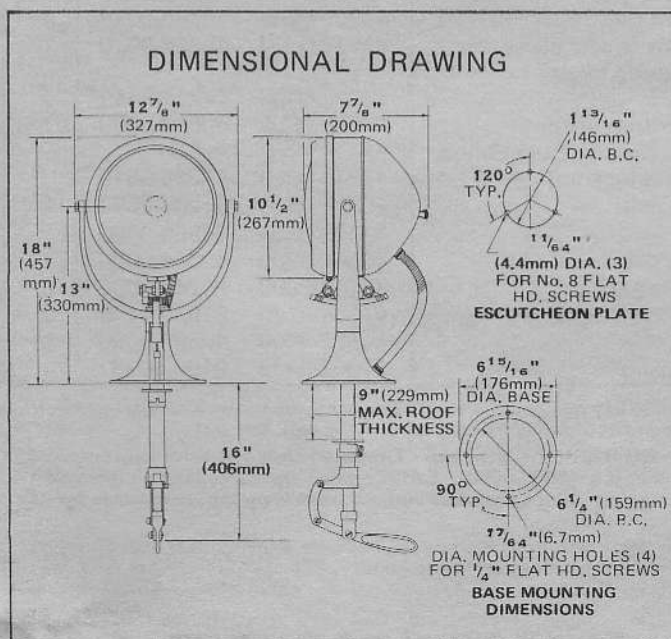
Model Number	Finish	Voltage	Amperage	Bulb Number	Rod Length Below Base
40533-0090	Gray	12	5½	98039-0020	16" (406mm)
40533-0110	Gray	32	3½	98039-0060	16" (406mm)
40533-0210	Chrome	12	5½	98039-0020	16" (406mm)
40533-0230	Chrome	32	3½	98039-0060	16" (406mm)

Note: For 24 Volt order Bulb Number 98039-0050.

**INSTALLATION AND MAINTENANCE**

**INSTALLATION INSTRUCTIONS:** Searchlight should be mounted so its base is level. Drill 1 1/8" (29mm) clearance hole through roof for outside control rod. Drill 1/2" (13mm) hole for wiring directly behind and next to control rod hole. Loosen set screws (Keys 9B, 10A) and remove lever and fulcrum assembly. Loosen screw (13A) and remove stop collar (Key 13) and escutcheon plate (Key 14) from rod. Mount light in place, feeding wire through 1/2" hole. After putting sealing compound under base, fasten to roof with conduit fitting facing aft. Replace escutcheon plate and mount to ceiling with split in plate facing aft. Replace stop collar, and tighten set screw for rotation stop. Replace lever and fulcrum assembly.

**WIRING DIRECTIONS:** Use stranded copper wire. For 12 volt models, use 12 gauge wire for up to 35' (10.6M) from power source. For 32 volt models, use 16 gauge wire for up to 50' (15.2M) from power source. For lengths greater than specified, a heavier gauge wire should be used.



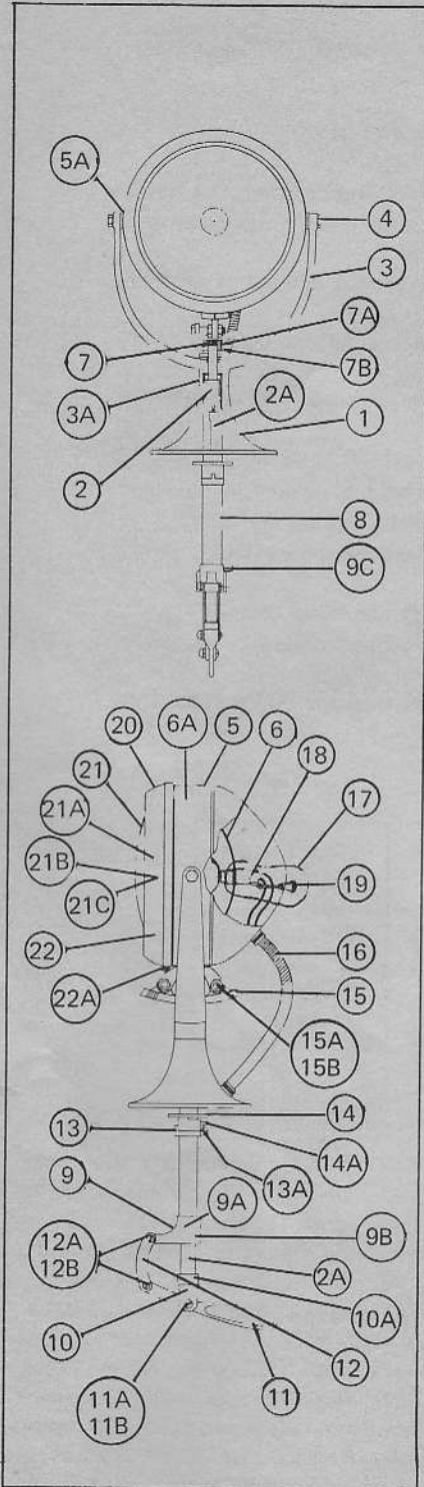
**JABSCO PRODUCTS**

# INSTALLATION AND MAINTENANCE (CONT'D).

**RELAMPING AND FOCUSING:** Remove door clamp (Key 22) and door (Key 20) and remove bulb by pushing in and turning to left. Install new bulb. Replace door and clamp. Adjust focusing knob for desired beam width.

**MAINTENANCE:** Clean the bulb, reflector and lens with a soft, lint-free cloth periodically for best efficiency. Apply a coating of all-weather grease to moving parts as needed.

## PARTS LIST



Key	Description	PART NUMBERS		QTY.
		Chrome Models	Gray Models	
1	Base (includes male connector for conduit)	40522-0000	40522-0020	1
2	Spiral Rod Assy. (for vertical control)	40403-0000	40403-0000	1
2A	Inside Control Rod (with fitting for spiral rod)	40394-0000	40394-0010	1
3	Trunnion	40524-0000	40524-0020	1
3A	Set Screw for Trunnion	96091-0010	96091-0010	2
* 4	Mounting Bolts	43265-0000	43265-0010	2
* 5	Housing Assy. (includes brace rack for mounting quadrant gear, trunnion mounts, and male connector for conduit)	40519-0000	40519-0020	1
* 5A	Set Screw for Housing Assembly	96091-0010	96091-0010	2
* 6	Reflector (includes socket sleeve)	40523-0000	40523-0000	1
* 6A	Screws for Mounting Reflector	91030-0140	91030-0140	3
7	Pinion Gear	40528-0010	40528-0000	1
* 7A	Set Screws for Pinion Gear	96091-0020	96091-0020	2
* 7B	Thrust Washer for Pinion Gear	43190-0000	43190-0000	1
8	Outside Control Rod	40397-0020	40397-0030	1
9	Upper Fulcrum	41841-0020	41841-0030	1
9A	Nylon Bushing for Upper Fulcrum	40042-0010	40042-0010	1
* 9B	Set Screws for Upper Fulcrum	96091-0010	96091-0010	2
* 9C	Lockscrew for Vertical Tension	40187-0020	40187-0010	1
10	Lower Fulcrum	40399-0000	40399-0010	1
* 10A	Set Screws for Lower Fulcrum	96091-0010	96091-0010	2
11	Lever Handle	40406-0000	40406-0010	1
* 11A	Bolt for Lever Handle	91043-0200	91043-0190	1
* 11B	Nut for Lever Handle	91085-0590	91085-0410	1
* 12	Fulcrum Straps	40265-0000	40265-0010	2
* 12A	Bolt for Fulcrum Straps	91043-0080	91043-0050	2
* 12B	Nut for Fulcrum Strap	91085-0590	91085-0410	2
13	Stop Collar	40520-0010	40520-0000	1
* 13A	Screw for Stop Collar	91002-0210	91002-0180	1
14	Escutcheon Plate	40534-0010	40534-0000	1
* 14A	Bolt for Escutcheon Plate	40517-0000	40517-0010	1
15	Quadrant Gear	40529-0000	40529-0010	1
* 15A	Bolt for Quadrant Gear	43264-0000	43264-0010	2
* 15B	Nut for Quadrant Gear	43252-0000	43252-0010	4
* 16	Conduit (includes female connectors)	40518-0010	40518-0020	1
* 17	Socket and Focusing Device (includes wire)	43395-0000	43395-0010	1
* 18	Socket Only (includes wire)	40568-0000	40568-0000	1
* 19	Focusing Device Only (includes knob, shank, washer and locknut)	43235-0000	43235-0010	1
* 20	Door Only (less lens)	40535-0030	40535-0020	1
* 21	Lens Only	40526-0000	40526-0000	1
* 21A	Gasket for Lens	40044-0000	40044-0000	1
* 21B	Clips for Mounting Lens	43262-0000	43262-0000	6
* 21C	Screws for Mounting Lens	91030-0140	91030-0140	6
* 22	Door Clamp	40527-0000	40527-0020	1
* 22A	Bolt for Door Clamp	91002-0232	91002-0231	1

Items in Parts List with lettered key numbers are supporting hardware to the basic part number (i.e. Key numbers 21A, 21B and 21C should be ordered with the lens, Key 21).

**NOTE: SERVICE PARTS FOR EARLIER MODELS -** The above Parts List is for lights marked with a nine digit model number (i.e. 40533-0000). Earlier models are marked with a three digit model number (i.e. 533). Only key numbers marked with an asterisk are interchangeable for all models.

For service requirements on lights with three digit model numbers, where interchangeable parts are not indicated, the light should be returned to the factory, ITT Jabsco Products, 501 West Liberty Street, Springfield, Ohio 45501.

# JABSCO PRODUCTS ITT

Marine and Recreation Components Division  
International Telephone and Telegraph Corporation  
1485 Dale Way, Costa Mesa, California 92626