

FEATURES

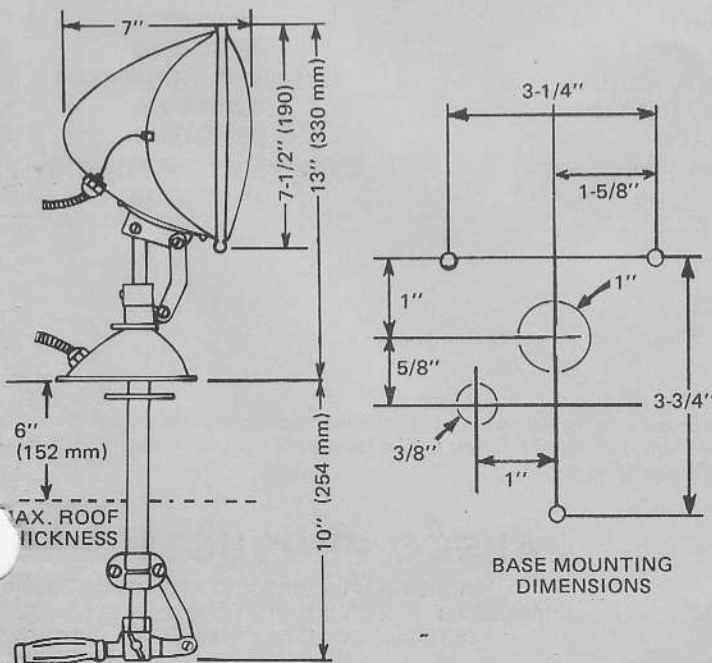
- Heavy-gauge copper, brass, and bronze construction.
- High quality, heavy nickel chrome finish or tough gray baked enamel paint finish.
- Single-lever action for quick horizontal and vertical sweep.
- 330° horizontal sweep and 125° vertical motion.
- Horizontal and vertical locking device.
- Powerful 7" sealed beam bulb for up to 5/8 mile ray.
- 1/4 million candle power.
- Bulb wiring enclosed in weather-proof flexible conduit.
- Shipping weight: Approximately 10 lbs. (4.5 kg).



STANDARD MODELS

Model Number	Finish	Voltage	Amperage	Bulb Number	Rod Length Below Base	Candle Power
40017-0010	Gray	12	8	98040-0020	10" (254 mm)	250,000
40017-0020	Gray	32	3-1/2	98040-0080	10" (254 mm)	270,000
40017-0040	Chrome	12	8	98040-0020	10" (254 mm)	250,000
40017-0050	Chrome	32	3-1/2	98040-0080	10" (254 mm)	270,000
40017-0080	Gray	24	4-1/2	98040-0450	10" (254 mm)	270,000
40017-0090	Chrome	24	4-1/2	98040-0450	10" (254 mm)	270,000

DIMENSIONAL DRAWING



INSTALLATION AND MAINTENANCE

INSTALLATION INSTRUCTIONS: Searchlight should be mounted so its base is level. Drill 1" (26 mm) clearance hole through roof for outside control rod. Drill 3/8" (10 mm) hole for wiring next to control rod hole. Remove friction clip (Key 14) and control lever bolt (Key 18). Slide lever and fulcrum assembly off rod. Mount light in place, feeding wire through 3/8" hole. After putting sealing compound under base, fasten to roof with conduit fitting facing aft. Replace escutcheon plate, lever and fulcrum assembly, lever facing aft.

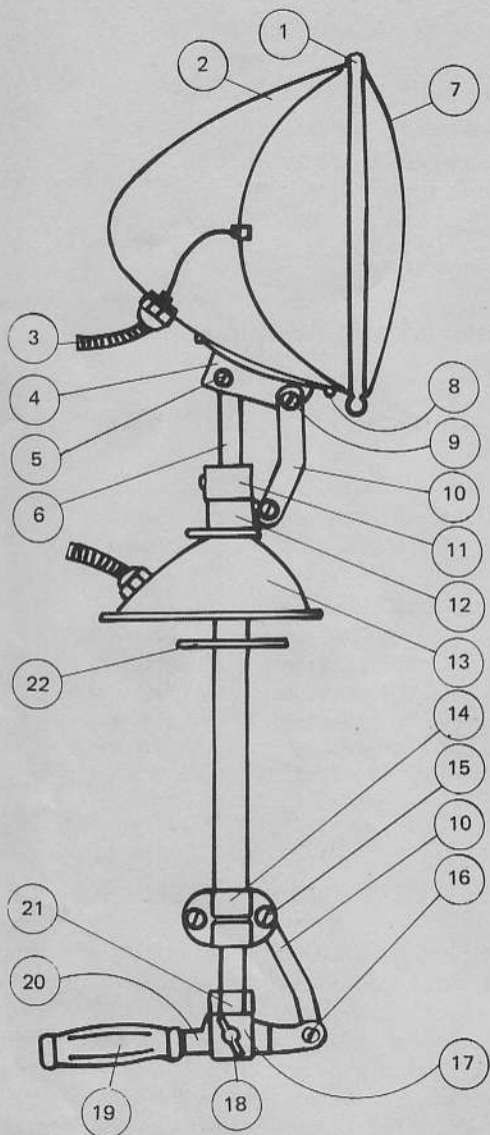
WIRING DIRECTIONS: Use stranded copper wire. For 12 volt models, use 12 gauge wire for up to 35' (10.6m) from power source. For 24 volt models, use 14 gauge wire for up to 45' (13.7m) from power source. For 32 volt models, use 16 gauge wire for up to 50' (15.2m) from power source. For lengths greater than specified, a heavier gauge wire should be used.

INSTALLATION AND MAINTENANCE (CONT'D)

CHANGING BULB: Remove bulb clamp ring (Key 1) and remove bulb. Install new bulb. Replace clamp ring. Before tightening clamp, position bulb top indicator to top center of housing.

MAINTENANCE: Clean the bulb lens with water and a cloth periodically for best efficiency. Apply a light coating of all-weather grease to moving parts as needed.

PARTS LIST



Key	Description	PART NUMBER		QTY.
		Chrome Models	Gray Models	
1	CLAMP RING ASSY	40257-0000		1
2	HOUSING ASSY	40263-0010	40263-0000	1
3	CONDUIT ASSY	43563-0000		1
4	HOUSING BRACKET	40267-0010	40267-0000	1
5	SCREW (NUT & WASHER SEE 9)	91043-0060		
6	ROD ASSY	40259-0000		1
7	BULB 12 Volt	98040-0020		1
	24 Volt	98040-0450		
	32 Volt	98040-0080		
8	SCREW	91030-0160		3
	NUT	91085-0490		3
9	SCREW	91043-0050		2
	ACORN NUT	91085-0410		3
	LOCK WASHER	91602-0210		6
10	FULCRUM STRAP	40265-0010		3
11	TRUNNION CAP	40189-0010		1
	SET SCREW	96092-0010		
	BRASS WASHER	91613-0170		
	RUBBER WASHER	91613-0180		
12	FRICTION COLLAR	40264-0010		1
	NYLON WASHER	91613-0160		2
13	BASE ASSY	40298-0010	40298-0000	1
14	FRICTION CLIP	40266-0000		2
15	SCREW	91043-0030		2
	NUT (WASHER, SEE 9)	91085-0500		3
16	SCREW (NUT & WASHER SEE 9 & 15)	91043-0090		1
17	LOCKING BRACKET	40214-0010		1
18	BOLT	91103-0030		1
	WING NUT	91107-0070		1
19	GRIP	98022-0920		1
20	CONTROL HANDLE	40186-0010	40186-0000	1
21	LOWER FULCRUM	40211-0000		1
	SET SCREW	96992-0010		1
22	ESCUTCHEON PLATE	40262-0000	40262-0010	1
	WOOD SCREW	91044-0010		5

For service requirements on lights with two digit model numbers, where interchangeable parts are not indicated, the light should be returned to the factory, ITT Jabsco Products, 501 West Liberty Street, Springfield, Ohio 45501.

JABSCO PRODUCTS ITT

Marine and Recreation Components Division
International Telephone and Telegraph Corporation
1485 Dale Way, Costa Mesa, California 92626

Telephone: (714) 545-8251