

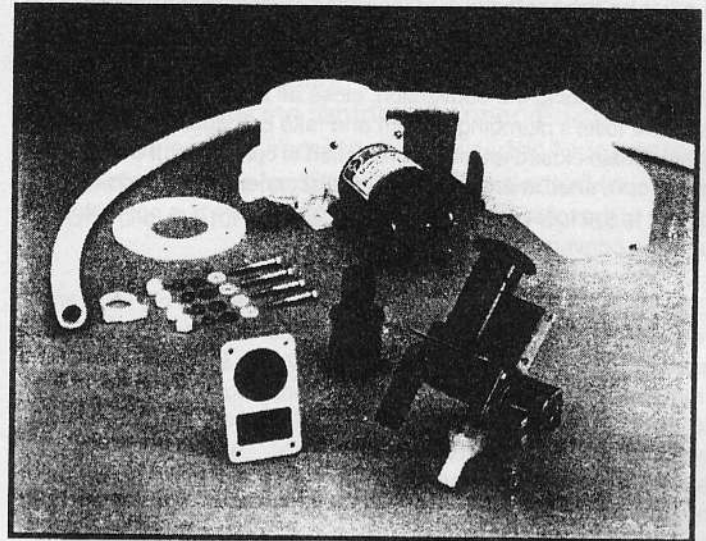


Model 37055-Series

QUIET - FLUSH ELECTRIC TOILET CONVERSION

FEATURES

- Very quiet flush cycle - like a household toilet
- Converts all Jabsco, Par manual toilets and early electric toilets to the new Quiet-Flush System
- Also converts Groco HC, HE & HF; Raritan PH, Cricket, Compact & Crown; Sealand (Mansfield) 750 to 752 series and all Wilcox Crittenden toilets
- Single button flush actuator - with dual function water level control switch
- Can be plumbed to any pressurized water system that can provide a 3-1/2 GPM (13,5 LPM) flow rate
- Water control solenoid valve with anti-siphon breaker to prevent contamination of potable water supply
- White vitreous china bowl available in compact or comfortable household size
- Baked enamel seat & cover
- High capacity waste macerator and bowl discharge pump



Model 37055-Series

Model Number	Description
37055-0012	Toilet Conversion, 12 Volt DC
37055-0092*	Toilet Conversion, 12 Volt EMC
37055-0024	Toilet Conversion, 24 Volt DC
37055-0094*	Toilet Conversion, 24 Volt EMC

* This model is **CE** Marked and complies with EN50081-1 for suppression of electro-magnetic interference.

SPECIFICATIONS

PORTS	Inlet-3/4" Hose Barb Outlet-1" Hose Barb
MOTOR & SWITCH	Meet U.S.C.G. Regulation 183.410 and ISO 8846 for Ignition Protection. EMC Models Available
WATER CONSUMPTION	1-2 Quarts (Litres)/Flush

OPERATION

The Quiet-Flush Toilet Conversion provides both quiet operation and user control of water levels in the toilet bowl. A single large push button switch provides a simple flush mode by activating both the rinse water supply and the macerator discharge pump simultaneously. An additional rocker switch offers independent control of the rinse water supply

and discharge pump separately so the bowl water level can be easily raised or lowered by the user. This provides a method of minimizing water use, when desired, as well as a means of raising the water level in the bowl when appropriate for user comfort. It also allows for complete evacuation of the bowl water while underway in rough sea conditions.

INSTALLATION

PLUMBING

The 37055 Series Quiet-Flush Toilet Conversion can be plumbed to any pressurized water system that can provide a minimum of 3-1/2 GPM (13.5 LPM). This may be a fresh water system including the vessel's potable water system or a washdown system utilizing either fresh or salt water. However, it must be connected to a pressurized system that normally remains on at all times while the vessel is in use.

Before beginning the conversion, close all seacocks connected with the toilet's plumbing system and take precaution to ensure they remain closed until the conversion is complete. If the toilet being converted is an electric toilet, disconnect the electrical power to the toilet and take precaution to ensure it is not restored until the conversion is complete.

Disconnect both inlet and discharge hoses from the old toilet and remove the toilet from its mounting surface. If the toilet being converted is an electric model, disconnect the electrical wiring from the toilet. Remove the hose connected to the back of the toilet's china bowl and remove the china bowl and seat & lid assembly from the old toilet base assembly. It is generally easiest to turn the bowl and seat & lid upside down to attach the new Toilet Conversion Base to the china bowl. Ensure the bottom surface of the china bowl is clean and position the rubber bowl gasket on the base of the china bowl. Orient the QF waste pump assembly on the china bowl in the desired position. The waste pump can be oriented in any of the possible mounting positions that provides the best clearance from surrounding obstructions but is generally best positioned so it points to the rear of the toilet bowl. With the heads of the provided machine screws on the underside of the base and threads protruding through the flange of the china bowl, position the plastic washers next to the china to prevent it from becoming chipped and the stainless steel washers next to the nuts and secure the base to the bowl.

To make the water connection, shut off the water system pump and open one of the systems faucets or fixtures to drain the pressure from the system. Select an appropriate tee type fitting that can be installed in the existing pressurized water system and will provide a 1/2" (13 mm) hose barb to feed water to the toilet. Install the tee fitting at a location on the pressurized water system that provides convenient connection to the toilet's solenoid valve/siphon breaker assembly. If the toilet is being connected to the vessel's fresh water system and the vessel may be connected to an unregulated city water supply, it is recommended that a valve be installed in the toilet water supply line ahead of the solenoid valve/siphon breaker to regulate the flow rate of incoming pressurized city water.

The solenoid valve/siphon breaker should be positioned a minimum of six inches above the hose connection at the back of the toilet bowl and located as close to the toilet as possible. It should be located where an occasional drop or two of water from the siphon breaker will not adversely affect nearby equipment or supplies. It must be installed in a vertical position with the hose barb connections pointing down. The solenoid valve/siphon breaker bracket should be secured to a solid mounting surface with four screws. If the valve assembly is attached to a wood surface, 3/8" (10 mm) long screws are generally adequate to support the weight of the valve assembly. If desired, the valve assembly may be installed inside a cabinet or locker to conceal it from view of the vessel's occupants. To provide a clean sanitary appearance inside the head area, a six

foot section of smooth white hose is provided with the toilet to connect the toilet bowl spud fitting to the siphon breaker outlet hose barb.

The solenoid valve inlet hose barb is then connected with 1/2" (13 mm) reinforced vinyl hose suitable for pressurized water to the tee fitting installed in the water system line. All pressurized water system connections should be secured with stainless steel band type hose clamps. The hose connecting the siphon breaker to the bowl should be secured with a band clamp at the siphon breaker to prevent it from being accidentally dislodged but generally does not need a hose clamp to secure it to the bowl spud fitting unless desired for added security.

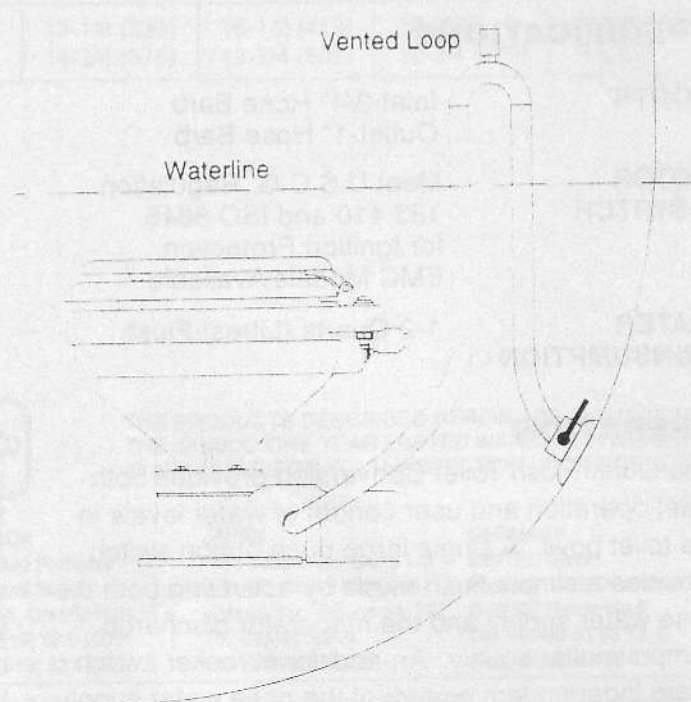
The discharge port includes a 1" (25 mm) hose barb and should be plumbed with 1" (25 mm) hose to an on board holding tank or, if appropriate, to an overboard discharge through hull. A 1" (25 mm) to 1-1/2" (38 mm) barbed hose adaptor is provided to adapt a 1" (25 mm) discharge hose to 1-1/2" (38 mm) hose, if desired. The discharge plumbing should be kept as short as possible and bends in the discharge hose should be kept to a minimum. To retain water in the bowl, the discharge hose should be looped upward about eight to ten inches above the base of the toilet and as near to the toilet as can be practically accomplished without creating an unsightly plumbing situation.



WARNING

Flood hazard. If toilet is installed below the waterline, it must be installed with a properly positioned vented loop in the discharge hose. Failure to do so can result in flooding which can cause loss of property and life.

If the toilet is below the water line and is plumbed to an overboard discharge through hull, the discharge plumbing must include a vented loop positioned so it remains above the water line at all angles of heel and trim. Total discharge head should not exceed 4 feet (1,2 M).



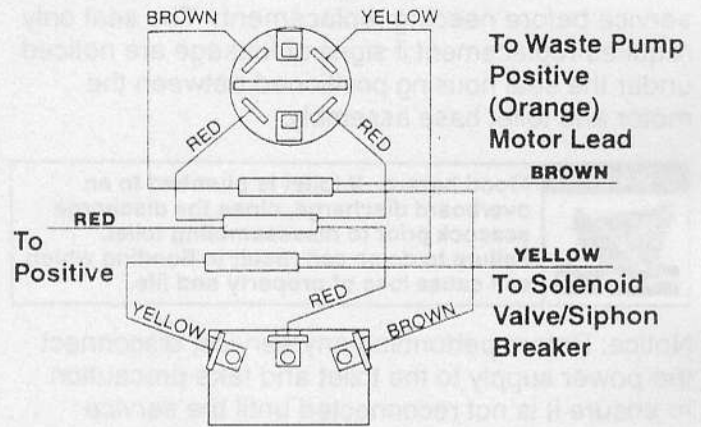
ELECTRICAL

The electrical wiring should be independent of all other accessories. It should be made with marine grade copper stranded wire of the gauge specified in the electrical specifications chart. Make all wire connections with mechanical locking type connectors (crimp type butt connectors and terminals). Ensure the circuit is protected by a proper sized fuse or circuit breaker determined from the electrical specifications chart. Secure all wires to a solid surface approximately every eighteen inches (1/2 M) along their entire length of run.

Wire the switch panel to the solenoid valve/siphon breaker and toilet pump assembly as per the following wiring diagram. Connect the brown lead from the panel to the waste pump positive (orange) lead. Connect the black waste pump motor lead to battery negative. Connect the yellow lead from the panel to a solenoid valve terminal. Connect the remaining solenoid valve terminal to battery negative. Select a location for the switch panel that is convenient to the toilet user and will also allow access to run the

wires from the switch panel to both the toilet's motor and the solenoid valve/siphon breaker as well as from the electrical power source to the switch panel. To install the switch panel, drill two 1-3/4" (45 mm) diameter holes (slightly over-lapping) through the selected switch mounting surface per the attached template. Ensure the template is oriented correctly because it is not symmetrical. Also, drill four appropriate sized holes for the fasteners selected to secure the switch panel to its mounting surface.

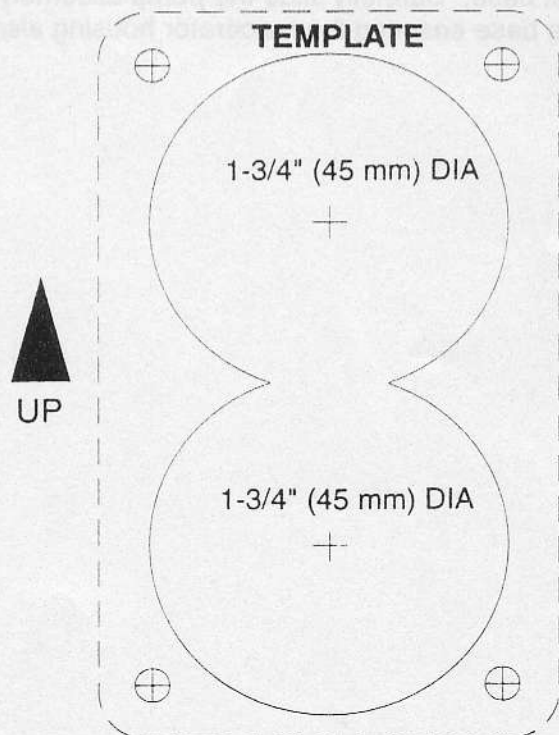
WIRING DIAGRAM



ELECTRICAL SPECIFICATIONS

VOLTAGE	AMP DRAW	FUSE SIZE	WIRE SIZE PER FEET OF RUN*				
			0'-10' (0 M-3 M)	10'-15' (3 M-4,6 M)	15'-25' (4,6 M-7,6 M)	25'-40' (7,6 M-12,2 M)	40'-60' (12,2 M-18,3 M)
12 Vdc	10	25	#16 (1,5 mm ²)	#14 (2,5 mm ²)	#12 (4 mm ²)	#10 (6 mm ²)	#8 (10 mm ²)
24 Vdc	5	15	#16 (1,5 mm ²)	#16 (1,5 mm ²)	#16 (1,5 mm ²)	#14 (2,5 mm ²)	#12 (4 mm ²)

* Length of run is total distance from power source to product and back to ground.



SERVICE

The Jabsco Quiet-Flush Toilet does not require routine maintenance other than occasional cleaning to maintain a hygienic sanitary condition. Clean toilet with mild non-abrasive cleaners *without strong aromatics*. Cleaners having high concentrations of aromatics such as pine scented concentrated cleaners and strongly scented degreaser concentrates can cause the pump's seal to swell and may contribute to a premature seal leak.

The toilet has no wearing parts that need periodic replacement other than the shaft seal which, under normal conditions, should provide several years of service before needing replacement. The seal only requires replacement if signs of leakage are noticed under the seal housing positioned between the motor and toilet base assembly.

WARNING



Flood hazard. If toilet is plumbed to an overboard discharge, close the discharge seacock prior to disassembling toilet. Failure to do so can result in flooding which can cause loss of property and life.

Notice: Before performing any service, disconnect the power supply to the toilet and take precaution to ensure it is not reconnected until the service is complete. Also, pump all water from the toilet bowl and if connected to an overboard discharge, close the discharge seacock.

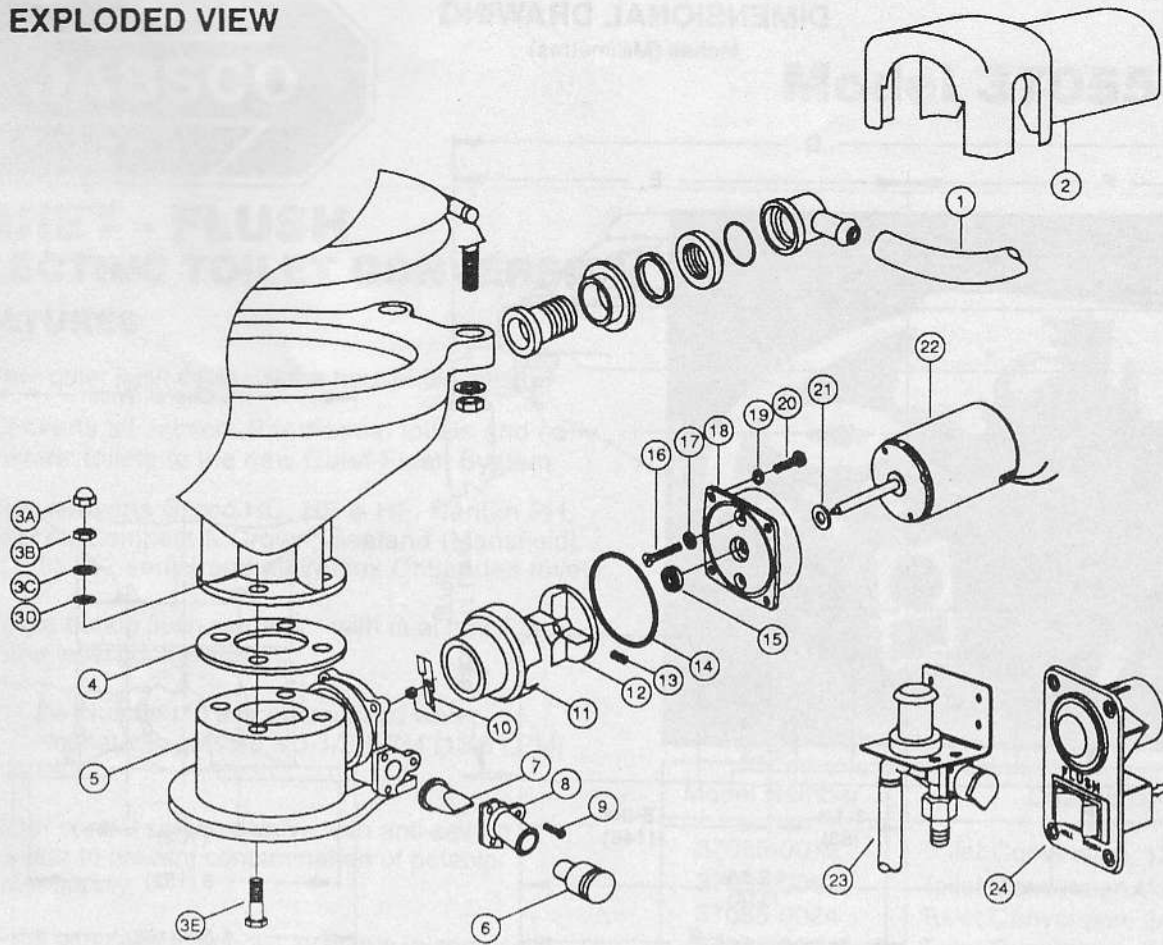
To replace the shaft seal, snap off the white motor cover and remove the pump assembly by removing the four screws with lock washers that secure it to the toilet base. Carefully slide the pump assembly from the base ensuring the macerator housing also

slides out of the base with the pump. The pump chopper will engage the macerator housing and it may be necessary to gently tap the chopper against the macerator housing to free it from the base. Prevent the motor shaft from turning by inserting a screwdriver in the shaft slot at the rear of the motor and unscrew the chopper. Remove the chopper, lock washer and macerator housing from the motor shaft. Remove the O-ring from the O-ring groove around the outer diameter of the seal housing. With an allen wrench, loosen the centrifugal impeller set screw and slide the impeller off the shaft. Remove the two screws that secure the seal housing to the motor and slide the housing off the motor shaft. Remove the two seal washers from under the head of each of the two seal housing retainer screws. With a pair of needle nose pliers grasp the shaft seal and pull it from the seal housing. Clean all parts and inspect for damage.

Lubricate the OD of the new seal with a small amount of water and press it into the seal bore with the seal's lip facing the threaded end of the shaft. *Do not use the stainless steel star retaining washer supplied with the seal.* Lubricate the ID of the seal and the motor shaft with a small amount of water resistant grease. Ensure the slinger is properly positioned on the motor shaft next to the motor and slide the seal housing onto the motor shaft until it is against the motor end bell. Position a new plastic seal washer under the head of each of the flat head seal housing retainer screws and secure the seal housing to the motor. Slide the centrifugal impeller on the motor shaft positioning it about 1/32" (1 mm) from the seal housing and secure it to the shaft with the set screw. Rotate the impeller to ensure it does not rub on the seal housing.

Slide the macerator housing over the motor shaft, place the lock washer on the end of the shaft and screw the chopper onto the shaft. Tighten the chopper while holding the motor shaft at the rear of the motor. Position a new O-ring in the seal housing O-ring groove (it may be retained in the groove with a small amount of grease). Slide the pump assembly into the toilet base ensuring the macerator housing is properly positioned within the base. The cut-out in the side of the macerator housing must align with the discharge port in the base (the macerator housing is keyed so it will only go in when properly positioned). Ensuring the O-ring is still properly positioned in the O-ring groove in the seal housing, place the pump assembly against the base and secure it in place with the four screws and lock washers. Replace the white motor cover by snapping it down over the pump motor.

EXPLODED VIEW



PARTS LIST

KEY	DESCRIPTION	PART#	QTY. REQ'D
1	Hose, 6 feet	29035-1031	1
2	Motor Cover	37042-1000	1
3	Bowl Installation Hardware	18753-0472	1
3A	Nut Cap**		4
3B	Hex Nut**		4
3C	Washer, Stainless Steel**		4
3D	Washer, Plastic**		4
3E	Hex Head Screw**		4
4	Gasket*	37017-0000	1
5	Base Assembly**	37004-1000	1
6	1-1/2" Adaptor, Discharge Port	98023-0080	1
7	Joker Valve* **	44106-1000	1
8	1" Discharge Port**	44107-1000	1
9	Screw**	96050-0568	3
10	Chopper Plate with Lock Nut	37056-1000	1
11	Macerator Housing	37014-0000	1
12	Centrifugal Impeller	37006-0000	1
13	Set Screw	91084-0320	1
14	O-ring*	43990-0066	1
15	Seal	1040-0000	1
16	Screw	91010-0144	2

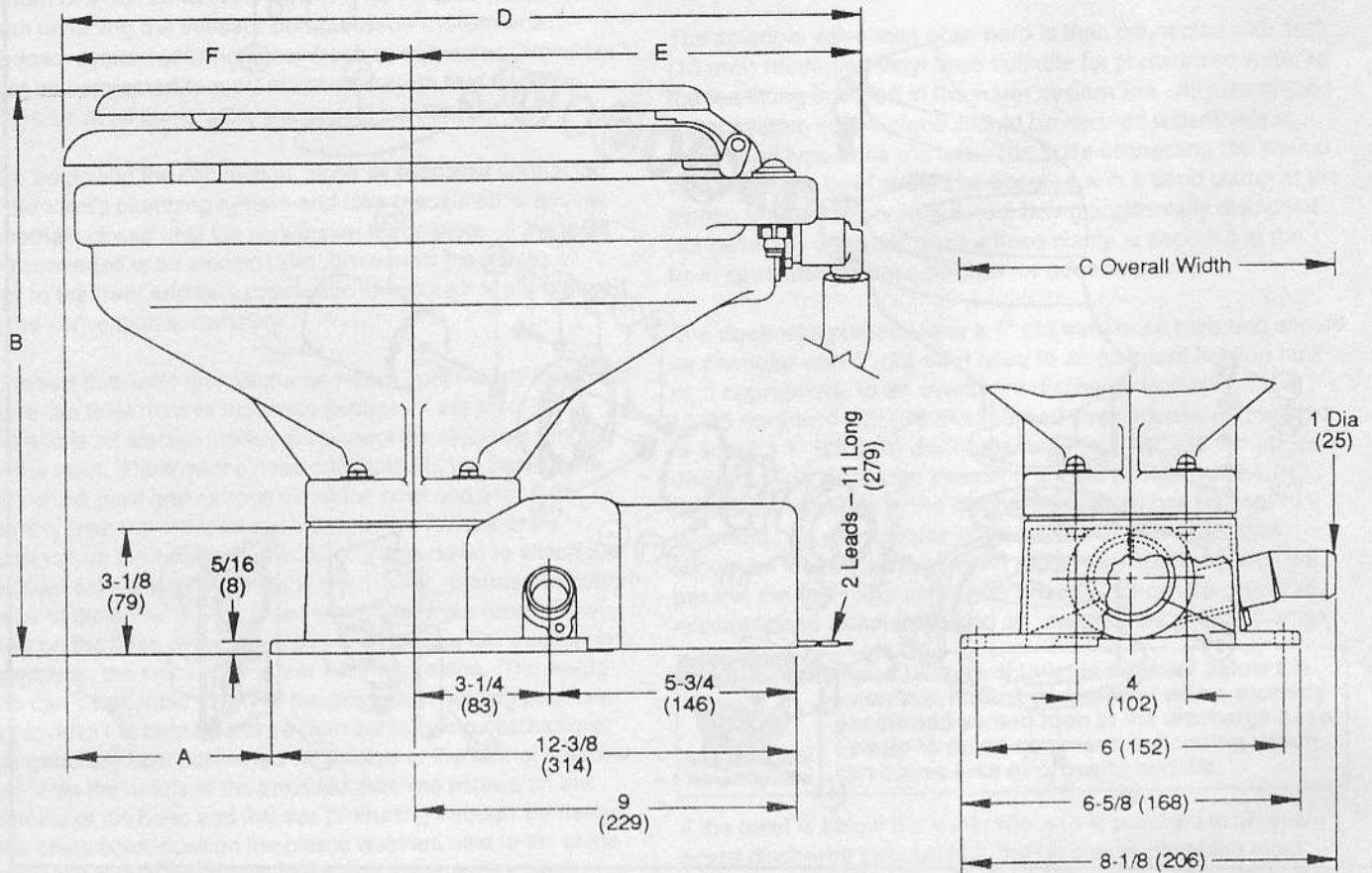
KEY	DESCRIPTION	PART#	QTY. REQ'D
17	Washer, Plastic*	35445-0000	2
18	Seal Housing	37043-1000	1
19	Lock Washer #10, Stainless Steel		4
20	Screw	91027-0011	4
21	Slinger	6342-0000	1
22	Motor - 12 Volt	18753-0554	1
	Motor - 12 Volt EMC	18753-0611	1
	Motor - 24 Volt	18753-0555	1
	Motor - 24 Volt EMC	18753-0612	1
23	Solenoid Valve & Siphon Breaker		
	12 Volt	37038-1012	1
	24 Volt	37038-1024	1
24	Switch Panel	37047-1000	1
	Service Kit	90197-0000	
	Motor & Pump Assembly		
	12 Volt	37072-0012	
	12 Volt EMC	37072-0092	
	24 Volt	37072-0024	
	24 Volt EMC	37072-0094	

* Parts Supplied with Service Kit.

** Parts included with base 37004-1000.

DIMENSIONAL DRAWING

Inches (Millimetres)



	A	B	C	D	E	F
COMPACT SIZE BOWL	3-1/8 (79)	14-1/8 (359)	13-1/8 (333)	16-1/2 (419)	10 (254)	6-1/2 (165)
HOUSEHOLD SIZE BOWL	4-5/8 (117)	14-1/8 (359)	14-3/4 (375)	19-3/4 (502)	10-3/4 (273)	9 (229)

ITT Jabsco

A Unit of ITT Fluid Technology Corporation



THE PRODUCTS DESCRIBED HEREIN ARE SUBJECT TO THE JABSCO ONE YEAR LIMITED WARRANTY, WHICH IS AVAILABLE FOR YOUR INSPECTION UPON REQUEST.

U.S.A.
 ITT Jabsco
 1485 Dale Way, P.O. Box 2158
 Costa Mesa, CA 92628-2158
 Tel: (714) 545-8251
 Fax: (714) 957-0609

UNITED KINGDOM
 ITT Jabsco
 Bingley Road, Hoddesdon
 Hertfordshire EN11 0BU
 Tel: +44 (0) 1992 450145
 Fax: +44 (0) 1992 467132

CANADA
 ITT Fluid Products
 55 Royal Road
 Guelph, Ontario N1H 1T1
 Tel: (519) 821-1900
 Fax: (519) 821-2569

JAPAN
 NHK Jabsco Company Ltd.
 3-21-10, Shin-Yokohama
 Kohoku-Ku, Yokohama, 222
 Tel: 045-4758906
 Fax: 045-475-8908

GERMANY
 MINTEC GmbH
 Postfach 1703/Oststrasse 28
 D-22807 Norderstedt
 Tel: +49-40-53 53 73 -0
 Fax: +49-40-53 53 73 -11