



Models 36760-0115-Flangemount 36760-0220-Flangemount 36770-0115-Flexmount 36770-0220-Flexmount

CONTINUOUS DUTY 4" BLOWER

- 115 VOLT AC, 60 Hz
- 220 VOLT AC, 50 Hz

FEATURES

- Extended Life Induction Motor
- Tough Reinforced Thermoset Plastic Housing
- Continuous-Duty Motor with Thermal Overload Protection
- Flangemount Mounts To Any Flat Surface
- Flexmount Universal Bracket Permits Outlet to Face Any Direction
- Slip-On Inlet Ducting Connection
- Efficient High Volume Air Flow
- Low Current Draw
- Corrosion-Resistant Materials Throughout

APPLICATION

The Jabsco AC blowers are ideal for ventilating equipment areas. They may also be used for engine room ventilation on vessels with **diesel powered engines only**. THIS BLOWER IS NOT IGNITION PROTECTED. DO NOT USE TO EXHAUST FLAMMABLE VAPORS SUCH AS GASOLINE FUMES OR MOUNT IN AN AREA WHICH MAY CONTAIN FLAMMABLE VAPORS. The blower is also suitable for general air circulation when AC power consumption is preferred.

FLANGEMOUNT Installation

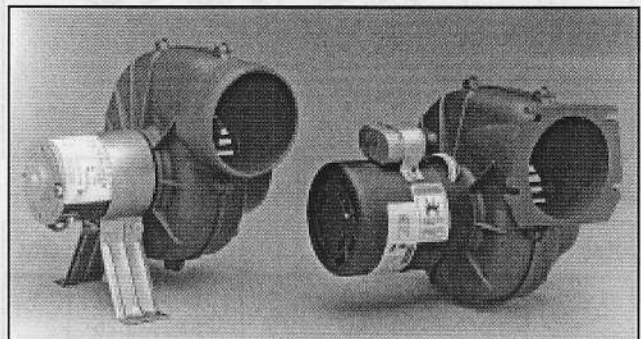
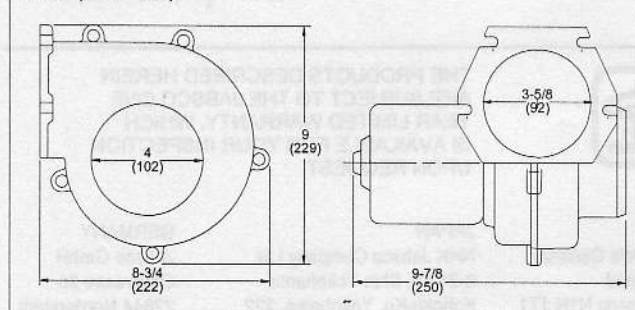
The blower housing flange should be mounted on a flat bulkhead surface. Selection of a dry cool location will prolong motor life. When location is selected, cut a 3-5/8" hole through bulkhead to align with discharge port of blower. Secure discharge port flange to bulkhead using #10 screws and flat washers. Tighten screws evenly to avoid flange damage.

FLANGEMOUNT Specifications

Model	Air Flow	Voltage	Amps	Fuse Size	Weight lb (kg)
36760-0115	250 CFM (7,0 m ³ /min)	115 AC 60 Hz	1.5	2A AGC	8 lb
36760-0220	200 CFM (5,6 m ³ /min)	220 AC 50 Hz	.35	.5A AGC	(3.6 kg)

DIMENSIONAL DRAWING - Flangemount

Inches (Millimeters)



FLANGEMOUNT FLEXMOUNT

WARNING



Explosion hazard. Motor can spark. Explosion & death can occur. Do not use where flammable vapors are present.

WIRING

All wiring should be done by a qualified electrician and conform with regulations. A minimum of 16 gauge THW wire should be used for lengths of up to 50 feet from the power source. A separate ground wire should be secured to the grounding wire attached to the motor case and connected to a common ground. A switch of minimum 2 Amp rating may also be installed in the hot electrical lead (between breaker and blower) to control blower operation. The neutral conductor should be connected directly from the neutral buss to the blower motor.

WIRE COLOR CODE

Models	Ground (earth)	Common (neutral)	Line (positive)
115 Volt	green	white	black
220 Volt	green/yellow	blue	brown

FLEXMOUNT Installation

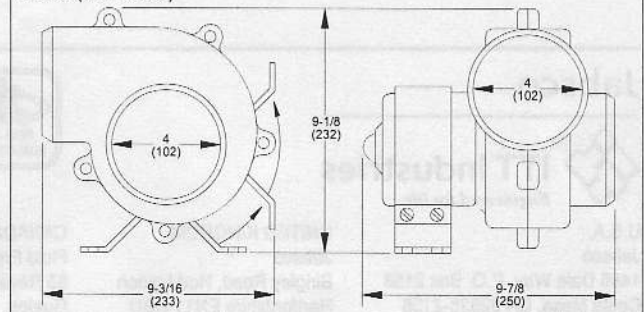
Mount blower on flat bulkhead surface in highest part of compartment free from spray or deck wash. Blower may be rotated in mounting bracket to facilitate the shortest route of ducting.

FLEXMOUNT Specifications

Model	Air Flow	Voltage	Amps	Fuse Size	Weight lb (kg)
36770-0115	250 CFM (7,0 m ³ /min)	115 AC 60 Hz	1.5	2A AGC	9 lb
36770-0220	200 CFM (5,6 m ³ /min)	220 AC 50 Hz	.35	.5A AGC	(4.1 kg)

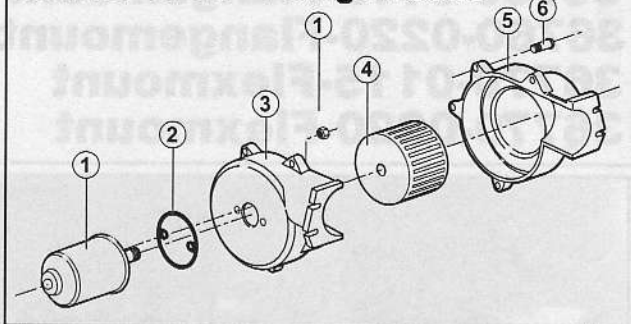
DIMENSIONAL DRAWING - Flexmount

Inches (Millimeters)

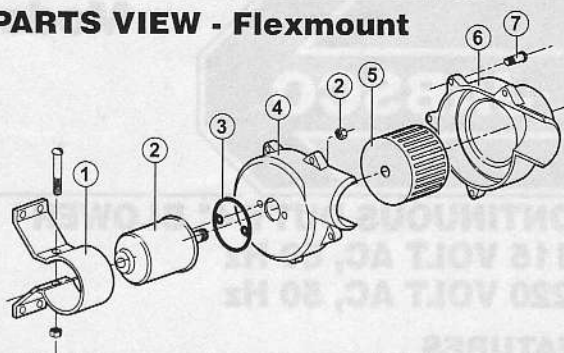


Models 36760-0115,-0220 & 36770-0115,-0220

PARTS VIEW - Flangemount



PARTS VIEW - Flexmount



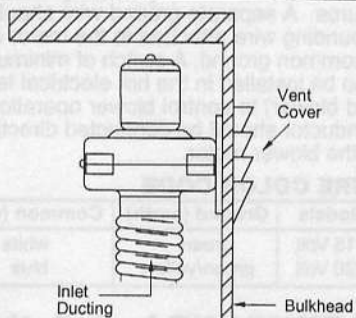
PARTS LIST - Flangemount

Key	Part Description	Part Number	Qty.
1	Motor Kit 115 VAC Motor Kit 220 VAC (includes mounting nuts)	18753-0607 18753-0625	1
2	Gasket		1
3	Blower Housing	35706-0000	1
4	Blower Wheel	35714-0000	1
5	Blower Housing	35705-0000	1
6	Screw 8 x 5/8 SS Self Tapping Pan Head	35508-0000	5

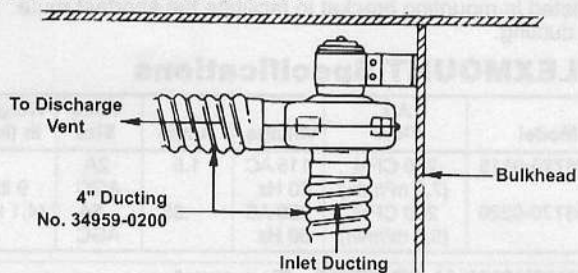
PARTS LIST - Flexmount

Key	Part Description	Part Number	Qty.
1	Bracket Assembly (includes screw & nut)	35595-1000	1
2	Motor Kit 115 VAC Motor Kit 220 VAC (includes mounting nuts)	18753-0607 18753-0625	
3	Gasket		1
4	Blower Housing	35645-0000	1
5	Blower Wheel	35714-0000	1
6	Blower Housing	35644-0000	1
7	Screw 8 x 5/8 SS Self Tapping Pan Head	35508-0000	5

Flangemount INSTALLATION DRAWING

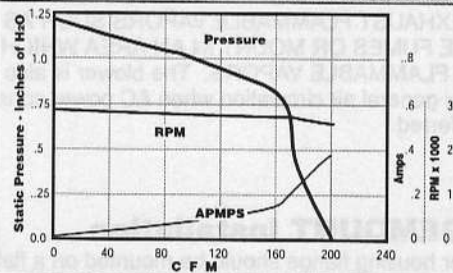


Flexmount INSTALLATION DRAWING



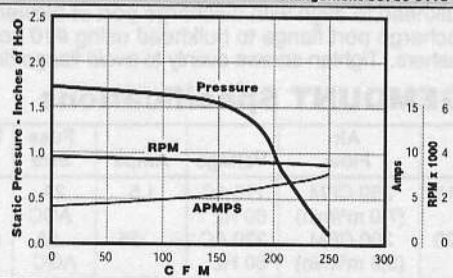
Tested At 220VAC

Flexmount 36760-0220
Flangemount 36770-0220



Tested At 115VAC

Flexmount 36770-0115
Flangemount 36760-0115



Maximum Static Pressure - 1.7 in. H₂O (115 VAC)
1.2 in. H₂O (220 VAC)

Jabsco



ITT Industries
Engineered for life



THE PRODUCTS DESCRIBED HEREIN
ARE SUBJECT TO THE JABSCO ONE
YEAR LIMITED WARRANTY, WHICH
IS AVAILABLE FOR YOUR INSPECTION
UPON REQUEST.

U.S.A.
Jabsco
1485 Dale Way, P.O. Box 2158
Costa Mesa, CA 92628-2158

UNITED KINGDOM
Jabsco
Bingley Road, Hoddesdon
Hertfordshire EN11 0BU

CANADA
Fluid Products Canada
55 Royal Road
Guelph, Ontario N1H 1T1

JAPAN
NHK Jabsco Company Ltd.
3-21-10, Shin-Yokohama
Kohoku-Ku, Yokohama, 222

GERMANY
Jabsco GmbH
Oststrasse 28
22844 Norderstedt