

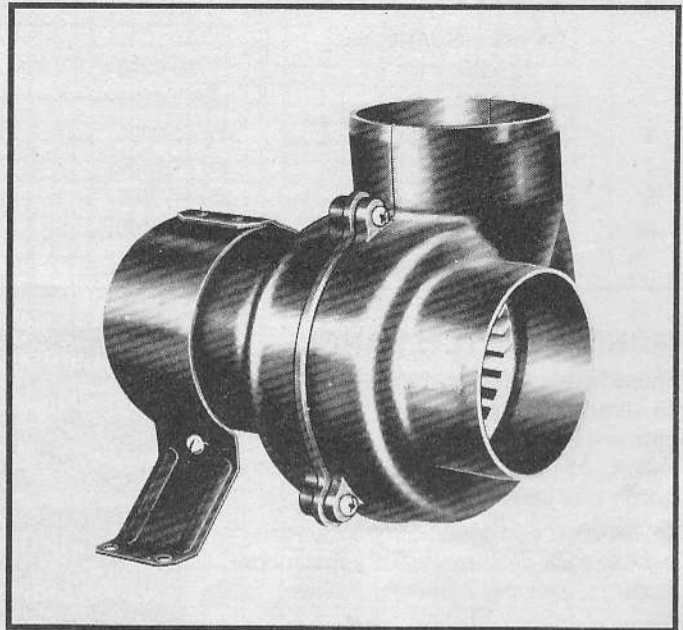


# Model 35440-Series

## FLEXMOUNT 4" BLOWERS

### FEATURES

- ❑ Tough Reinforced Plastic Housing
- ❑ Universal Flexmount Bracket Permits Outlet to Face Any Direction
- ❑ Slip-On Inlet Ducting Connection
- ❑ Efficient High Volume Air Flow
- ❑ Low Current Draw
- ❑ Corrosion-Resistant Materials Throughout
- ❑ N.M.M.A. Type Accepted
- ❑ Meets Requirements of Title 33, Part 183; Subpart I, USCG Electrical Regulations.



Model 35440-Series

### INSTALLATION

**INSTALLATIONS MUST MEET APPLICABLE SECTIONS OF TITLE 33, PART 183; SUBPART K, USCG VENTILATION REGULATIONS.**

**MOUNTING:** Mount blower on flat bulkhead surface in highest part of compartment free from spray or deck wash. Blower may be rotated in mounting bracket to facilitate the shortest route of ducting. Use a suitable discharge fitting so that static pressure of blower will not be affected by change in wind direction. Route inlet ducting with as few bends as possible to lower 1/3 of the bilge compartment where vapors are likely to accumulate. Be sure ducting is positioned below top of engine stringers but not so low as to become submerged in bilge water. Locate pickup to take advantage of natural air flow direction.

**NOTICE:** Blower should be mounted away from extreme heat (more than 130°F) to prevent distortion of blower wheel or housing.

**OPERATION:** See following warning placard statement:



**Gasoline vapors can explode. Before starting engine, operate blower for 4 minutes and check engine compartment bilge for gasoline vapors. Run blower below cruising speed. Failure to do so may result in injury or death.**

THE "WARNING" PLACARD SUPPLIED WITH BLOWER MUST BE MOUNTED ADJACENT TO ENGINE IGNITION SWITCHES (ALL LOCATIONS) TO COMPLY WITH TITLE 33, PART 183; SUBPART K, USCG VENTILATION REGULATIONS.\*

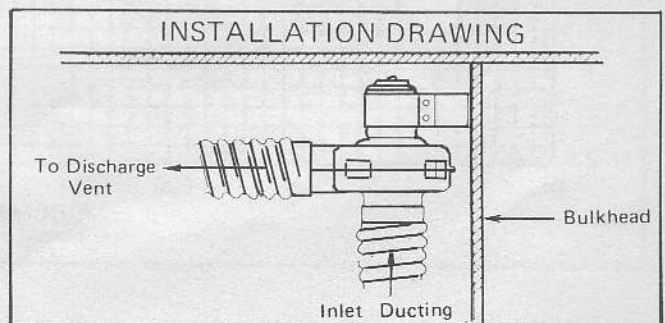
\*Additional warning placards are available from factory by requesting form 43003-0418.

### SPECIFICATIONS

Model	Air Flow	Volts	Amps	Fuse Size	Weight lbs
35440-0000	250 CFM (7.0m <sup>3</sup> /min)	12 DC	12.0	15 A	7.0 (3.2 kg)
35440-0010	250 CFM (7.0m <sup>3</sup> /min)	24 DC	5.3	7-1/2 A	7.0 (3.2 kg)

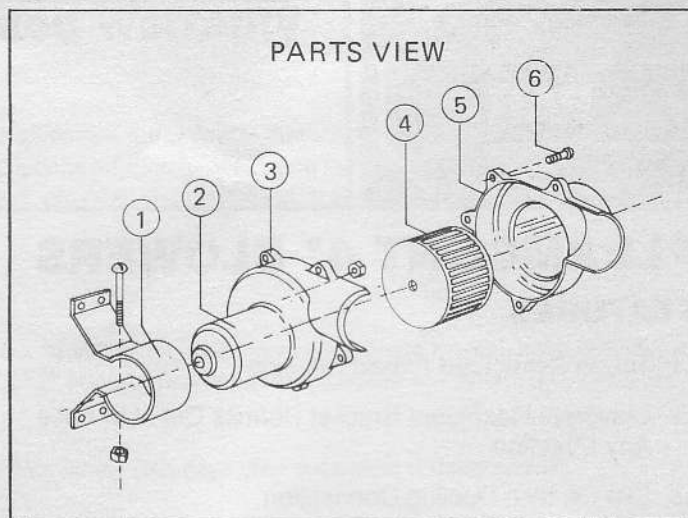
PAR blowers are primarily intended for intermittent duty cycles such as evacuating fuel vapors from bilge areas. If desired, they also may be used for other general air circulation applications with longer duty cycles. It should be noted that the maximum motor life is approximately 1000 hours. Therefore, the blower should only be used for applications if this length of service is acceptable.

**WIRING:** Use stranded copper wire. For lengths up to 25 feet (7.6m) from power source: Use 12 gauge wire for 12 volt, 14 gauge wire for 24 volt, and 16 gauge wire for 32 volt model models. Use larger wire for longer lengths. Use a 10 amp rated on-off switch in positive side of circuit (PAR Model 44960-0002 or 44960-0003). Circuit must be protected with a fuse. Suggested fuse sizes are listed in the specification table.



## PARTS LIST

Key	Part Description	Part Number	Qty.
1	Bracket Assembly (includes screw & nut)	43899-0000	1
2	Motor Kit (includes mounting nuts)		1
	12 VDC	18753-0320	
	24 VDC	18753-0321	
3	Blower Housing	35645-0000	1
4	Blower Wheel	35714-0000	1
5	Blower Housing	35644-0000	1
6	Screw 8 x 5/8 SS Self Tapping Pan Head	35508-0000	5



## MARINE SWITCH PANELS

These rocker switch panels are available in an attractive black textured finish. Select between two models with or without illumination. All lighted models are complete with silicon seal boot.

44960-0002 and 44960-0003 include durable stick-on labels for all popular boat systems. Includes mounting screws.

MODEL	# POSITION	ELEC. RATING
44960-0002	2(on, off lighted)	25 amps/12 Vdc
44960-0003	2(on, off unlighted)	25 amps/6-32 Vdc 15 amps/110 Vac

BILGE PUMP

BILGE BLOWER

GALLEY PUMP

SHOWER PUMP

SEARCHLIGHT

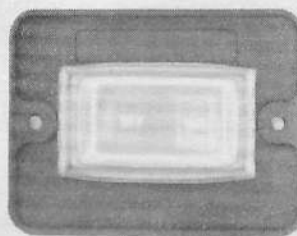
LIVWELL PUMP

CLUTCH PUMP

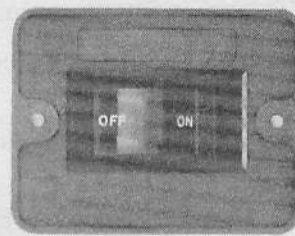
HOLDING TANK PUMP

BILGE PUMP

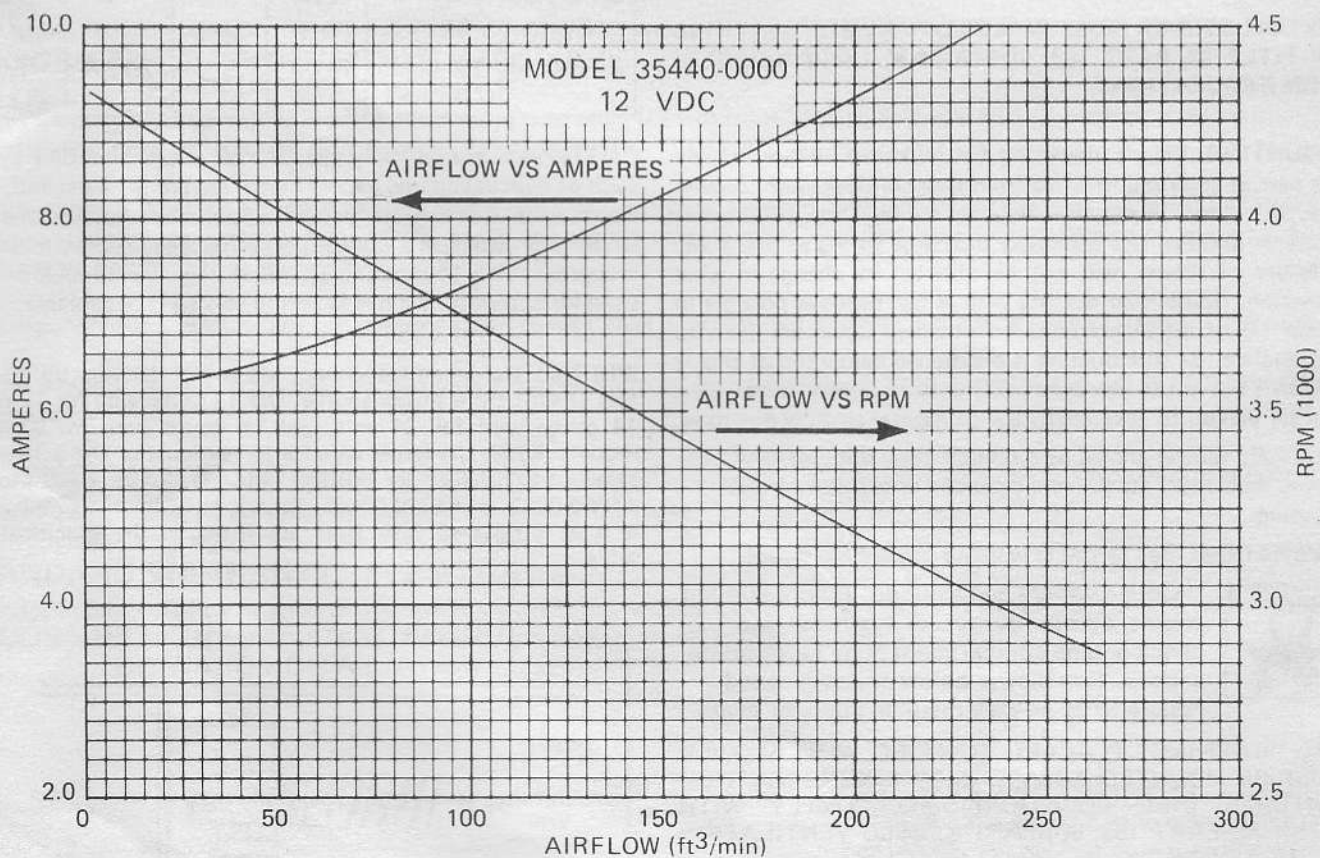
## PAR MARINE SWITCH PANELS



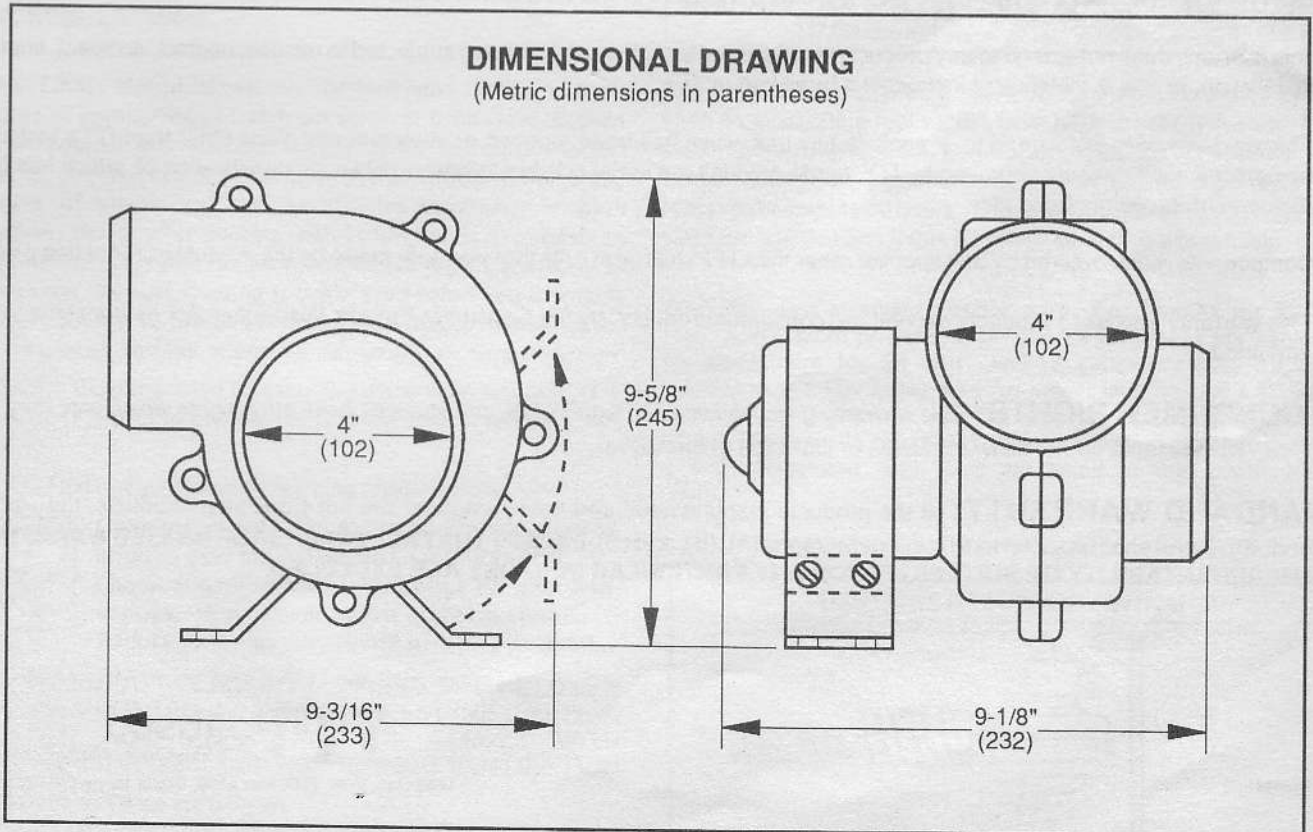
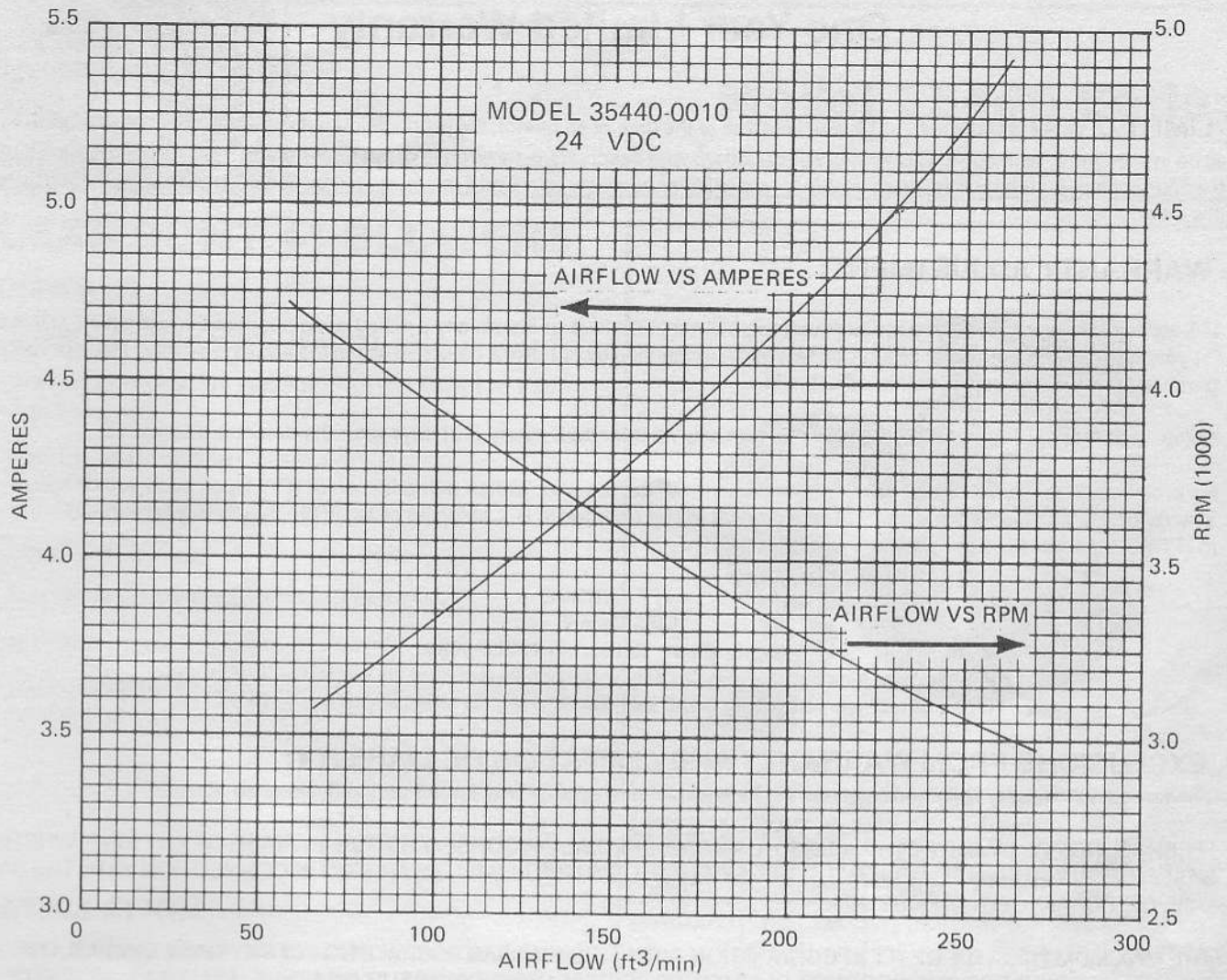
44960-0002  
LIGHTED SWITCH  
W/BOOT SPST



44960-0003  
UNLIGHTED  
SPST







# One Year Limited Warranty

**A. LIMITED WARRANTY:** ITT warrants that at the time of shipment, the products manufactured by ITT and sold hereunder shall be in conformity with applicable written specifications and descriptions referred to or set forth herein, free from defects in material and workmanship, merchantable, and suitable for a particular purpose, provided such is implied by State law under the circumstances of this sale.

## **B. WARRANTY ADJUSTMENT:**

1. ITT agrees to repair or furnish a replacement for, but not to remove or install, any product or component thereof which, within one (1) year from date of purchase, shall upon test and examination by ITT prove defective within the above warranty. Receipt verifying purchase date is required to obtain adjustment.
2. Buyer shall notify ITT of any defect within this warranty no later than ninety (90) days after the defect is discovered.
3. No product will be accepted for return or replacement without the prior written authorization of ITT. Upon such authorization, and in accordance with instructions from ITT, the product will be returned to ITT, shipping charges prepaid by Buyer. Products returned to ITT will be addressed as follows:

**ITT JABSCO**  
1485 Dale Way  
Costa Mesa, California 92626-3998

Or to such alternate locations as may be designated on the product, its container, or this sheet.  
Repair or replacement made under this warranty will be shipped prepaid to Buyer.

## **C. EXCLUSIONS FROM WARRANTY AND LIMITATION OF LIABILITY:**

1. The foregoing warranty is limited solely as set forth herein and applies only for the period designated above.
2. ITT SHALL NOT BE LIABLE FOR ANY LOSS, DAMAGE, SPECIAL OR CONSEQUENTIAL DAMAGE OF ANY KIND, WHETHER BASED UPON WARRANTY, CONTRACT, NEGLIGENCE, OR STRICT LIABILITY ARISING IN CONNECTION WITH THE SALE, USE, OR REPAIR OF THE PRODUCT.
3. THE MAXIMUM LIABILITY OF ITT IN CONNECTION WITH THIS WARRANTY SHALL NOT IN ANY CASE EXCEED THE CONTRACT PRICE FOR THE PRODUCT CLAIMED TO BE DEFECTIVE OR UNSUITABLE.
4. This warranty does not extend to any product manufactured by ITT which has been subjected to misuse, neglect, accident, improper installation, or use in violation of instructions furnished by ITT.
5. This warranty does not extend to or apply to any unit which has been repaired or altered at any place other than ITT's factory, or by persons not expressly approved by ITT, nor to any unit the serial number, model number, or identification of which has been removed, defaced or changed.
6. Components manufactured by any supplier other than ITT shall bear only that warranty made by the manufacturer of that product.
7. This warranty applies to products defined as "consumer products" by the Consumer Product Warranties Act as from time to time amended.

**D. CONSUMER RIGHTS:** This warranty gives you specific legal rights, and you may have other rights which vary from state to state. Some states do not allow exclusion or limitation of damages.

**STANDARD WARRANTY:** If the products manufactured and sold hereunder are not Consumer Products, the warranty extended to Buyer shall be as set forth in subparagraphs (A), (B), and (C), **EXCEPT THAT ALL EXPRESS OR IMPLIED WARRANTIES OR MERCHANTABILITY OR SUITABILITY FOR ANY PARTICULAR PURPOSE ARE EXCLUDED.**

**ITT Jabsco**

ITT Fluid Technology Corporation  
1485 Dale Way, P.O. Box 2158, Costa Mesa, CA 92628-2158  
Tel: (714) 545-8251; Fax: (714) 957-0609  
Bingley Road, Hoddesdon, Hertfordshire EN11 0BU England  
Tel: 0992-467191; Tlx: 263251 G; Fax: 0992-467132