



Model 35000-7100

FLANGEMOUNT BLOWER 115 VOLT AC

FEATURES

- Tough Reinforced Plastic Housing
- Continuous-Duty Motor
- Mounts To Any Flat Surface
- Slip-On Inlet Ducting Connection
- Efficient High Volume AirFlow
- Low Current Draw
- Corrosion-Resistance Materials Throughout
- Thermal Overload Protection

SPECIFICATIONS

AirFlow: 150 ft³/min.
(4,2 m³/min.)

Voltage: 115 Vac

Amps: 1.1 Amp

Weight: 5.5 lb (2,5 kg)

APPLICATION

The Jabsco 115 Vac blower is ideal for ventilating equipment areas. **WARNING: THIS BLOWER IS NOT IGNITION PROTECTED. DO NOT USE TO EXHAUST FLAMMABLE VAPORS SUCH AS GASOLINE FUMES OR MOUNT IN AN AREA WHICH MAY CONTAIN FLAMMABLE VAPORS. FAILURE TO FOLLOW WARNING CAN RESULT IN PROPERTY DAMAGE, PERSONAL INJURY OR DEATH.** The blower is also suitable for general air circulation when 115 Vac power consumption is preferred.

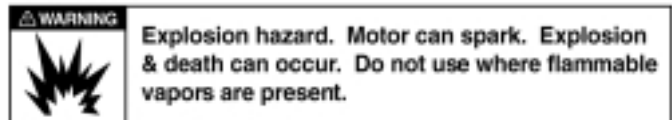
INSTALLATION

MOUNTING: The blower housing flange should be mounted on a flat surface. Selection of a dry cool location will prolong motor life. When location is selected, cut a 3-5/8" hole through bulkhead to align with discharge port of blower. Secure discharge port flange to wall using #10 screws and flat washers. Tighten screws evenly to avoid flange damage. Use a suitable location so blower static pressure will not be effected by external wind conditions. If 4" ducting is used to direct air to the blower inlet, route the ducting with as few bends as possible.

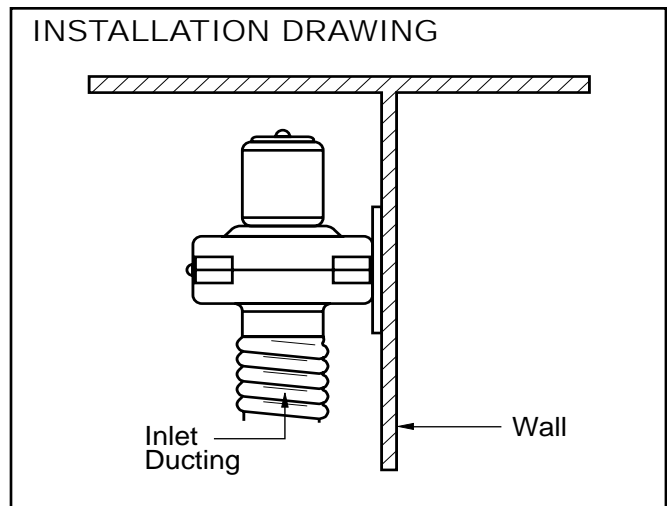
NOTICE: Blower should be mounted away from extreme heat (more than 130°F) to prevent distortion of blower wheel or housing.



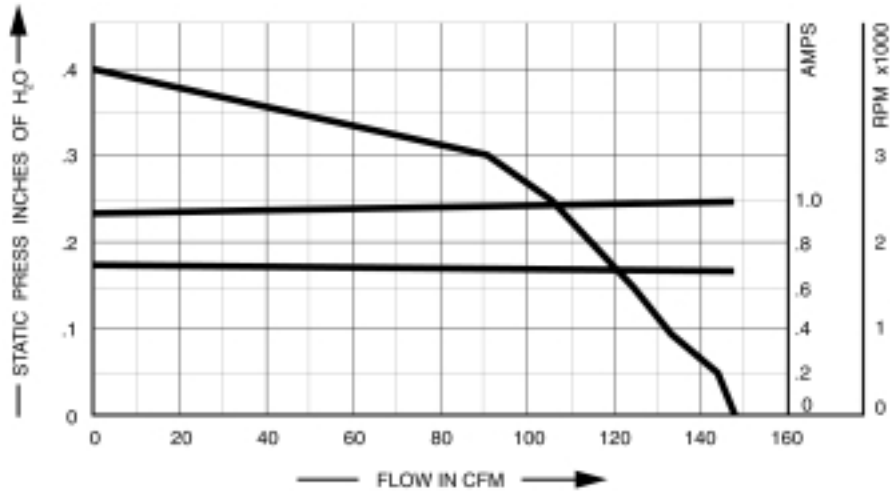
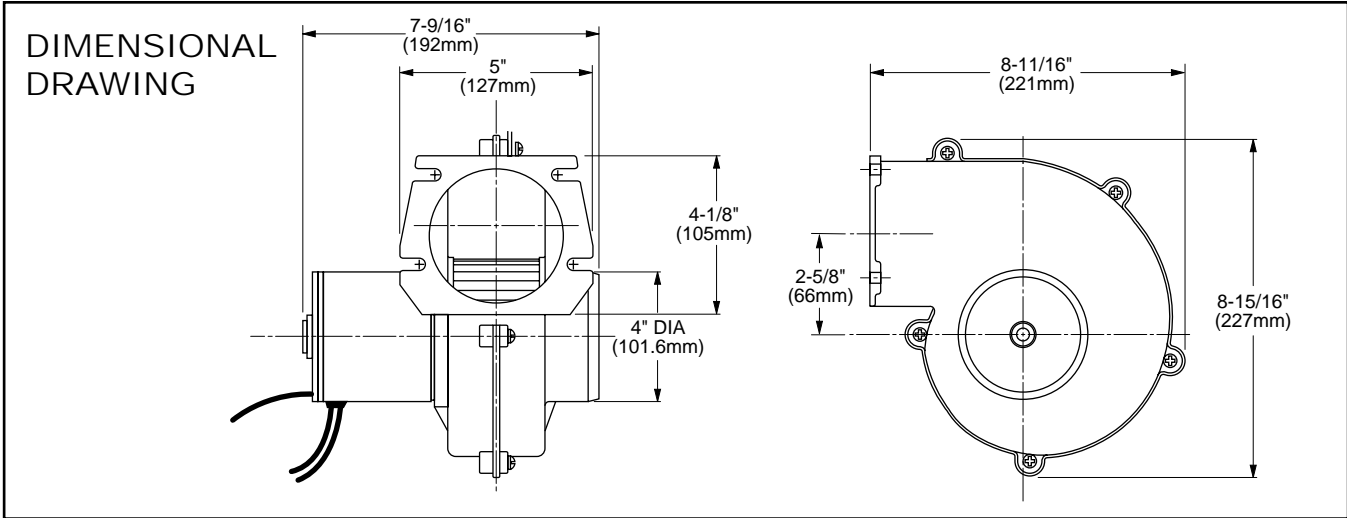
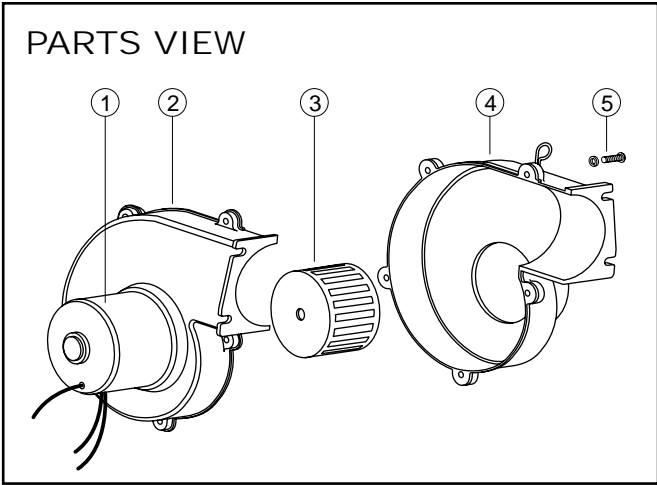
Model 35000-7100



WIRING: All wiring should be done by a qualified electrician and conform with regulations. A minimum of 16 gauge THW wire should be used for lengths of up to 50 feet from the power source. A separate ground wire (green) should be secured to the grounding wire attached to the motor case and connected to a common ground.



PARTS LIST			
Key	Part Description	Part No.	Qty.
1	Motor Kit 115 Vac With Mounting Screws	18753-0454	1
2	Blower Housing	35706-0002	1
3	Blower Wheel	35714-0000	1
4	Blower Housing	35705-0000	1
5	Screw 8 x 5/8 SS Self Tapping Pan Head	35508-0000	5



Jabsco



THE PRODUCT DESCRIBED HEREIN IS SUBJECT TO THE JABSCO ONE YEAR LIMITED WARRANTY, WHICH IS AVAILABLE FOR YOUR INSPECTION UPON REQUEST.

U.S.A.
Jabsco
1485 Dale Way, P.O. Box 2158
Costa Mesa, CA 92628-2158
Tel: (714) 545-8251
Fax: (714) 957-0609

UNITED KINGDOM
Jabsco
Bingley Road, Hoddesdon
Hertfordshire EN11 OBU
Tel: +44 (0) 1992 450145
Fax: +44 (0) 1992 467132

CANADA
Fluid Products Canada
55 Royal Road
Guelph, Ontario N1H 1T1
Tel: (519) 821-1900
Fax: (519) 821-2569

JAPAN
NHK Jabsco Company Ltd.
3-21-10, Shin-Yokohama
Kohoku-Ku, Yokohama, 222
Tel: 045-4758906
Fax: 045-475-8908

GERMANY
Jabsco GmbH
Oststrasse 28
22844 Norderstedt
Tel: +49-40-53 53 73 -0
Fax: +49-40-53 53 73 -11