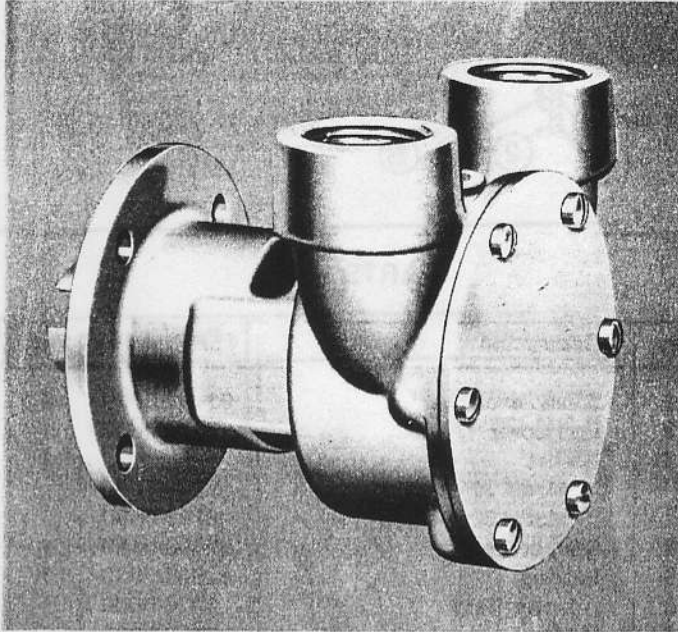


JABSCO® PUMPS

SELF-PRIMING PUMPS

MODEL 3270-0001 3270-0003

PRODUCT DATA



DESIGN FEATURES

Body:	Bronze
Impeller:	Jabasco Neoprene Compound
Shaft:	Stainless Steel
Shaft Seal:	Lip Type
Ports:	3/4" NPT
Weight:	4 Lbs. (1.8 Kg) Approx.

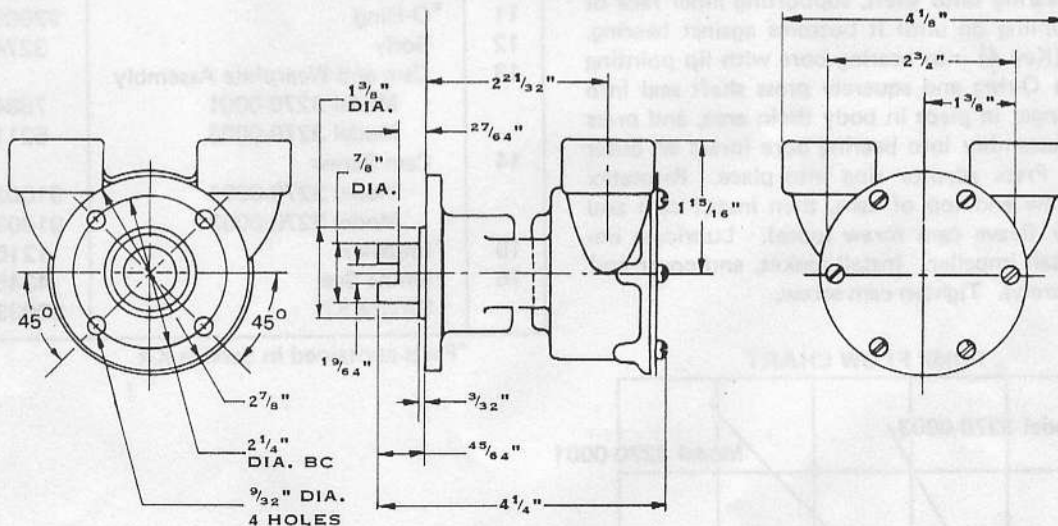
APPLICATION

Marine Engine Cooling

Perkins Model 4-107: use 3270-0001
Unimite Model HF: use 3270-0003

MODEL 3270-0001
3270-0003

DIMENSIONAL DRAWING



INSTALLATION INSTRUCTIONS

Engage shaft with drive tang, making sure flange seats squarely on mounting surface, and bolt to engine. Connect inlet and outlet fittings using pipe compound to seal threads.

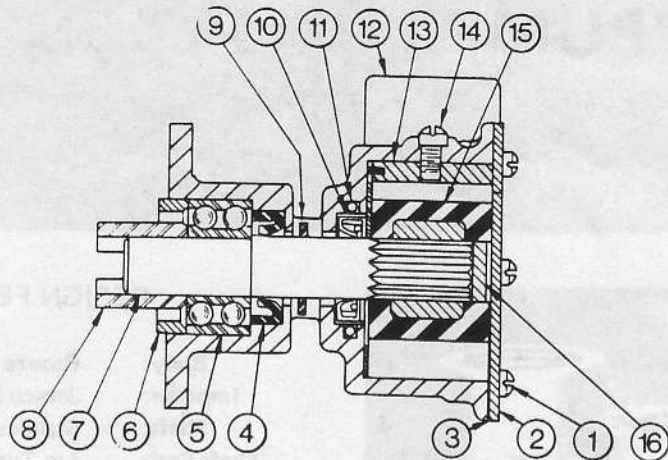
OPERATING INSTRUCTIONS

Pump will self prime at low or high speeds. Make sure scoop and inlet are clear and all connections airtight. Do not run pump dry for more than 30 seconds. Lack of water flow may damage impeller. To drain pump, loosen end cover screws.

JABSCO PRODUCTS **ITT**

Form 43000-0152 Rev. 7-74

CROSS SECTION VIEW



MODEL 3270-0001, -0003

SERVICE INSTRUCTIONS

Impeller Replacement: Remove end cover and gasket. Pull impeller out by grasping hub with pliers. A light coating of grease in impeller bore will aid priming on dry startup. Replace impeller, gasket and end cover.

Major Repair: Remove pump from engine to replace seal, bearings or shaft.

Disassembly: Remove end cover, gasket and impeller as outlined above. Press on impeller end of shaft to remove adaptor ring (Key 6) and shaft and bearing assembly. Remove cam and wearplate assembly (clean off Permatex). Use screwdriver to pry bearing seal out of bearing bore. Press shaft seal (Key 10) out toward impeller bore. Remove O-ring (Key 11). Supporting inner race of bearing, press bearing and coupling off shaft. Inspect and replace all worn parts.

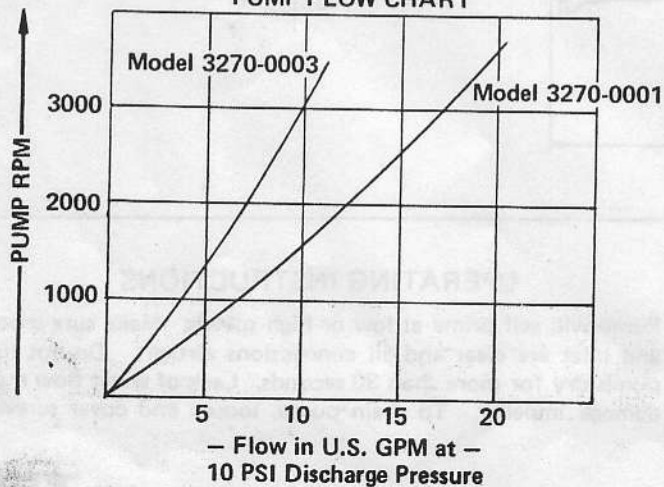
Assembly: Press bearing onto shaft, supporting inner race of bearing. Press coupling on until it bottoms against bearing. Press bearing seal (Key 4) into bearing bore with lip pointing outward. Replace O-ring and squarely press shaft seal into seal bore. Hold slinger in place in body drain area, and press shaft and bearing assembly into bearing bore (press on outer race of bearing). Press adaptor ring into place. Permatex threads of cam screw and top of cam, then install cam and wearplate assembly (leave cam screw loose). Lubricate impeller bore and install impeller. Install gasket, end cover and tighten end cover screws. Tighten cam screw.

PARTS LIST

Key	Description	Part Number	Qty.
1	Screw, end cover	91002-0020	6
2	End Cover	3275-0000	1
3	*Gasket		1
	Model 3270-0001	3298-0000	
	Model 3270-0003	5212-0000	
4	Seal, bearing	92700-0180	1
5	Bearing	92600-0070	1
6	Adaptor Ring	3276-0000	1
7	Shaft	3277-0000	1
8	Coupling	3278-0000	1
9	Slinger	3286-0000	1
10	*Seal, shaft	92700-0060	1
11	*O-Ring	92000-0210	1
12	Body	3274-0000	1
13	Cam and Wearplate Assembly		1
	Model 3270-0001	7884-0000	
	Model 3270-0003	5211-0000	
14	Cam Screw		1
	Model 3270-0001	91003-0010	
	Model 3270-0003	91003-0090	
15	*Impeller	1210-0001	1
16	Spline Seal	4345-0000	1
	Service Kit	90033-0001	

*Parts contained in Service Kit

PUMP FLOW CHART



JABSCO PRODUCTS **ITT**

Marine and Recreation Components Division
International Telephone and Telegraph Corporation
1485 Dale Way, Costa Mesa, California 92626

Telephone: (714) 545-8251