



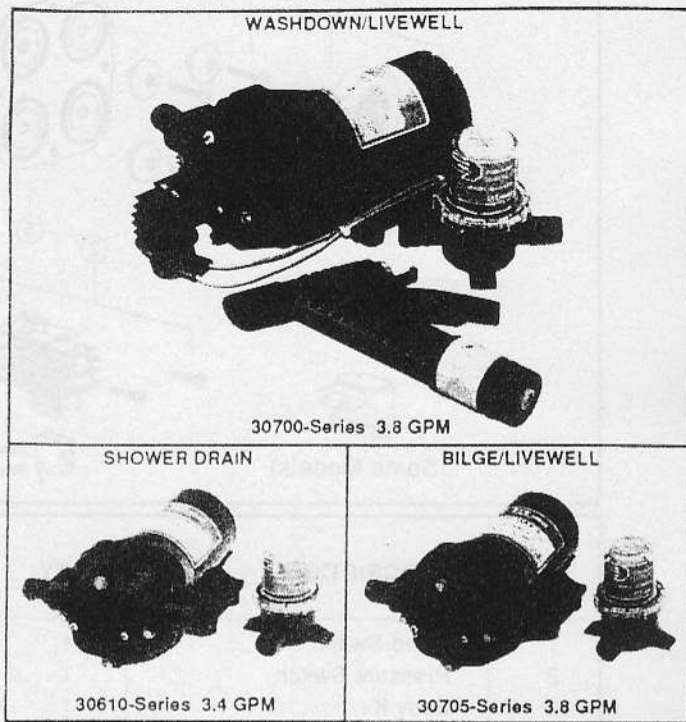
Models PAR-MAX3
30610-Series
 SHOWER DRAIN 3.4 GPM

PAR-MAX4
30700-Series
 WASHDOWN/LIVEWELL 3.8 GPM
30705-Series
 BILGE/LIVEWELL 3.8 GPM

PAR-MAX3 • PAR-MAX4

FEATURES

- Self-Priming
- Run Dry Ability
- Easy Installation
- Snap-in Port Fittings (3/4" or 1/2" Hose)
- Pumpgard Strainer included
- Matched Spray Nozzle (30700-Series)
- Super Quiet
- Smooth Flow
- Waterproof Coating (30700/30705-Series)
- Sealed Pressure Switch (30700-Series)



Models 30610-Series, 30700-Series, 30705-Series

GENERAL APPLICATIONS

30700-series – High velocity pump for anchor and general deck washdown. Compact size with matched hi-output spray nozzle. Corrosion resistant coated motor and sealed pressure switch for fresh or salt water use. Also great for continuous duty operation in livewell applications.

30705-series – For bilge/livewell applications that do not require a pressure switch. Low amp draw, can run dry and super quiet.

30610-series – Compact, self-priming pump for shower drain applications. Run dry without damage. Pump shower and grey water. Inlet and outlet ports fit 3/4" hose.

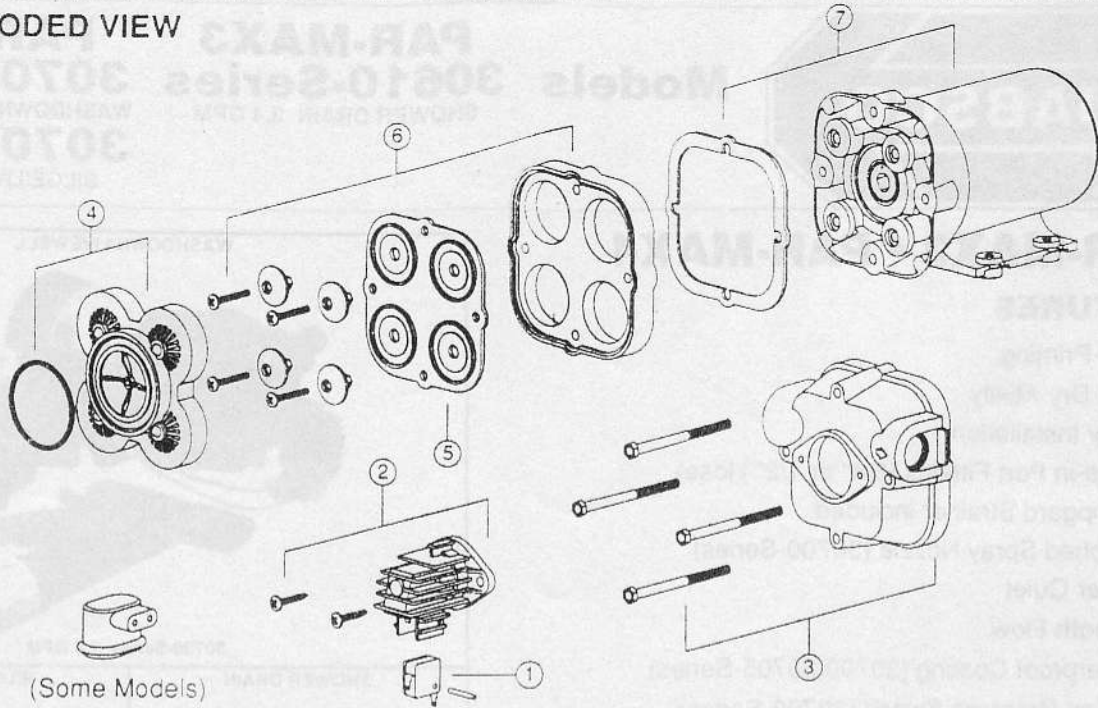
SPECIFICATIONS

- Pump Body - Glass Filled Polypropylene
- Pump Design - Multi-Chamber Diaphragm
- Suction Lift - Self Priming to 6 ft. (2m)
- Ports - 3/4" Hose Barb
 1/2" Hose Barb - Models 30700-0312, 30700-0324
- Motor - Permanent Magnet with Thermal Overload Protection
- Meets USCG Electrical Requirements including Ignition Protection
- Approximate Shipping Weight - 5.5 lb (2.5 kg)

MODEL	APPLICATION	GPM/LPM	VOLTS	SHUT-OFF psi (bar)	AMP DRAW		FUSE/ BREAKER*		
					@ 10 psi	@ 40 psi			
PAR-MAX 3									
30610-0012	SHOWER DRAIN	3.4/12.8	12 Vdc	N/A	5		10		
30610-0024			24 Vdc		3		5		
PAR-MAX 4									
30700-0012	WASHDOWN/LIVEWELL	3.8/14.4	12 Vdc	60 (4.1)	6	10	10		
30700-0312			24 Vdc		3	5	5		
30700-0024									
30700-0324									
30705-0012	BILGE/LIVEWELL	3.8/14.4	12 Vdc	N/A	6		10		
30705-0024			24 Vdc		3		5		

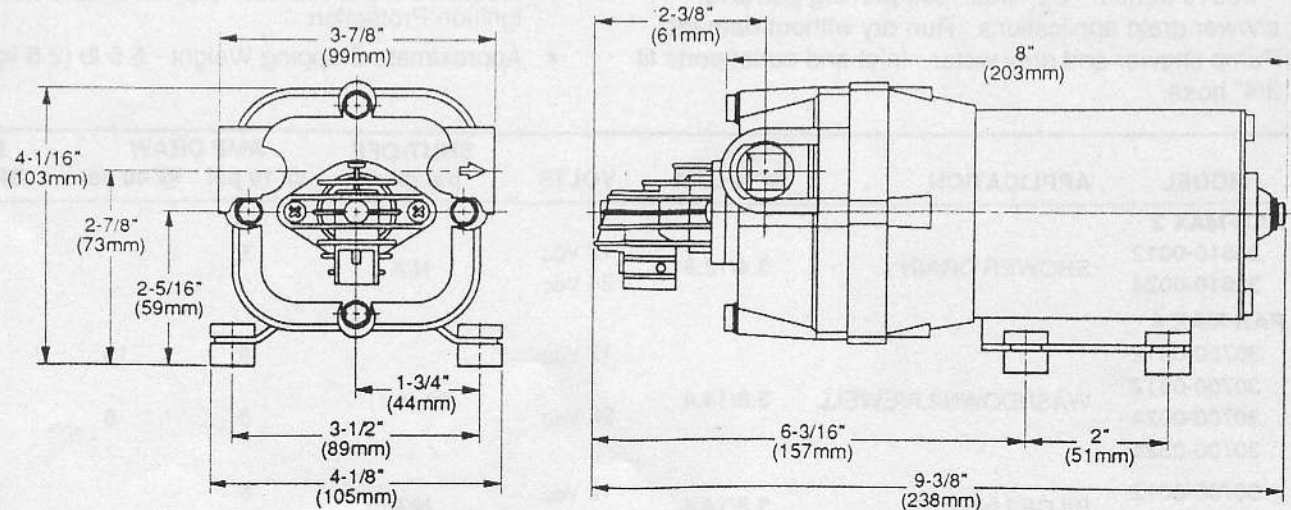
* Customer supplied, not included with pump.

EXPLODED VIEW

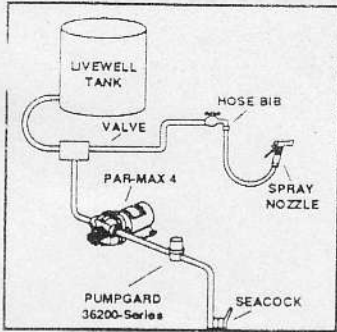


KEY	DESCRIPTION	QTY	PART NUMBERS			
			30700-0012 30700-0024	30700-0312 30700-0324	30705-Series	30610-Series
1	Micro-Switch	1	18753-0141	18753-0141	N/A	N/A
2	Pressure Switch	1	44050-1000	44050-1000	N/A	N/A
3	Body Kit	1	30608-1000	30608-1000	30608-1001	30608-1001
4	Valve Kit	1	30613-1000	30613-1000	30613-1001	30613-1001
5	Diaphragm Kit	1	30617-1000	30617-1000	30617-1000	30617-1000
6	Plate/Piston Kit	1	30682-1000	30682-1000	30682-1000	30682-1000
7	Motor Kit	1	18753-0489	18753-0489	18753-0489	18753-0444
		1	18753-0490	18753-0490	18753-0490	18753-0451
	Items not shown					
	Port Kit: 1/2" Hose Barb	2		30654-1000		
	3/4" Hose Barb	2	30653-1000		30653-1000	30653-1000
	Pumpgard Strainer	1	36200-0000	36400-0020	36200-0000	36200-0000
	Spray Nozzle	1	30703-1000	30704-1000	N/A	N/A

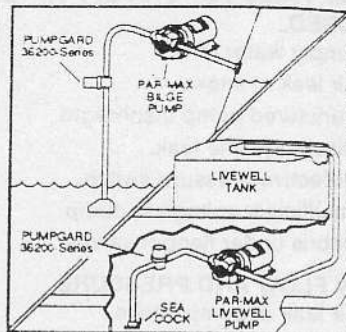
DIMENSIONS



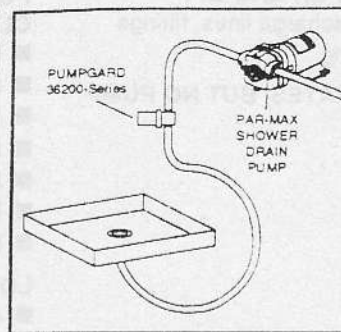
INSTALLATIONS



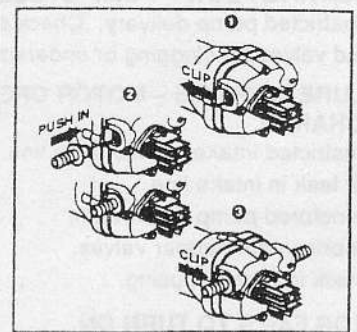
30700-Series



30705-Series



30610-Series



QUICK EASY INSTALLATION
VERSATILE SNAP-IN PORTS

MOUNTING

The PAR-MAX pumps are self-priming and may be located above or below the fresh water supply in a dry location. To vertically mount these units, it is best to do so with the motor on top. This will prevent water dripping on motor in the event of a leak. Place pump on a solid surface and secure with the four mounting screws being careful not to compress the rubber grommets which act as shock absorbers.

PLUMBING

IT IS RECOMMENDED THAT MARINE GRADE REINFORCED HOSE BE USED FOR ALL PLUMBING WITH THESE MODELS OF PAR-MAX PUMPS.

30700-Series – Washdown/Livewell

Install the Pumpgard strainer (provided) to the hose from the water source (thru-hull sea cock or water tank). Connect the Pumpgard strainer to the pump inlet port. Connect the pump discharge to a 3-way valve or T (if livewell has a shutoff valve). Connect to livewell and to hose bib. From hose bib use new spray nozzle.

30705-Series – Bilge/Livewell

The 30705-series pumps can be used as either a bilge pump or as a bait tank/livewell pump. Connect from bilge to Pumpgard strainer (provided) to pump to discharge. Or from thru-hull sea cock to Pumpgard to pump to tank.

30610-Series – Shower Drain

Install hose from shower drain to Pumpgard strainer. Connect Pumpgard to pump inlet port. Install hose from pump outlet port to discharge thru-hull or grey water holding tank.

Note - Pumpgard strainers should be mounted in the most accessible place possible to make periodic cleaning of the screen easier.

⚠ WARNING Explosion hazard. Do not pump gasoline, solvents, thinners or other flammable liquids. To do so can cause an explosion resulting in injury or death.

WIRING

In an easily accessible location, install a switch (Jabsco 44960-series) to control electricity to the pump. Turn the pump off when not used for extended periods, or when tank is out of water.

The electrical circuit should be protected with an overcurrent protection device in the positive lead. See chart for proper size. The pump circuit should not include any other electrical loads. The open terminal on the switch is positive. Black Wire

Select wire size from chart below. Use total length of wire from electrical source to pump and return. Chart allows for 3% voltage drop. If in doubt, use next larger wire size.

Total length in feet	0-20 (0-6 m)	20-35 (6-11 m)	35-55 (11-17 m)
12 Volt	#14 AWG (2.5 mm ²)	#12 AWG (4 mm ²)	#10 AWG (6 mm ²)
24 Volt	#16 AWG (1.5 mm ²)	#14 AWG (2.5 mm ²)	#12 AWG (4 mm ²)

⚠ WARNING Fire hazard. Wiring must comply with applicable electrical standards and include a properly sized fuse or circuit breaker. Improper wiring can cause a fire resulting in injury or death.

If you are not familiar with applicable electrical standards, have the unit installed by a qualified electrician.

After installation, check the voltage at the pump motor. Voltage should be checked when pump is operating along with all the inside electrical fixtures. Full voltage must be available at the pump motor at all times.

OPERATION

1. Open sea cock (washdown or livewell applications).
2. Open hose bib and/or spray nozzle (30700-series) or make sure discharge thru-hull is clear (30705 and 30610-series).
3. Turn on pump using Jabsco 44960-series switch.
4. 30700-series. Close spray nozzle and hose bib when water runs free of air. Pump is now ready for automatic demand operation.
5. 30705 and 30610-series pumps do not have a pressure switch and are usually switched manually. Turn off switch.

⚠ CAUTION Motor case will get hot. Prolonged contact during operation may cause a burn.

TROUBLESHOOTING

PULSATING FLOW – PUMP CYCLES ON AND OFF

- Restricted pump delivery. Check discharge lines, fittings and valves for clogging or undersizing.

FAILURE TO PRIME – MOTOR OPERATES, BUT NO PUMP DISCHARGE

- Restricted intake or discharge line.
- Air leak in intake line.
- Punctured pump diaphragm.
- Debris under flapper valves.
- Crack in pump housing.

MOTOR FAILS TO TURN ON

- Loose wiring connection.
- Pump circuit has no power.
- Blown fuse/Thermal Protector Tripped.
- Pressure switch failure.
- Defective motor.

CAUTION PAR-MAX pumps have thermal overload protected motors. The motor will automatically shut off as temperature rises due to an overload condition. If the motor shuts off in this manner, close all nozzles, faucets or valves. After a cooling off period the pump will automatically re-start.

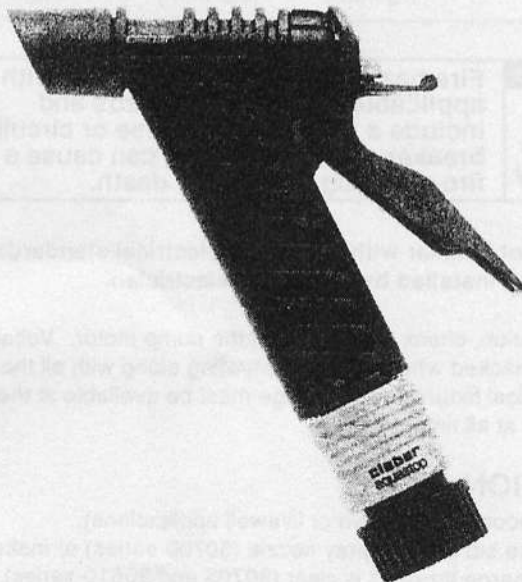
PUMP FAILS TO TURN OFF AFTER ALL OUTLETS ARE CLOSED.

- Empty water tank.
- Air leak at intake.
- Punctured pump diaphragm.
- Discharge line leak.
- Defective pressure switch.
- Insufficient voltage to pump.
- Debris under flapper valves.

LOW FLOW AND PRESSURE

- Air leak at pump intake.
- Accumulation of debris inside pump and plumbing.
- Worn pump bearing (excessive noise).
- Punctured pump diaphragm.
- Defective motor.

SPRAY NOZZLE
30703-1000



PUMPGARD
36200-0000



THE PRODUCTS DESCRIBED HEREIN ARE SUBJECT TO THE JABSCO ONE YEAR LIMITED WARRANTY, WHICH IS AVAILABLE FOR YOUR INSPECTION UPON REQUEST.

ITT Jabsco

A unit of ITT Fluid Technology Corporation
1485 Dale Way, P.O. Box 2158, Costa Mesa, CA 92628-2158
Tel: (714) 545-8251; Fax: (714) 957-0609
Bingley Road, Hoddesdon, Hertfordshire EN11 0BU England
Tel: +44 (0) 1992 450145; Tlx: 263251 G; Fax: +44 (0) 1992 467132