

PAR®

Model 30573-0000

Model 30573-0000



ACCUMULATOR TANK

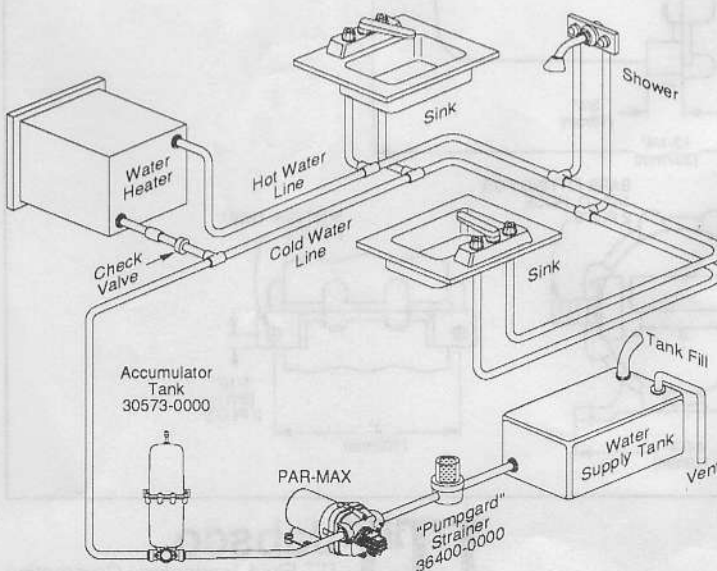
FEATURES

- Internal Bladder
- Smoother and More Even Flow
- Quieter Water System
- Better Temperature Control
- Longer Pump Life
- Lower Battery Drain
- Simply Fitted to New or Existing Systems
- Compact Size
- Snap-in Port Fittings (1/2" Barb Std.)
(1/2" Threaded QEST* Type Optional)

SPECIFICATIONS

Tank:	Hygienic, Light, Compact, Impact and Pressure Resistant Plastic construction
Capacity:	1 liter (33 fl. oz.)
Max. Operating Pressure:	Up to 125 psi (8.6 bar)
Pre-Charge Pressure:	10 psi (.7 bar)
Air Valve:	Standard Tire Valve
Weight:	1.6 lb (.7 kg)
Dimensions:	13-1/4" (337mm) x 4-3/4" (119mm)

TYPICAL INSTALLATION



IMPROVES MOST AUTOMATIC WATER PRESSURE SYSTEMS

The PAR Accumulator Tank is intended for installation in any pumped water system controlled by a pressure switch, for example PAR-MATE 2.5 or any PAR pressure pumps as found in boats, RV's, motor caravans, coaches and similar applications.

The Accumulator Tank smoothes water flow and reduces on/off cycling of the pump by lessening the variation in pressure and flow between the pump and the outlets in the system.

The even flow of water gives better control of hot water temperature *especially noticeable with instantaneous gas water heaters* and with showers.

The reduced on/off cycling reduces noise from the pump motor, and from shock pressures (pipe hammer). It also reduces battery drain, and gives longer pump life.

* QEST is a trademark of US Brass.

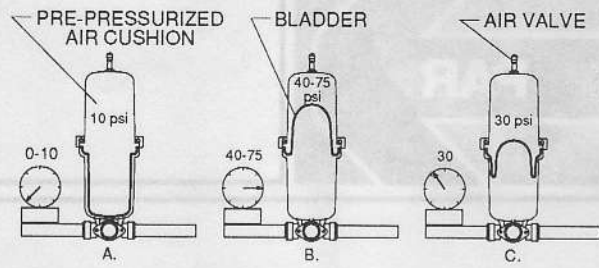
PRECHARGE PRESSURE ADJUSTMENT

The 30573-0000 tank is precharged at 10 psi (.7 bar). If your pump cut-in pressure is significantly different, you may custom tune the tank to best fit your particular installation. To increase air pressure in tank, shut pump off, open a faucet to relieve system pressure and adjust precharge pressure using ordinary tire gauge and tire pump at valve in end of tank. Pressure should be checked from time to time. To check tank pressure: turn off power to water pump, open a faucet to relieve pressure. Check tank pressure, adjust if necessary. Close faucet and turn on power to pump. **DO NOT PRESSURIZE TANK ABOVE 20 PSI (1.4 bar).**

RELIEF VALVE RECOMMENDED

When used in a system with a pump that can pump in excess of 100 psi, it is recommended that a relief valve with a setting of 75 psi be installed. Often a relief valve is already installed at the water heater. Check its setting.

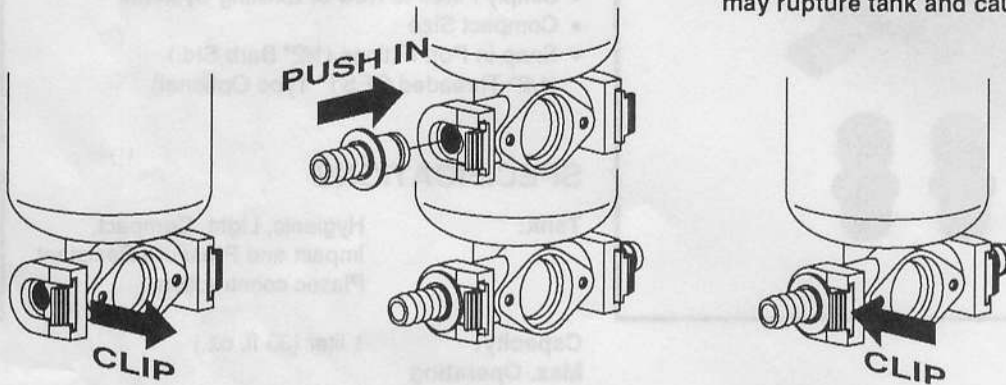
HOW THE PRESSURE ACCUMULATOR WORKS



- Factory installed precharged air cushion.
- When pump starts, water enters the reservoir. At maximum pressure, system is filled. Pump shuts off.
- When water is demanded, pressure in the air chamber forces water into the system. Pump stays off until minimum pressure is reached. Then pump turns on.

CAUTION

- Do not overpressure tank. Pressures over 125 psi (8.6 bar) may rupture tank and cause personal injury.

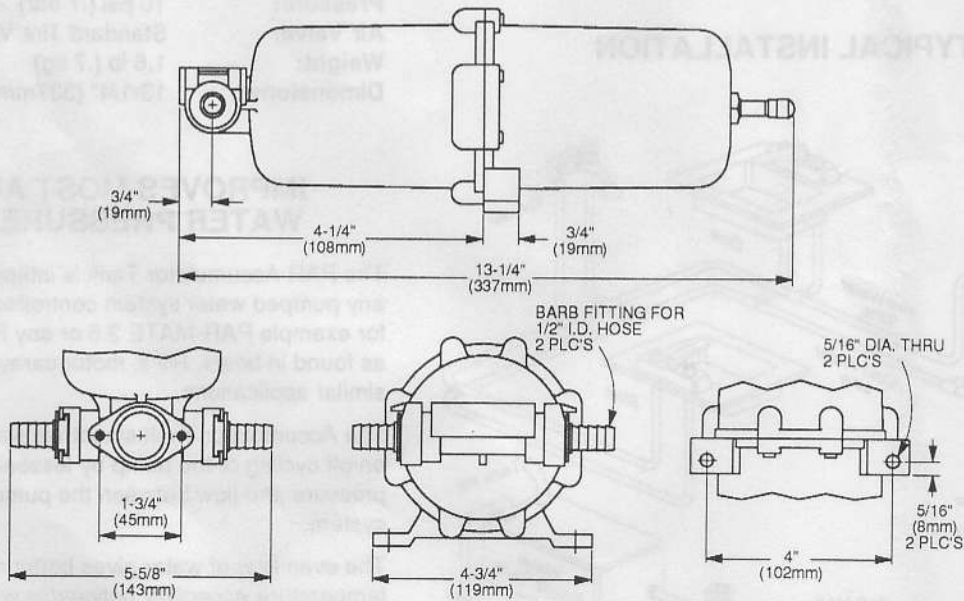


REPLACEMENT PORTS

- 1/2" Barb - 30654-1000
- 1/2" Thread - 30649-1000
- (For QUEST Type Fittings)



DIMENSIONAL DRAWING



THE PRODUCT DESCRIBED HEREIN IS SUBJECT TO THE JABSCO® ONE YEAR LIMITED WARRANTY, WHICH IS AVAILABLE FOR YOUR INSPECTION UPON REQUEST.

ITT Jabsco

ITT Fluid Technology Corporation

1485 Dale Way, P.O. Box 2158, Costa Mesa, CA 92628-2158

Tel: (714) 545-8251; Fax: (714) 957-0609

Bingley Road Hoddesdon, Hertfordshire, EN11 0BU England

Tel: 0992-467191; Tlx: 263251-G; Fax: 0992-467132