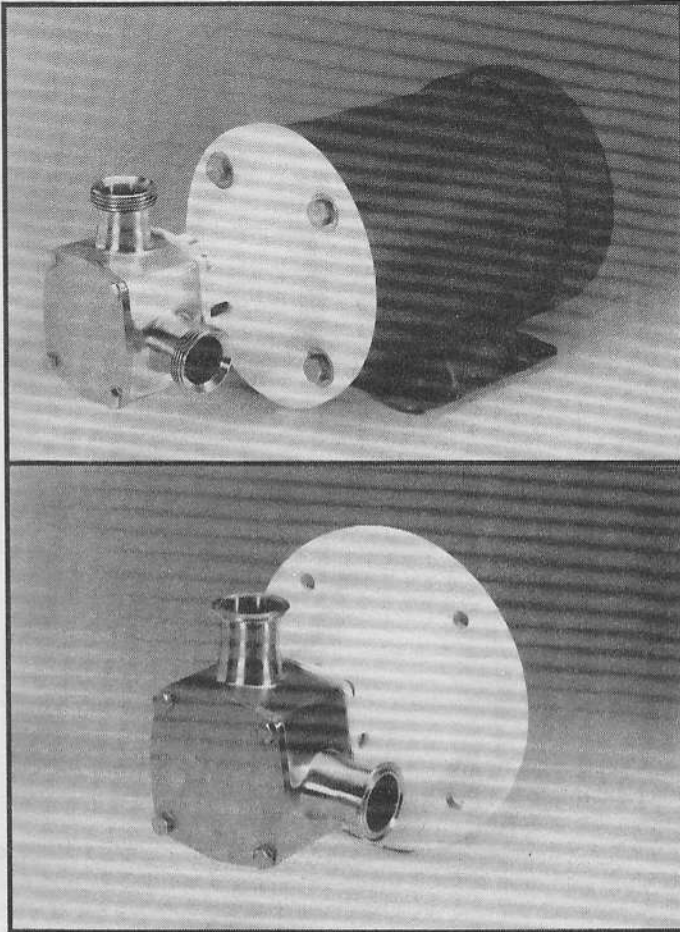


JABSCO®

**Models 30570-2XXX
30570-3XXX
30570-4XXX
30570-5XXX**

**Models 30570-2XXX, 30570-3XXX
30570-4XXX, 30570-5XXX**



SELF-PRIMING PUMPS

FEATURES

Pump Type: 30570-2XXX Pump Head
30570-3XXX Pump Head
30570-4XXX Close Coupled
30570-5XXX Close Coupled

Body: 316 Stainless Steel

Impeller: Neoprene

Shaft Seal: Mechanical; Carbon-on-Ceramic
or Tungsten Carbide; Nitrile

Ports: 1-1/2" ACME Threads with Bevel Seat
or Clamp Type

Shaft: 316 Stainless Steel

Motor: 230/460 Vac, 3 Phase, 60 Hz, 5 HP,
1750 RPM, TEFC, C-Face, 184 TC Frame

Weight: 30570-2XXX 30.0 lbs (13,6 kg) Approx.
30570-3XXX 30.0 lbs (13,6 kg) Approx.
30570-4XXX 93.5 lbs (42,5 kg) Approx.
30570-5XXX 93.5 lbs (42,5 kg) Approx.

VARIATIONS AVAILABLE

MODEL	DESCRIPTION
30570-2005 30570-4005	Standard Pressure, Neoprene Impeller, Carbon Seal, ACME Ports
30570-2105 30570-4105	Standard Pressure, Neoprene Impeller, Tungsten Carbide Seal, ACME Ports
30570-3005 30570-5005	Standard Pressure, Neoprene Impeller, Carbon Seal, Clamp Ports
30570-3105 30570-5105	Standard Pressure, Neoprene Impeller, Tungsten Carbide Seal, Clamp Ports

MOTOR WARNING



MOTOR CAN SPARK.
EXPLOSION & DEATH
CAN OCCUR.

DO NOT USE WHERE
FLAMMABLE VAPORS
ARE PRESENT.

APPLICATIONS

DAIRY: Transfer and processing of raw milk, cream, milk whey, buttermilk, condensed milk.

FOODS: Processing of eggs, sugar liquors, brines, catsup, chocolate, glaze, gelatin, honey, jams, jellies, mayonnaise, molasses, mustard, pickle relish, vinegar, water, yeast slurries, syrups, liquids containing solids in suspension such as chopped tomatoes, nuts, peanut butter.

BEVERAGE: Circulating and transferring alcohols, beers, brewery slop, cider, distillery wort, extracts, flavors, juice, mash, soft drink syrups, wines.

PHARMACEUTICAL: Moving medicines, cosmetics, process chemicals, lotions, preparations, filtering solutions, used as a filling line supply pump.

WARNING: Do not pump solvents, thinners, or gasoline as explosion may result causing property damage, severe personal injury or death.

OPERATING INSTRUCTIONS

- INSTALLATION** – Pump may be mounted in any position. The rotation of the pump shaft determines the location of the pump's intake and discharge ports. Refer to dimensional drawing. Pump is normally assembled at factory for clockwise rotation looking at end cover. If counterclockwise rotation is desired, follow steps 1 and 2 of disassembly and step 9 of assembly instructions to change direction of impeller blade deflection under cam.
- MOTOR SELECTION** – Pump Head is designed to fit a 184 TC Frame NEMA C-Face Motor. Motor should be rated 5 horsepower at 1750 RPM with a service factor of one. Due to high bearing loads, motor should be ball bearing equipped with the front bearing locked against axial movement. Motor should be 3 Phase and foot mounted.

3. **SPEEDS** – 100 RPM to the maximum shown in the performance curves. For longer pump life, operate at lowest possible speeds. Lower speeds are required for viscous liquids, consult the factory for proper speeds and horsepower requirements.
4. **SELF-PRIMING** – Primes at low or high speeds. For vertical dry suction lift of 10 feet, a minimum of 800 RPM is required. Pump will produce suction lift up to 22 feet when wet. **BE SURE SUCTION LINES ARE AIRTIGHT OR PUMP WILL NOT SELF-PRIME.**
5. **DISCHARGE** - When transferring liquids further than 25', use one size larger discharge line than discharge port size.
6. **RUNNING DRY** – Unit depends on liquid pumped for lubrication. **DO NOT RUN DRY** for more than 30 seconds. Lack of liquid will damage the impeller.
7. **PUMPAGE COMPATIBILITY** – Consult the Chemical Resistance Guide in the JABSCO Industrial Pump Catalog (available upon request from ITT Jabsco) or factory for proper body materials and impeller compounds. If corrosive fluids are handled, pump life will be prolonged if pump is flushed with a neutralizing solution after each use or after each work day. A Tungsten Carbide Seal variation is available for pumping liquids that contain abrasives or are highly corrosive.
8. **PRESSURES** – Consult Performance Curves for maximum recommended pressures for pump in continuous operation. If pressures exceed those shown, consult the factory.
9. **TEMPERATURES** – The operating temperature limits of the pump depends on the impeller compound. The following ranges apply: Neoprene - 45° to 150° F (7° to 65° C).
10. **IMPELLER TORQUE** – The torque required to initiate rotation of a new impeller in a dry pump body is:
 Standard Pressure Impeller (14346-SERIES):
 Forward = 14.5 pounds force – feet
 Reverse = 43.0 pounds force – feet
 These values may vary slightly due to impeller compounding, blade set, and body material of construction. Consult factory for more information.
11. **CLEANING** – Before using pump it should be disassembled and cleaned to remove any dust and dirt resulting from storage or shipping. Wash parts in standard cleaning solutions approved for handling stainless steel. Thoroughly rinse before reassembly. **DO NOT USE IODINE BASED SANITIZERS** as the iodine attacks the elastomer materials used in the impeller.

 All parts have been expertly machined and polished. **HANDLE WITH CARE. DO NOT DROP OR MISHANDLE.**
12. **SPARE PARTS** – To avoid costly shutdowns, keep a spare JABSCO impeller, seal and O-ring set on hand.

SERVICE INSTRUCTIONS

DISASSEMBLY

1. Remove the four end cover screws. Remove end cover and O-ring.
2. Remove the four screws, holding the body to the adapter flange. Slide body, complete with impeller and wearplate, from adapter and shaft.
3. Remove mechanical seal by inserting two screwdrivers behind seal collar, and gently lever collar and seal assembly forward on shaft. Use extreme care not to mar shaft surface. Remove seal seat and rubber cup from recess in wearplate.
4. Remove the four screws holding the adapter to the motor and remove the adapter.
5. Stub shaft is held in place with set screws and Loctite® RC/680 retaining compound. Extreme care must be taken not to damage the motor shaft and bearings when removing the stub shaft. Heat shaft joint area to facilitate disassembly of set screws and stub shaft from motor shaft. **DO NOT EXCEED 350°F** when heating joint area. Once joint area has been heated, remove set screws and slide stub shaft from motor shaft.

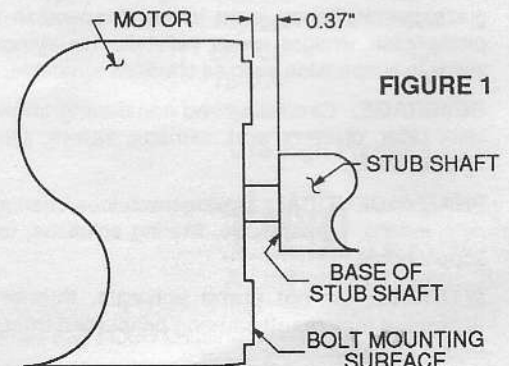
ASSEMBLY

1. Liberally apply Loctite RC/680 retaining compound to the motor shaft. Align the stub shaft on the motor shaft key. Slide stub shaft on the motor shaft. Positioning the base of the stub shaft 0.37" from the bolt mounting surface of motor. For clarification refer to figure 1 below. Loctite aids in preventing fretting and subsequent shaft failure. Wipe off excess Loctite. Apply Loctite to the four set screws and torque to 85 - 90 in. lbs.
2. Replace the adapter on the motor and tighten the four mounting screws to 40 ft. lbs.
3. Replace mechanical seal by sliding spacer onto shaft up to locating shoulder, then smear shaft with light lubricating oil. Push on seal gently until it engages with spacer. Fit rubber cup and seal seat into wearplate.
4. Insert impeller in pump body, fit O-ring in each end of the pump body.
5. Slide wearplate and body assembly over shaft, position wearplate in housing. Fit body to pedestal with screws. Torque screws to 10 ft. lbs.

Note: A gap should be maintained between bearing housing and body. **DO NOT** overtighten screws.

6. Fit end cover and end cover screws. Torque screws to 10 ft. lbs.
7. Changing Pump Rotation (looking at end cover):
 Clockwise Rotation: Insert impeller into pump body with blades bending counterclockwise
 Counterclockwise Rotation: Insert impeller into pump body with blades bending clockwise.

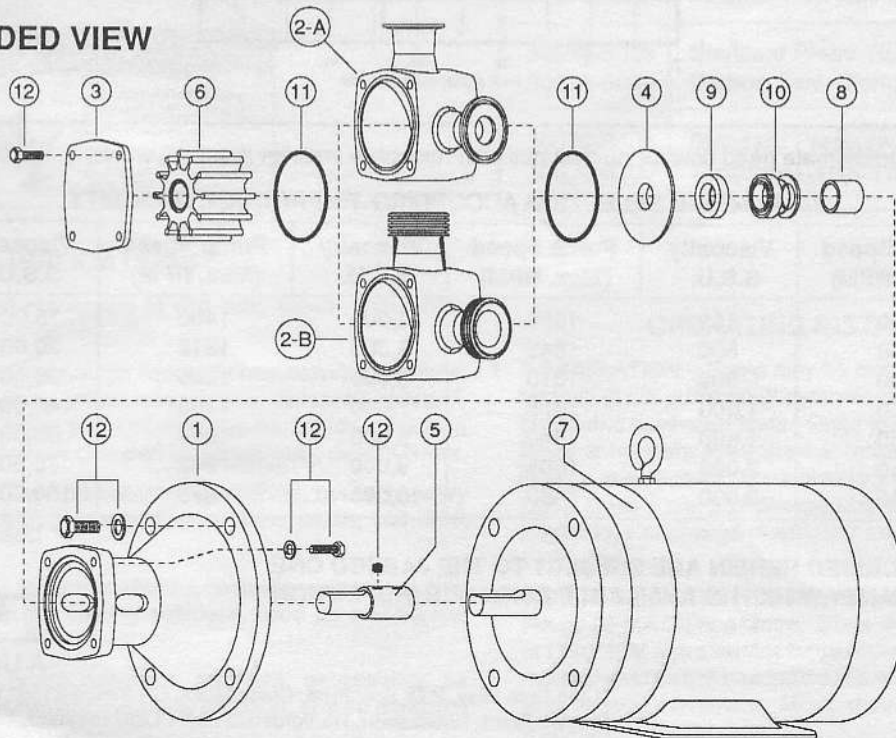
Loctite® is a trademark of Loctite Corporation.



PARTS LIST

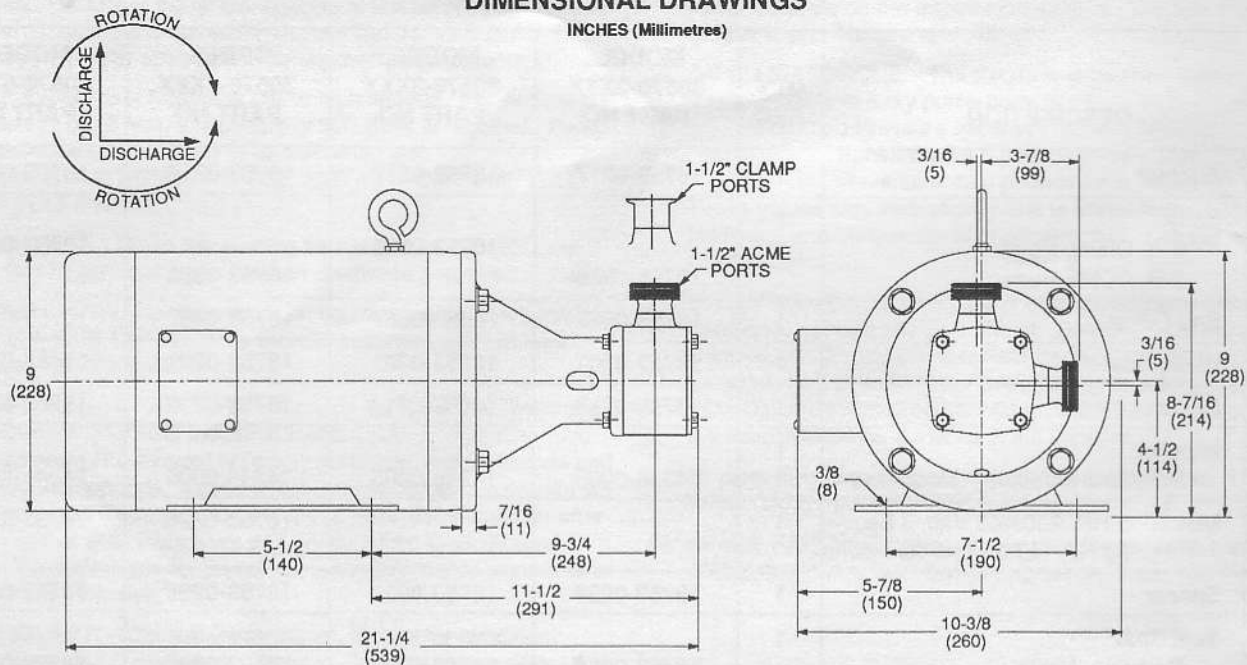
KEY	DESCRIPTION	QTY. REQ.	MODEL 30570-2XXX PART NO.	MODEL 30570-3XXX PART NO.	MODEL 30570-4XXX PART NO.	MODEL 30570-5XXX PART NO.
1	Adapter	1	18753-0217	18753-0217	18753-0217	18753-0217
2	Body: 2-A. Clamp Ports 2-B. ACME Ports	1	18753-0366	18753-0365	18753-0366	18753-0365
3	End Cover	1	18753-0367	18753-0367	18753-0367	18753-0367
4	Wearplate	1	18753-0201	18753-0201	18753-0201	18753-0201
5	Shaft	1	18753-0213	18753-0213	18753-0213	18753-0213
6	Impeller: Standard Pressure – Neoprene	1	14346-0005	14346-0005	14346-0005	14346-0005
7	Motor: 5 HP, 230/460 Vac, 3 Ph, 60 Hz, TEFC, 184 TC Frame	1			18753-0220	18753-0220
8	Spacer	1	18753-0228	18753-0228	18753-0228	18753-0228
9	Seal Seat Carbon – Nitrile Tungsten Carbide – Nitrile	1	18753-0368 18753-0369	18753-0368 18753-0369	18753-0368 18753-0369	18753-0368 18753-0369
10	Seal Mech.: Carbon – Nitrile Tungsten Carbide – Nitrile	1	18753-0370 18753-0371	18753-0370 18753-0371	18753-0370 18753-0371	18753-0370 18753-0371
11	O-Ring: Nitrile	2	18753-0265	18753-0265	18753-0265	18753-0265
12	Screw Kit: Consists of Screw, Hex Hd. 1/2-13x1" (4) Screw, Hex Hd. M8x20mm (4) Screw, Hex Hd. M8x14mm (4) Set Screw, Cup Pt. 1/4-20x1/4 (4) Washer, Flat 1/2 (4) Washer, Flat M8 (4)	1	18753-0286	18753-0286	18753-0286	18753-0286

EXPLODED VIEW

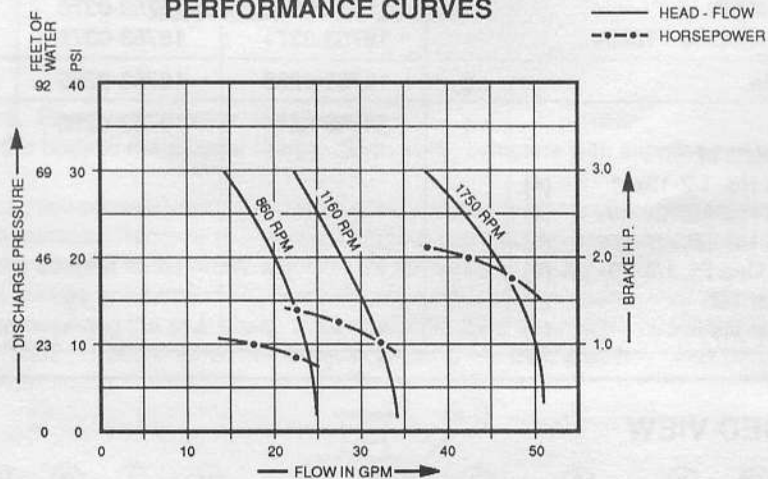


DIMENSIONAL DRAWINGS

INCHES (Millimetres)



PERFORMANCE CURVES



NOTE: Curves show approximate head flow for new pumps with neoprene impeller pumping water.

PUMP SPEED SELECTION ACCORDING TO PRODUCT VISCOSITY

Viscosity S.S.U.	Pump Speed (Max. RPM)	Viscosity S.S.U.	Pump Speed (Max. RPM)	Viscosity S.S.U.	Pump Speed (Max. RPM)	Viscosity S.S.U.	Pump Speed (Max. RPM)
50	1750	700	1680	4,000	1400	15,000*	787
100	1750	800	1645	5,000	1312	20,000*	700
200	1750	900	1610	6,000	1225	30,000*	612
300	1750	1,000	1575	7,000	1138	40,000*	525
400	1750	1,500	1540	8,000	1050	50,000*	437
500	1750	2,000	1505	9,000	962	75,000*	298
600	1715	3,000	1450	10,000	875	100,000*	175

* Use High Pressure Impeller

THE PRODUCTS DESCRIBED HEREIN ARE SUBJECT TO THE JABSCO ONE YEAR LIMITED WARRANTY, WHICH IS AVAILABLE FOR YOUR INSPECTION UPON REQUEST.

ITT JABSCO
A Unit of ITT Corporation

1485 Dale Way, P.O. Box 2158, Costa Mesa, CA 92628-2158, Telephone: (714) 545-8251
Bingley Road, Hoddesdon, Hertfordshire EN11 0BU England, Telephone: +44-992-467191