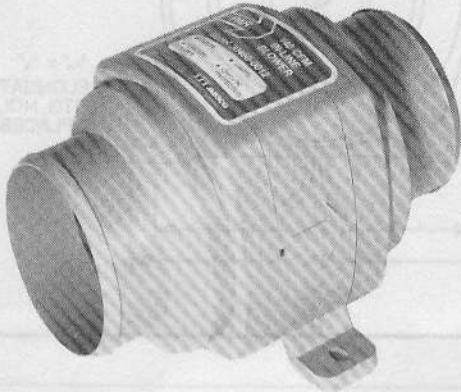


PAR[®]

Model 30460-0012 30490-0012

Model 30460-0012, 30490-0012



30460-0012 3" Pictured

12 VOLT IN-LINE BLOWER FEATURES

- Tough Fire Retardant ABS Plastic Housing will not support flame
- Mounts in any position to any flat surface
- Slip-On Inlet and Outlet Ducting Connections
- Efficient High Volume Air Flow
- Continuous Duty
- Low Current Draw
- Corrosion-Resistant Materials Throughout
- N.M.M.A. Type Accepted
- Meets Requirements Of Title 33, Chapter I, Part 183; Subpart I, USCG Electrical Regulations
- Shipping Weight 2 lbs. (0,9kg)

MODELS AVAILABLE

30460-0012	3" Port 140 CFM
30490-0012	4" Port 240 CFM

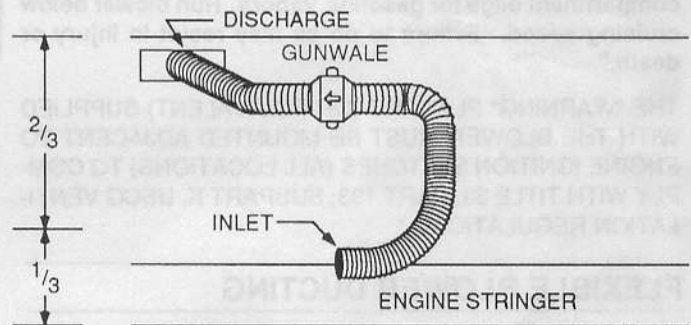
INSTALLATION

INSTALLATIONS MUST MEET APPLICABLE SECTIONS OF TITLE 33, PART 183; SUBPART K, USCG VENTILATION REGULATIONS.

Mounting: The PAR In-Line Blower is designed for easy installation. It may be positioned anywhere along the length of ducting leading to the area being ventilated. The blower may be secured to any solid, flat mounting surface and installed in any position. However, for maximum motor protection it is best to position the blower where it will not be exposed to water spray.

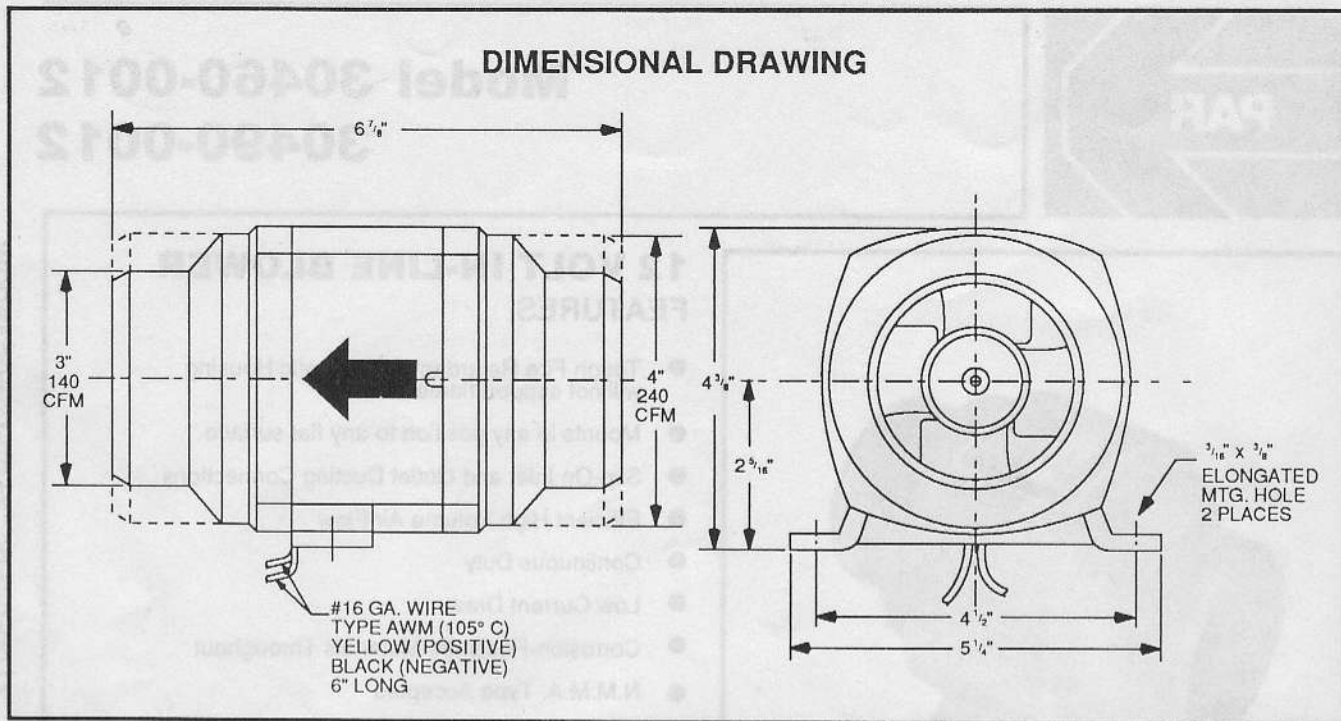
The ventilation ducting should lead to a suitable discharge fitting which will not increase the blower's static pressure while the vessel is underway. If the blower is used to exhaust gasoline vapors from an engine room or bilge, the ducting inlet must be positioned in the lower 1/3 of that compartment. Ideally, the inlet should be as low as possible without the probability of becoming submerged. To maximize blower performance, the ducting length and number of bends should be kept to a minimum. Use only a quality reinforced (non-collapsing) ducting made of materials that will not support flame such as the PAR 34959-SERIES.

NOTICE: If the blower is installed as a galley ventilator, it should be mounted away from extreme heat (more than 130°F) to prevent distortion of the blower housing or fan.



WIRING: Use only a quality marine grade stranded copper wire. For wire runs of up to 50 feet (measured from power source to blower and back to ground) use a minimum of 16 gage wire. For runs of 50 to 80 feet use a minimum of 14 gage wire. To comply with A.B.Y.C. and N.M.M.A. recommendations, the positive (+) conductor should be yellow and the negative (-) conductor either black or white. The positive (+) conductor must include a 6 amp fuse or circuit breaker at the power source. The circuit should include an on-off switch with a minimum rating of 5 amps. The PAR model 44960-0002 and 44960-0003 Rocker Switches are ideal for this purpose and include a label which says "Blower".

DIMENSIONAL DRAWING



OPERATION: The blower may be used for continuous operation. However, maximum motor brush life is generally about 1000 hours.

When ventilating gasoline vapors the following warning placard instructions are minimum operating requirements.

"WARNING - Gasoline vapors can explode. Before starting engine, operate blower for 4 minutes and check engine compartment bilge for gasoline vapors. Run blower below cruising speed. Failure to do so may result in injury or death."

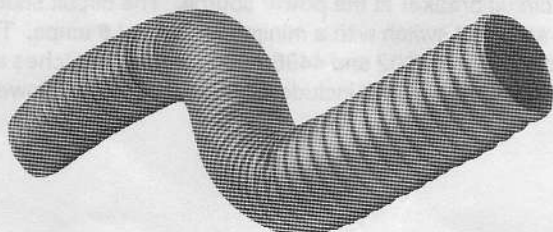
THE "WARNING" PLACARD (OR EQUIVALENT) SUPPLIED WITH THE BLOWER MUST BE MOUNTED ADJACENT TO ENGINE IGNITION SWITCHES (ALL LOCATIONS) TO COMPLY WITH TITLE 33, PART 183; SUBPART K, USCG VENTILATION REGULATIONS.*

FLEXIBLE BLOWER DUCTING

Plastic flexible blower ducting is available in 3" and 4" diameters and made of materials that will not support flame. It is wire reinforced to maintain shape and maximum ID through very tight bends.

Easy to cut and install. Sold in 50' (15m) coils only.

MODEL	SIZE (ID)	SHIPPING WEIGHT
34959-0100	3"	10 lb (4,5 kg)
34959-0200	4"	14 lb (6,3 kg)



MARINE SWITCH PANELS

These rocker switch panels are available in an attractive black textured finish. Select between illuminated or non-illuminated models.



44960-0002



44960-0003



MODEL	#POSITION	ELEC. RATING
44960-0002	2 (on, off, lighted)	25 amps 12 Vdc
44960-0003	2 (on, off, unlighted)	25 amps 6-32Vdc/15 amps 110Vac

* Additional warning placards are available from the factory by requesting form 43003-0418.

THE PRODUCTS DESCRIBED HEREIN ARE SUBJECT TO THE JABSCO® ONE YEAR LIMITED WARRANTY, WHICH IS AVAILABLE FOR YOUR INSPECTION UPON REQUEST.

ITT JABSCO
 A Unit of ITT Corporation
 1485 Dale Way, P.O. Box 2158
 Costa Mesa, CA 92628-2158
 Telephone: (714) 545-8251