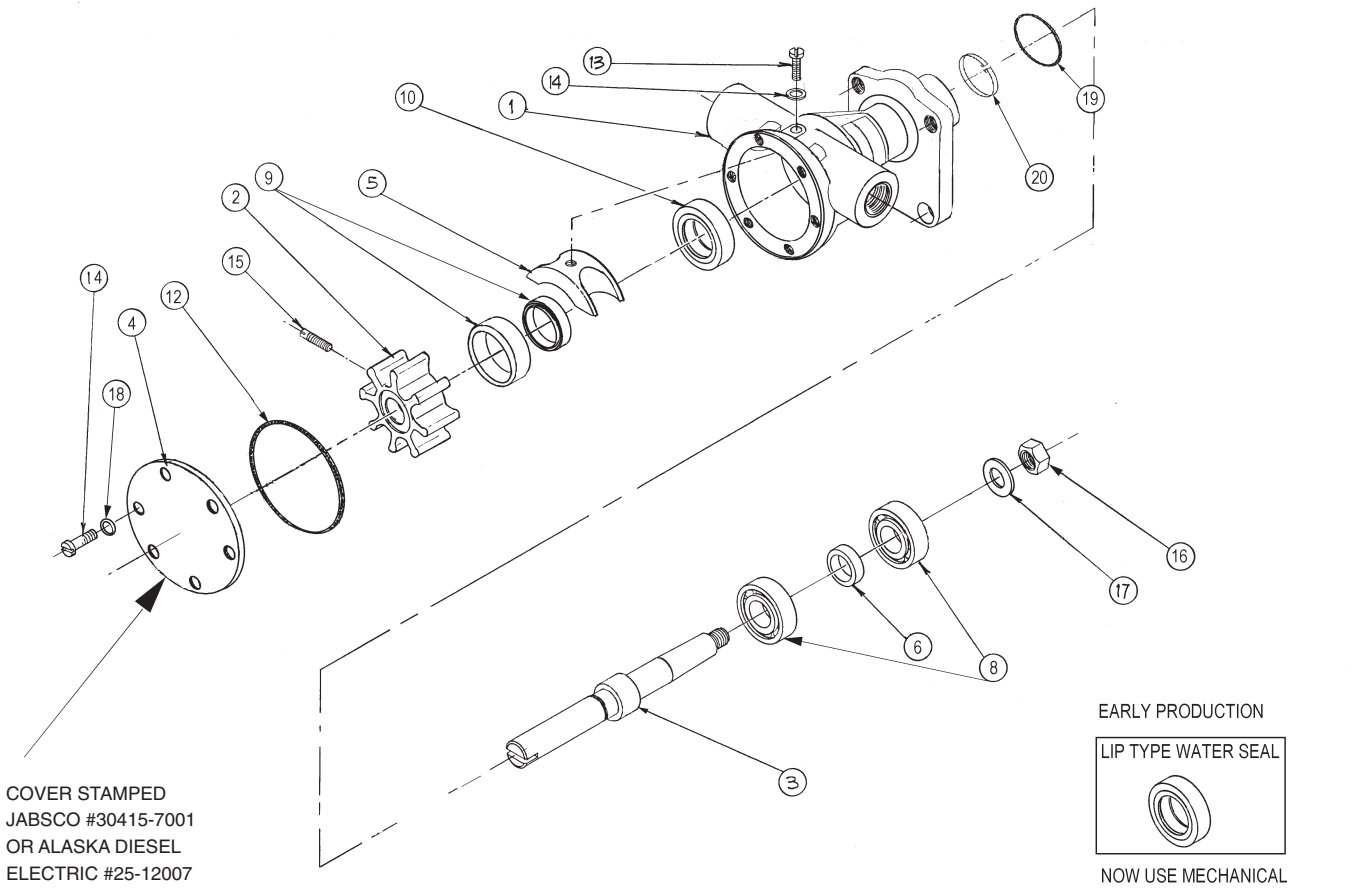



Raw Water Pump



COVER STAMPED
 JABSCO #30415-7001
 OR ALASKA DIESEL
 ELECTRIC #25-12007

EARLY PRODUCTION
 LIP TYPE WATER SEAL

 NOW USE MECHANICAL
 TYPE (DIRECT REPLACEMENT)
 ITEM # 9

A-7540/ D-3257

KEY	PART NUMBER	QTY	DESCRIPTION	SERIAL NUMBER
••	25-12007	1	Raw Water Pump (includes all keys)	Up to S/N xxxx-
1	25-12008	1	Housing	-
2	25-12009	1	Impeller (includes key #15)	-
3	25-12011	1	Shaft	-
4	25-12013	1	End Cover	-
5	25-12023	1	Cam	-
6	25-12024	1	Spacer	-
7	25-12026	1	Spacer	-
8	25-12027	2	Bearing	-
9	25-12066	1	Mechanical Seal	-
10	25-12028	1	Seal, Lip Type	-
11	25-12029	1	Snap Ring	-
12	25-12031	1	O-Ring	-
13	25-12032	1	O-Ring	-
14	25-12033	7	Capscrew, Hex Head M4 x 0.7 x 10 mm S/S	-
15			Set Screw #10-32 x 1"*	-
16	14-00711	1	Hex Nut M8 x 1.25	-
17	15-00702	1	Lock Washer, Helical M8	-
18	15-00023	6	Lock Washer, Helical M4	-
			*Not Available Separately	