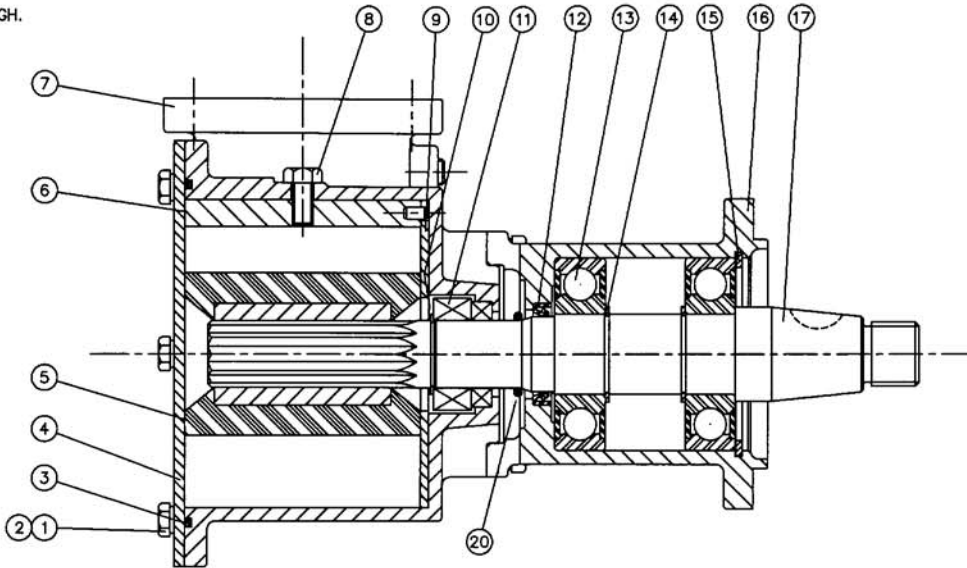
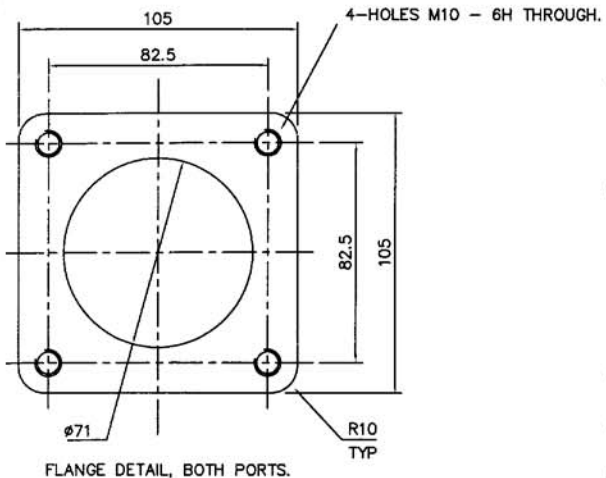
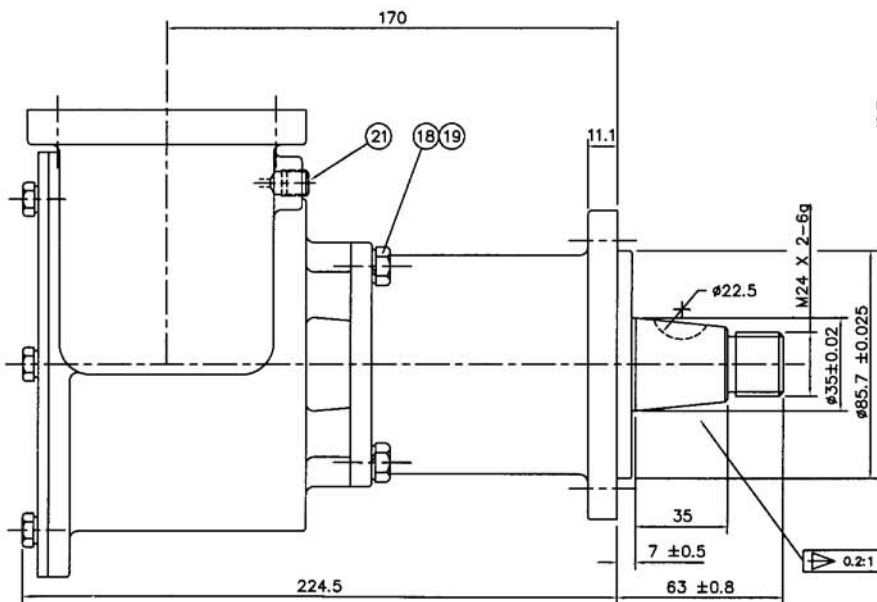
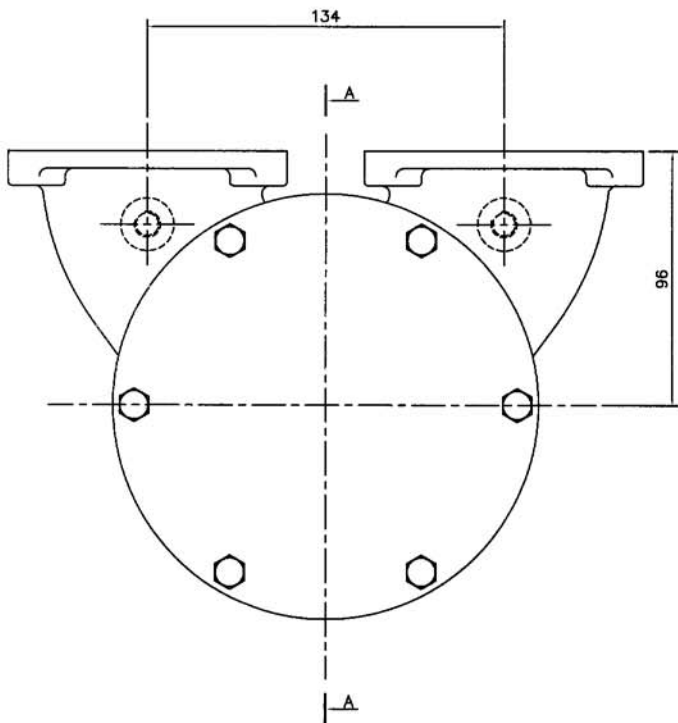


ALL DIMENSIONS IN MILLIMETRES

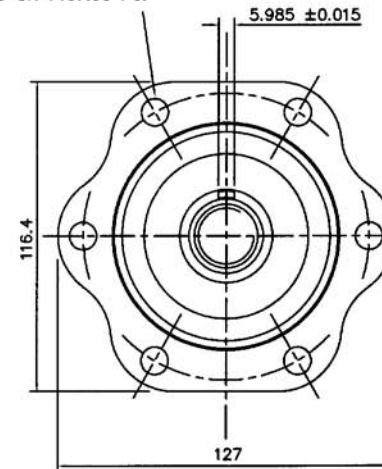


KEY	DESCRIPTION	QTY.
1	SCREW	4
2	WASHER	4
3	O-RING	1
4	END COVER	1
5	IMPELLER	1
6	SLEEVE	1
7	BODY	1
8	SCREW	1
9	WEAR PLATE	1
10	RETAINING RING	1
11	MECANICAL SEAL	1
12	SEAL	1
13	BEARING	1
14	RETAINING RING	2
15	RETAINING RING	1
16	BEARING HOUSING	1
17	SHAFT	1
18	SCREW	4
19	SPRING WASHER	4
20	O-RING	1
21	PLUG - 1/8" BSP	2

SECTION A-A



6-HOLES φ10.3 EQUALLY SPACED ON φ107.95 PC.



<p>NOTICE</p> <p>THIS DRAWING MAY REPRESENT A PROPRIETARY DESIGN OR PATENT RIGHTS OF JABSCO. IT IS THE PROPERTY OF JABSCO AND IS NOT TO BE REPRODUCED OR TRANSMITTED IN ANY FORM OR BY ANY MEANS, ELECTRONIC OR MECHANICAL, INCLUDING PHOTOCOPYING, RECORDING, OR BY ANY INFORMATION STORAGE AND RETRIEVAL SYSTEM, WITHOUT THE WRITTEN PERMISSION OF JABSCO.</p>		<p>DO NOT SCALE - REPORT ERRORS</p> <p>SCALE: 1:1 DATE: MATERIAL: -</p> <p>DRAWN: B.N.S. 2/9/95</p> <p>CHECKED: APPROVED:</p>		<p>Jabco</p> <p>HYDRAULIC TECHNOLOGY DEPARTMENT</p> <p>HODDERSDON HEATHS ENGLAND</p>	
<p>PROJECTION</p>		<p>TITLE: ASSEMBLY/INSTALLATION 470 PUMP</p>		<p>DRAWING NO.: 28880-0001</p>	