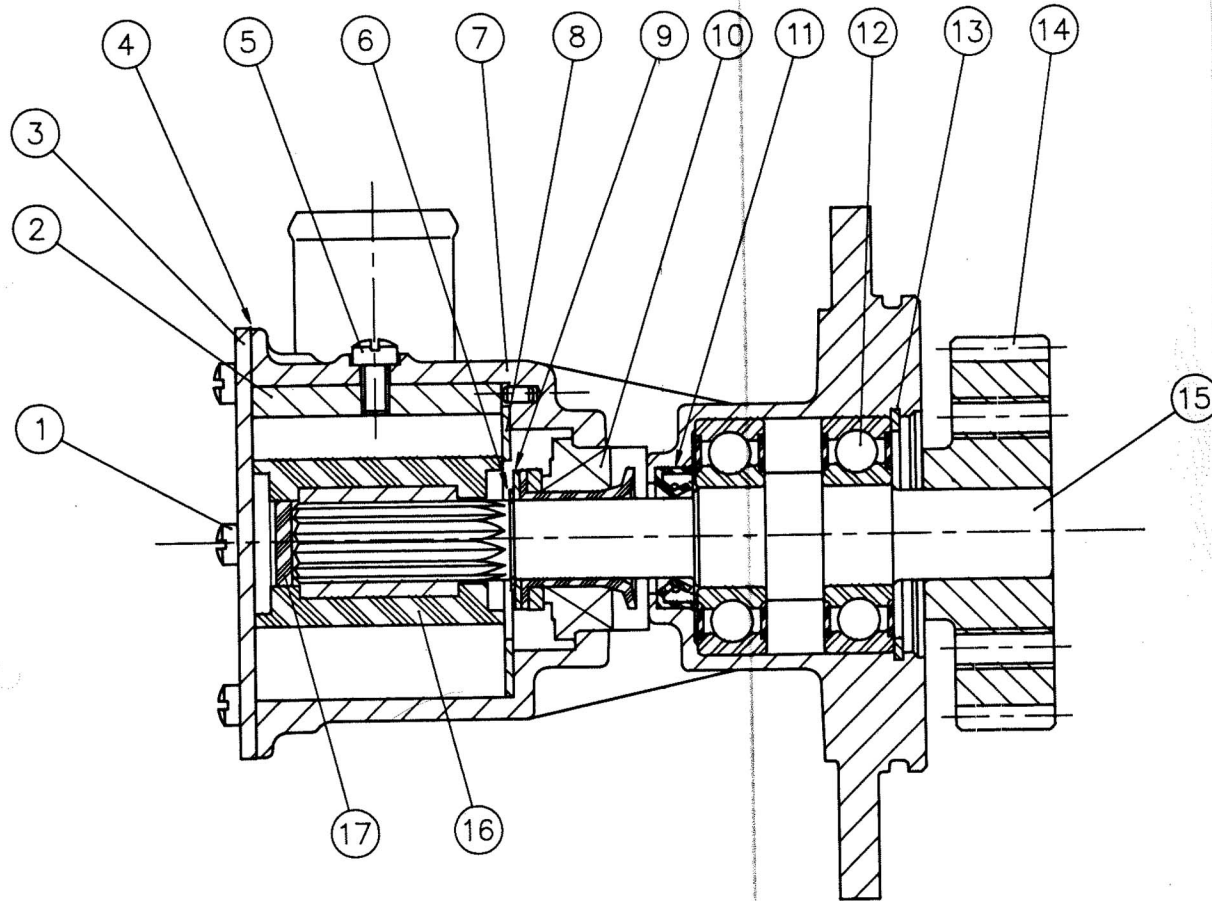
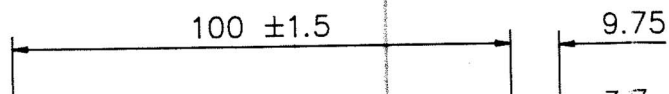


ALL DIMENSIONS IN MILLIMETRES



SECTION X-X



5-HOLES  $\phi 9$

| KEY | DESCRIPTION     | QTY. |
|-----|-----------------|------|
| 1   | SCREW           | 6    |
| 2   | CAM             | 1    |
| 3   | ENDCOVER        | 1    |
| 4   | GASKET          | 1    |
| 5   | SCREW           | 1    |
| 6   | RETAINING RING  | 1    |
| 7   | BODY            | 1    |
| 8   | WEARPLATE       | 1    |
| 9   | SUPPORT WASHER  | 1    |
| 10  | MECHANICAL SEAL | 1    |
| 11  | LIP SEAL        | 1    |
| 12  | BEARING         | 2    |
| 13  | RETAINING RING  | 1    |
| 14  | GEAR            | 1    |
| 15  | SHAFT           | 1    |
| 16  | IMPELLER        | 1    |
| 17  | SPLINE PLUG     | 1    |
|     |                 |      |
|     |                 |      |

