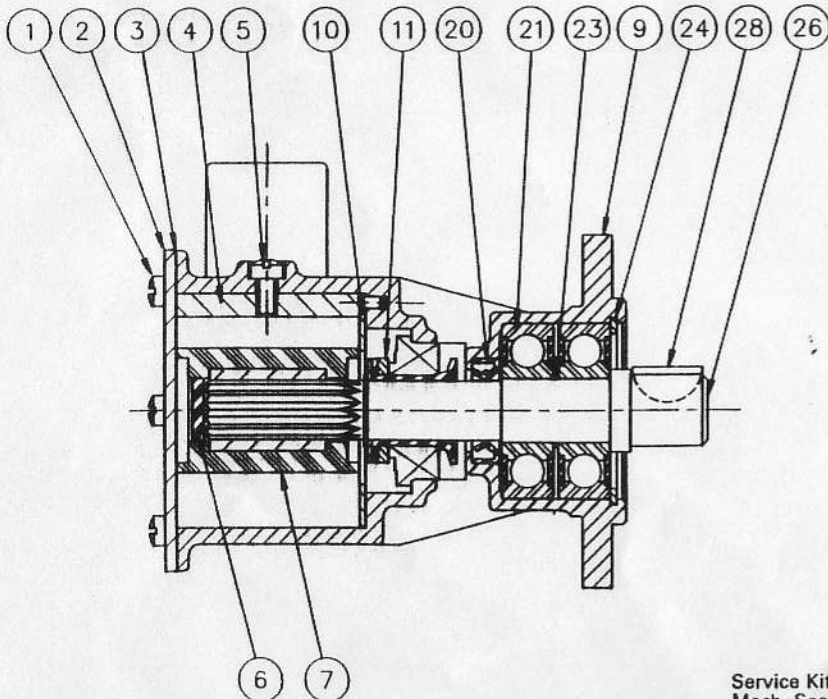


3-HOLES $\phi 8.8$
ON $\phi 76.2$ PC



KEY	DESCRIPTION	QTY	PART NUMBER	
			MODEL	29600-1001
1	END COVER SCREW	6	SP1003-0111	
2	END COVER	1	3993	
3	GASKET	1	890	
4	CAM	1	934	
5	CAM SCREW	1	SP1004-09	
6	SPLINE PLUG	1	4345	
7	IMPELLER	1	17937-0001	
9	BODY	1	29604-1000	
10	WEARPLATE	1	4156	
11	MECH. SEAL ASSY	1	22646-0000	
20	LIP SEAL	1	SP2700-1027	
21	BEARING	2	SP2600-0500	
23	BEARING SPACER	1	SP1701-4437	
24	RETAINING RING (INT)	1	SP1701-438	
26	SHAFT	1	29607-0000	
28	KEY	1	SP1402-03	

Service Kit SK385-0101 consists of: Impeller, spline plug, seal assembly, gasket, endcover screws.
Mech. Seal Assembly Key 11 consists of: retaining ring SP1700-62, washer, carbon seal (rotary), ceramic seat (stationary), gasket.

Series 29600
Size 080