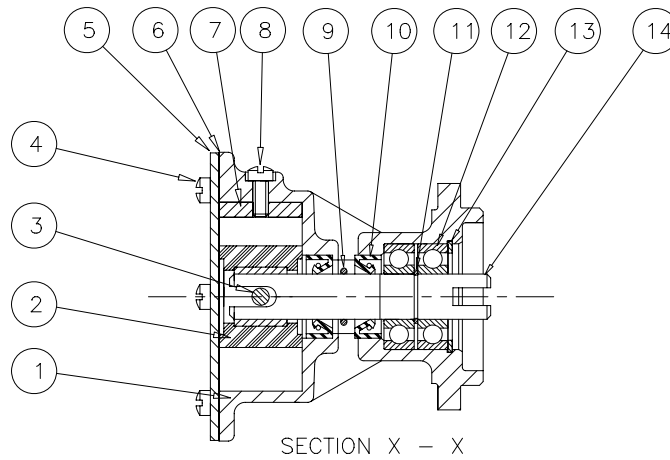
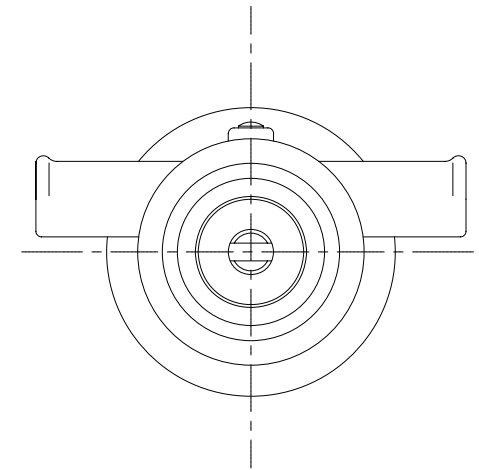
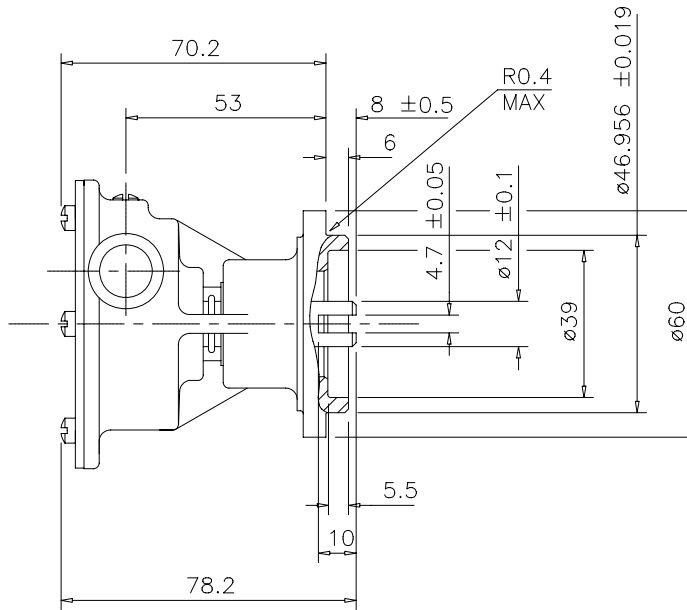
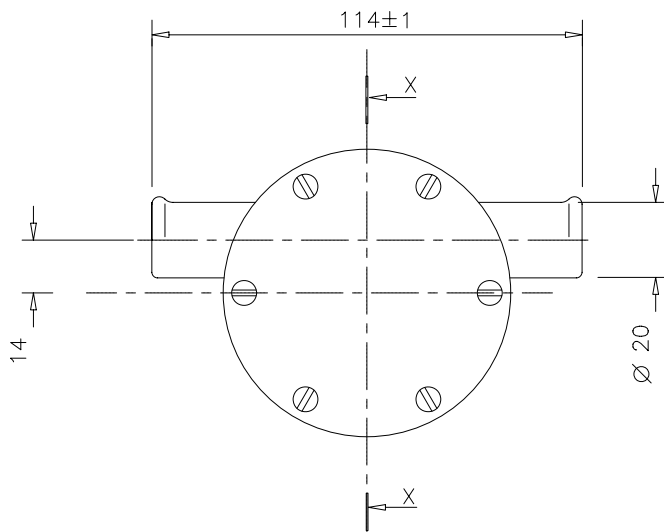


ALL DIMENSIONS IN MILLIMETRES



KEY	DESCRIPTION	QTY
1	BODY	1
2	IMPELLER	1
3	SCREW	1
4	SCREW	6
5	END COVER	1
6	GASKET	1
7	CAM	1
8	SCREW	1
9	O-RING	1
10	SEAL	2
11	RETAINING RING	1
12	BEARING	2
13	RETAINING RING	1
14	SHAFT	1

SECTION X - X



020 BRONZE PUMP ASSEMBLY

												HODDESDON HERTS ENGLAND		1989	
		ISSUE CHANGE DATE A 13905 2.2.06		NOTICE THIS DRAWING MAY REPRESENT A PROPRIETARY ARTICLE OR ONE ON WHICH PATENTS ARE APPLIED FOR OR ISSUED. REPRODUCTION THEREOF OR MANUFACTURE OF PARTS THEREFROM IS NOT PERMISSIBLE WITHOUT THE WRITTEN PERMISSION OF ITT JABSCO		REMOVE SAND, FINIS, FLASH & SCALE FROM CASTINGS, FORGINGS & MOLDINGS. PART TO BE FREE OF BURRS. TOLERANCES UNLESS OTHERWISE STATED: LINEAR ± - ANGULAR ± -		DO NOT SCALE - REPORT ERRORS SCALE: 1:1 DATE: 12/12/90		MATERIAL: -		TITLE: INSTALLATION / ASSEMBLY			
		PROJECTION		=		DRAWN: B.N.S.		CHECKED:		APPROVED:		DRAWING NO.: 29410-1101		A2	