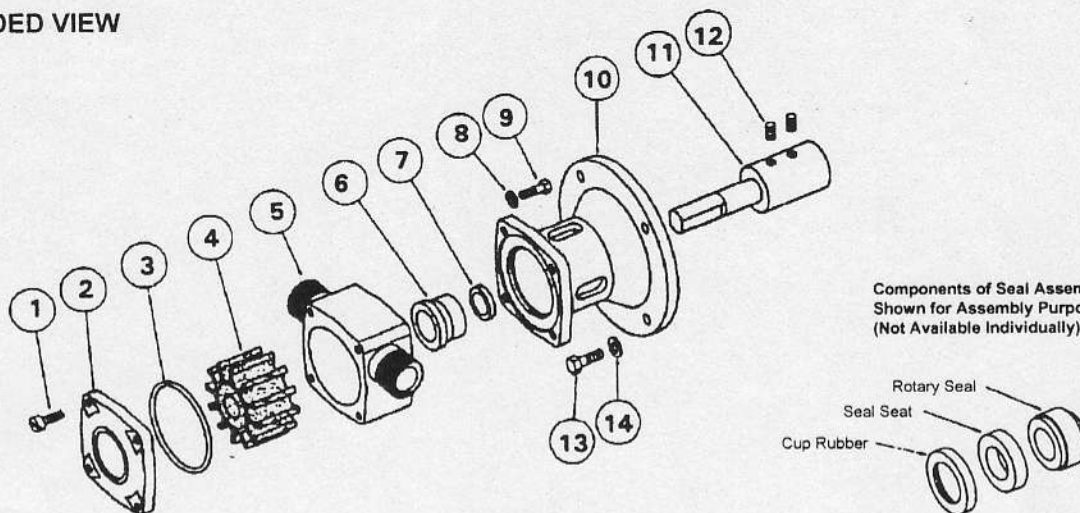


# Jabsco 28360 SERIES

## EXPLODED VIEW



| PARTS LIST                            |                |     | STANDARD PRESSURE IMPELLER |                           |                         | HIGH PRESSURE IMPELLER     |                           |                         |
|---------------------------------------|----------------|-----|----------------------------|---------------------------|-------------------------|----------------------------|---------------------------|-------------------------|
|                                       |                |     | Neoprene Elast: 28360-2101 | Nitrile Elast: 28360-2103 | Viton Elast: 28360-2104 | Neoprene Elast: 28360-2121 | Nitrile Elast: 28360-2123 | Viton Elast: 28360-2124 |
| Key                                   | Description    | Qty |                            |                           |                         |                            |                           |                         |
| 1                                     | Screw          | 4   | X3002-128F                 | X3002-128F                | X3002-128F              | X3002-128F                 | X3002-128F                | X3002-128F              |
| 2                                     | Endcover       | 1   | 28355-0000                 | 28355-0000                | 28355-0000              | 28355-0000                 | 28355-0000                | 28355-0000              |
| 3                                     | "O" Ring*      | 1   | X4020-269A                 | X4020-269A                | X4020-269B              | X4020-269A                 | X4020-269A                | X4020-269B              |
| 4                                     | Impeller*      | 1   | 14282-0001B                | 14282-0003B               | 14282-0004B             | 8840-0021B                 | 8840-0023B                | 8840-0024B              |
| 5                                     | Body           | 1   | 28354-2000                 | 28354-2000                | 28354-2000              | 28354-2000                 | 28354-2000                | 28354-2000              |
| 6                                     | Seal Assembly* | 1   | 28331-0103B                | 28331-0103B               | 28331-0104B             | 28331-0103B                | 28331-0103B               | 28331-0104B             |
| 7                                     | Spacer         | 1   | 28319-0002                 | 28319-0002                | 28319-0002              | 28319-0002                 | 28319-0002                | 28319-0002              |
| 8                                     | Washer         | 4   | X3080-091F                 | X3080-091F                | X3080-091F              | X3080-091F                 | X3080-091F                | X3080-091F              |
| 9                                     | Screw          | 4   | X3001-182F                 | X3001-182F                | X3001-182F              | X3001-182F                 | X3001-182F                | X3001-182F              |
| 10                                    | Adaptor        | 1   | 28323-0000                 | 28323-0000                | 28323-0000              | 28323-0000                 | 28323-0000                | 28323-0000              |
| 11                                    | Shaft Ext.     | 1   | 28367-0000                 | 28367-0000                | 28367-0000              | 28367-0000                 | 28367-0000                | 28367-0000              |
| 12                                    | Set Screw      | 2   | X3009-176A                 | X3009-176A                | X3009-176A              | X3009-176A                 | X3009-176A                | X3009-176A              |
| 13                                    | Screw          | 4   | X3001-180F                 | X3001-180F                | X3001-180F              | X3001-180F                 | X3001-180F                | X3001-180F              |
| 14                                    | Washer         | 4   | X3080-091F                 | X3080-091F                | X3080-091F              | X3080-091F                 | X3080-091F                | X3080-091F              |
| Service Kit Contains*                 |                |     | SK377-0101                 | SK377-0103                | SK377-0104              | SK377-0121                 | SK377-0123                | SK377-0124              |
| OTHER SEAL OPTIONS                    |                |     |                            |                           |                         |                            |                           |                         |
| Model No. With H/F Seal               |                |     | 28360-2201                 | 28360-2203                | 28360-2204              | 28360-2221                 | 28360-2223                | 28360-2224              |
| PARTS FOR APPROPRIATE SEAL CONVERSION |                |     |                            |                           |                         |                            |                           |                         |
| 6                                     | Seal H/F       | 1   | 28331-0203B                | 28331-0203B               | 28331-0204B             | 28331-0203B                | 28331-0203B               | 28331-0204B             |

## SERVICE INSTRUCTIONS

### Dis-Assembly

1. Remove screws (1), endcover and "O" ring. Remove screws (9) and slide off body complete with impeller. Remove seal seat and cup rubber and push out impeller from body.
2. Gently lever the spacer (7) and seal (6), off the shaft.

Removal of the following parts is not necessary for normal servicing. However if required then as follows:-

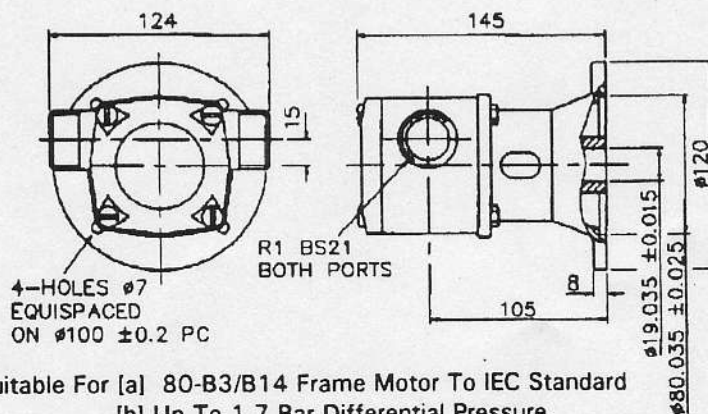
3. Remove screws (13) and washers (14) and slide off adaptor (10).
4. Loosen set screws (12), then applying heat and leverage slide off shaft extension. Do not heat damage epoxy coating of shaft, motor seal and bearing.

Do Not Tamper With Motor

### Assembly

1. To assemble shaft extension:- Support motor shaft (fan end). Align set screws (12) with the shaft keyway and press on the shoulder of the shaft extension. Tighten set screws (12).
2. Slide seal spacer on shaft then smear shaft with oil and push rotary seal gently until it touches the spacer.
3. Fit adaptor to motor with screws (13) and washers (14).
4. Fit impeller into lubricated body with a twisting motion in the same rotation as motor. Fit cup rubber and seal seat into body.
5. Slide this assembly over shaft and fit with screws (9) and washer (8) to adaptor.
6. Fit "O" ring into endcover and secure with screws (1) onto body.

## INSTALLATION DRAWING



Inspect all parts for wear or damage and replace if necessary.