



020 Size Flexible Impeller AC Motor Pump Unit

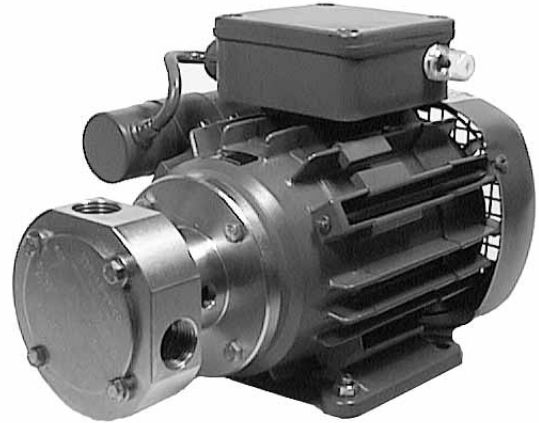
2/99

28140 Series

Stainless Steel Flexible Impeller Pump

Features

- Self prime from dry up to 1.5 metres
- Flows up to 20 litres per minute
- Pressure up to 1.5 bar
- Will handle hard or soft solids
- Will tolerate abrasive wear
- Non pulsating flow
- Will handle viscosities up to 500 centiPoise
- Uses standard IEC motor



Typical Applications

- **Industrial** : Industrial filling systems, utility shop pump, transfer systems, recharge water softeners, sump emptying, cooling tower circulation, line cleaning, heat exchangers, air scrubbers, laboratory circulation, oil changing.
- **Food, Beverage & Dairy** : Vending Machines, refrigeration condensate pump out, wash down equipment & floor cleaning.
- **Further applications** in the industrial, marine, farming & plumbing sectors, see our Bronze range of Flexible Impeller pumps

Specifications

Seal : Mechanical face, Carbon on Ceramic, Butyl elastomers
 Mechanical face, Carbon on Ceramic, Viton® elastomers.

Pump Head : Stainless steel 316

End Cover : Stainless steel 316

Bearings : Uses motor bearings

Shafts : Stainless steel 316 shaft extension

Ports : ½" BSP (internal) to BS21 (DIN2999)

Weight : 7kg

Model Options

Impeller option				Neoprene	EPDM	Nitrile	Viton®
Temperature range				4°C to 80°C	0°C to 120°C	-5°C to 90°C	10°C to 90°C
Poles	Volts	Amps	RPM				
4	230	2.13	1450	28140-2111	28140-2112		
Pump head only				28141-2111			


Motors are single phase, 180 Watt, 50 Hertz, AC. Face & Foot mounting B3-B14.

Enclosure IP55, frame size 63 all IEC 72 standard. Fitted with manual reset thermal overload.


Note : it is not recommended to start the pump at extreme ends of the temperature range, impeller damage may occur

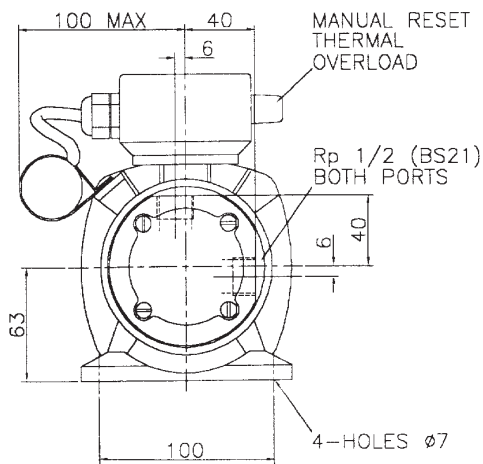
For Installation, Operating, Maintenance and Safety Instructions refer to form 43001-0543

⚠ WARNING Explosion hazard. Do not pump gasoline, solvents, thinners or other flammable liquids. To do so can cause an explosion resulting in injury or death.

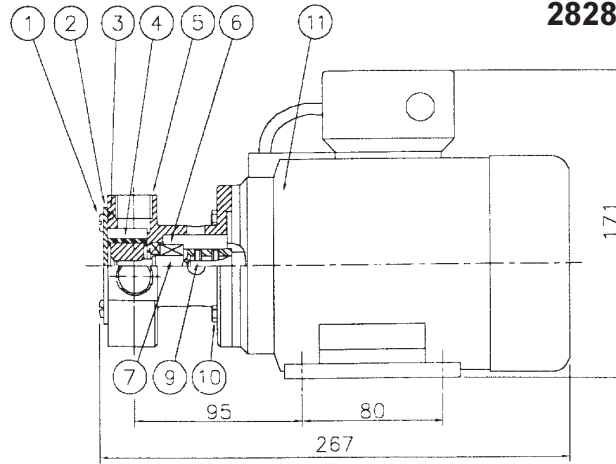


⚠ WARNING Fire hazard. Wiring must comply with applicable electrical standards and include a properly sized fuse or circuit breaker. Improper wiring can cause a fire resulting in injury or death





28280 Series



Dimensions in mm

Parts List

Key	Description	Qty	Part Number
1	Screw *	3	X3002-147F
2	Endcover	1	10106
3	O'Ring *	1	See below
4	Impeller	1	See below
5	Body	1	28144-2000
6	Seal Assembly *	1	See below
7	Shaft Extension Kit	1	53017-0000
9	Set Screw	2	X3009-093F
10	Screw M4 x 16	4	X3001-153F
11	Motor	1	SP8012-0260

Parts marked * Contained in service kit

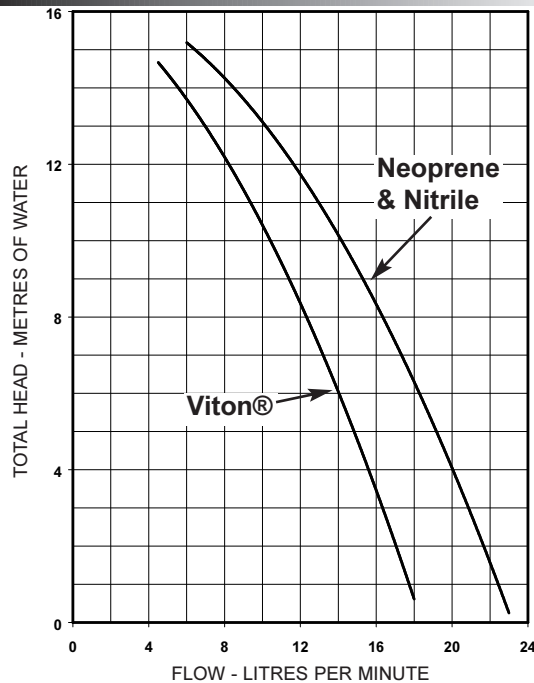
Commonly used spare parts & service kit numbers:

Elastomers	Neoprene	EPDM	Nitrile	Viton®
Impeller key 4	7273-0001	7273-0002	7273-0003	7273-0004
O'Ring key 3	SP2000-41	SP2000-77	SP2000-41	SP2000-77
Mechanical seal 6	SP8021-0301	SP8021-0301	SP8021-0301	SP8021-0301
Service kit contains parts as shown above	SK418-0011		SK418-0013	SK418-0014

All models use mechanical seal with Butyl elastomers.

Viton is a registered trademark of DuPont Dow Elastomers

Performance



Note : Performance shown is for a new pump, pumping water at 20°C, performance may vary by up to 15%. Consult factory for performance of alternative impeller compounds.

Jabsco



ITT Industries

USA

Jabsco
1485 Dale Way
Costa Mesa
CA 92628-2158

Tel : +1 714 545 8251
Fax : +1 714 957 0609

UK

Jabsco
Bingley Road
Hoddesdon
Hertfordshire, EN11 0BU

Tel : +44 (0) 1992 450 145
Fax : +44 (0) 1992 467 132

GERMANY

Jabsco GmbH
Oststraße 28
22844 Norderstedt

Tel : +49 (0) 40 53 53 73 0
Fax : +49 (0) 40 53 53 73 11