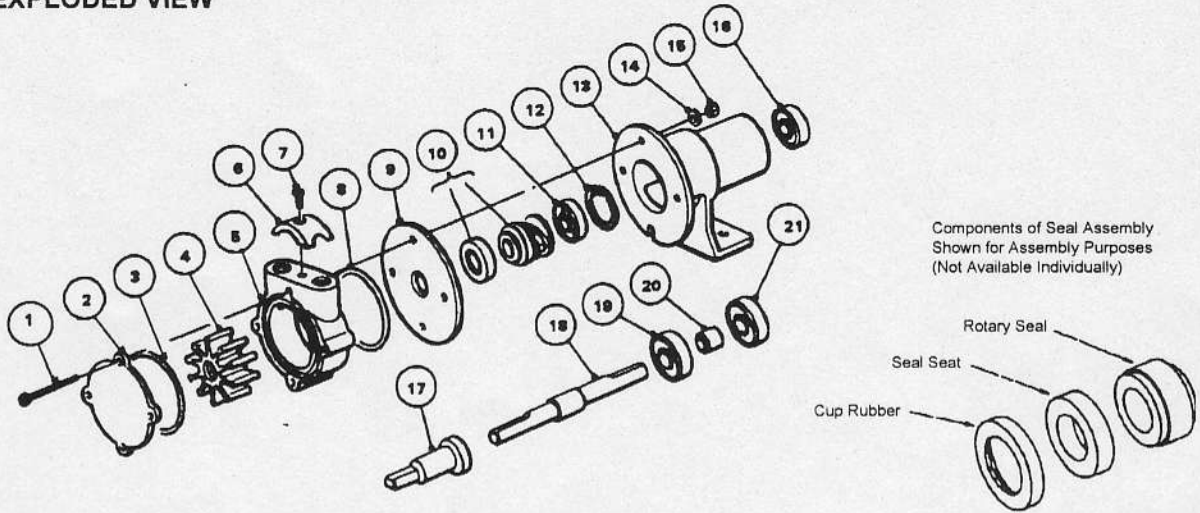


Jabsco 28130 SERIES

EXPLODED VIEW



PARTS LIST			HIGH PRESSURE IMPELLER		
			Neoprene Elast:	Nitrile Elast:	Viton Elast:
Key	Description	Qty	28130-2121	28130-2123	28130-2124
1	Screw	4	SP1094-21	SP1094-21	SP1094-21
2	Endcover	1	10106	10106	10106
3	"O" Ring*	1	SP2000-41	SP2000-41	SP2000-77
4	Impeller*	1	14874-0021B	14874-0023B	14874-0024B
5	Body	1	864-200	864-200	864-200
6	Cam	1	900	900	900
7	Screw	1	SP1041-01	SP1041-01	SP1041-01
8	"O" Ring*	1	SP2000-41	SP2000-41	SP2000-77
9	Wearplate	1	22844-0001	22844-0001	22844-0001
10	Seal Assy*	1	SP6080-28B	SP6080-28B	SP6080-29B
11	Lip Seal	1	SP2700-98	SP2700-98	SP2700-98
12	Retaining Ring	1	SP1700-137	SP1700-137	SP1700-137
13	Bearing Housing	1	17003-0000	17003-0000	17003-0000
14	Washer	4	SP1602-12	SP1602-12	SP1602-12
15	Nut	1	SP1085-12	SP1085-12	SP1085-12
16	Lip Seal	1	SP2700-97	SP2700-97	SP2700-97
17	Drive Sleeve	1	17006-0000	17006-0000	17006-0000
18	Shaft/Sub Assbly	1	12583-0000	12583-0000	12583-0000
19	Ball Bearing	1	SP2600-47	SP2600-47	SP2600-47
20	Spacer	1	14326-0000	14326-0000	14326-0000
21	Ball Bearing	1	SP2600-47	SP2600-47	SP2600-47
Service Kit Contains*			SK176	SK176-37	SK176-59

SERVICE INSTRUCTIONS

Dis-Assembly

1. Remove nuts (15) and washers (14).
2. Remove pump head from bearing housing.
3. Push out impeller from body. Note:- Removal of cam (6) and cam screw (7) is not necessary for normal servicing.
4. Remove seal seat and cup rubber from body.
5. Remove drive sleeve from shaft. Remove rotary seal from drive sleeve (17).
6. From pedestal remove lip seal (11) and retaining ring (12).
7. Remove shaft and bearing assembly from body end of pedestal by pressing on drive end of shaft.
8. Press lip seal (16) out of pedestal.
9. Remove bearings and spacer from shaft by supporting bearing (19) and pressing shaft through bearings, pressing on drive end of shaft.

Assembly

1. Press shaft through bearings up to shoulder on shaft, keeping spacer between bearings and supporting inner race.
2. Pack area between seals and bearings with bearing grease, (two thirds full).
3. Lubricate O.D. of bearings with a light oil and install shaft and bearing assembly into pedestal. Keep bearings aligned with bore.
4. Install retaining ring (12).
5. Lubricate lip and O.D. of seals with grease and press seals into pedestal, (seal lip faces away from bearing).
6. Lubricate rotary seal with water and slide on drive sleeve (17). Slide drive sleeve onto shaft.
7. Install ceramic seal seat into cup rubber. Lubricate outer surface of seal seat assembly with water and push assembly into wearplate (9) with ceramic seat facing out of bore.
8. Install impeller in lubricated body with a twisting motion in the same rotation as motor.
9. Fit pump head on bearing pedestal locating drive flats in impeller hub with drive sleeve flats.
10. Install "O" ring in body and secure pump head to bearing housing with screw (13), washer (14) and nuts (15).

Inspect all parts for wear or damage and replace if necessary.

INSTALLATION DRAWING

