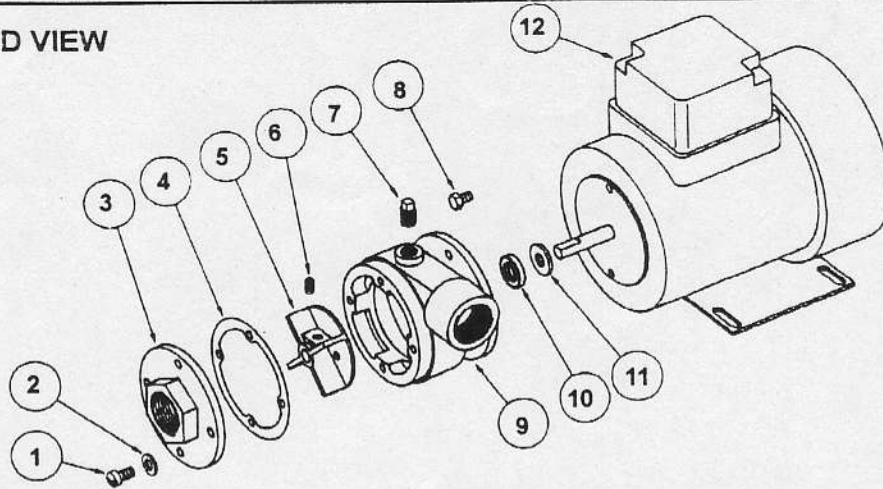


EXPLODED VIEW



Key	Description	Qty	Part No.
1	Endcover Screw	4	SP1003-0230
2	Washer	6	SP1602-02
3	Endcover	1	18514-0000
4	Gasket	1	18516-0000
5	Impeller	1	18515-0000
6	Impeller Screw	1	SP1083-04
7	Body Plug	1	SP2650-06
8	Motor Screw	1	SP1106-0234
9	Body	1	18513-0000
10	Lip Seal	1	SP2701-52
11	Slinger	1	6342
12	Motor	1	SP8012-0138

Head Kit 23721-2200 contains all parts except key 12

Motor Spares for SP 8012-0138

Part No.	Description
X 5501-019B	Capacitor
X 5501-020B	Motor Cowl

Motor is not user servicable.No other spares are available.Motor has a auto reset thermal trip.If motor stops allow to cool before restarting

Dis - Assembly

1. Remove the endcover screws, endcover and gasket.
2. Remove pipe plug in the top of the pump body and rotate the impeller so that the set screw aligns with the plug hole.Using a 3/32" allen key through the plug hole,loosen the screw and remove impeller.
3. Remove the screws securing the body to the motor and remove the body
4. From the inside of the body,insert a dowel into the seal area and press the seal out of the seal bore.

Assembly

1. From the rear of the body,press the seal into the seal bore with the lip positioned downwards.
2. Apply a small amount of grease to the motor shaft in the area where the seal will finally contact it.Slide the body onto the shaft and secure it to the motor with the two mounting screws.
3. Remove the pipe plug from the pump body.Align the bronze impeller so that the setscrew is positioned on the shaft flat,with the screw visible through the pipe plug.Press the impeller fully onto the shaft,and then pull it out about 1.5mm and secure the set screw with a 3/32" allen wrench.Rotate the impeller making sure that it does not rub on the body,and then replace the pipe plug.
4. Ensure that the body and endcover surfaces are clean.Align the gasket and endcover with the pump body and secure with the endcover screws.

INSTALLATION DRAWING

