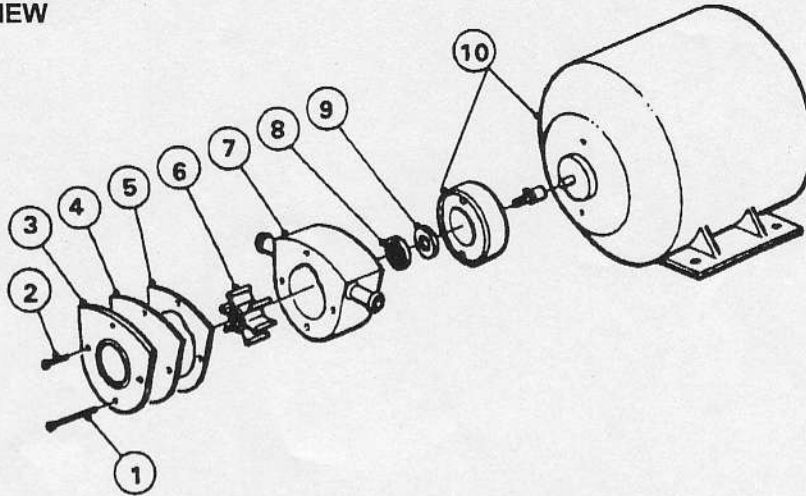


Jabsco 23490 : 23491 SERIES

EXPLODED VIEW



PARTS LIST			MEDIUM PRESSURE IMPELLER		
			Neoprene Elast: 23490-8411	Nitrile Elast: 23490-8413	Viton Elast: 23490-8414
Key	Description	Qty			
1	Screw	2	91014-0010	91014-0010	91014-0010
2	Endcover Screw	2	91014-0020	91014-0020	91014-0020
3	Endcover	1	12555-0000	12555-0000	12555-0000
4	Wearplate	1	12557-0000	12557-0000	12557-0000
5	Gasket*	1	12558-0000	12558-0000	12558-0000
6	Impeller*	1	7273-0011B	7273-0013B	7273-0014B
7	Body	1	12554-0000	12554-0000	12554-0000
8	Seal*	1	SP2701-52	SP2701-52	SP2701-0870
9	Slinger	1	6342	6342	6342
10	Motor Assembly	1	22907 22907	22907 22907	22907 22907
Service Kit Comprises*			SK126-0411	SK126-0413	SK126-0414
Model 23491 as above except Key 10			23491-8411	23491-8413	23491-8414

SERVICE INSTRUCTIONS

Dis-Assembly

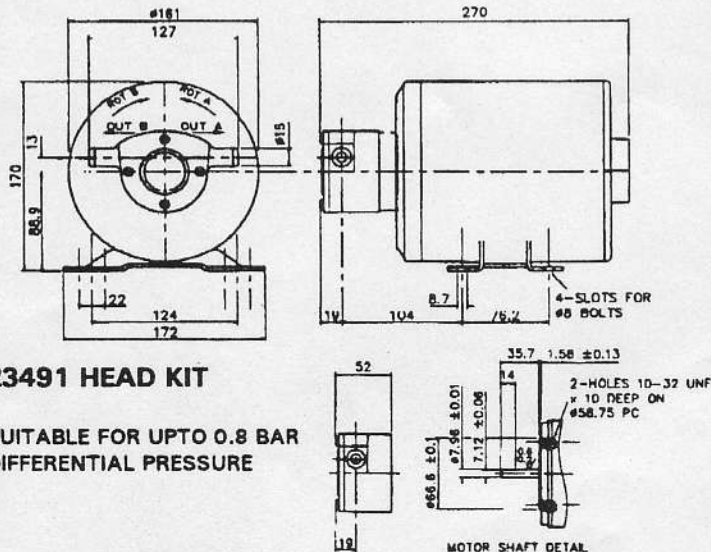
1. Remove top and bottom endcover screws and remove pump head from motor.
2. Remove remaining endcover screws.
3. Remove endcover, wearplate and gasket.
4. Withdraw impeller.
5. Press seal out of cavity from impeller bore side.

Note: Do not tamper with or disassemble motor.

Assembly

1. Lubricate seal and press into seal cavity, with spring facing impeller.
2. Install slinger on shaft 2mm from motor hub. Lubricate motor shaft.
3. Locate body on motor.
4. Align flat in impeller with motor shaft flat and install impeller into lubricated body with a twisting motion in the same rotation as motor.
5. Replace gasket, wearplate, endcover and screws.
6. Secure pump head to motor with long screws.

INSTALLATION DRAWING 23490



23491 HEAD KIT

SUITABLE FOR UPTO 0.8 BAR DIFFERENTIAL PRESSURE

Inspect all parts for wear or damage and replace if necessary