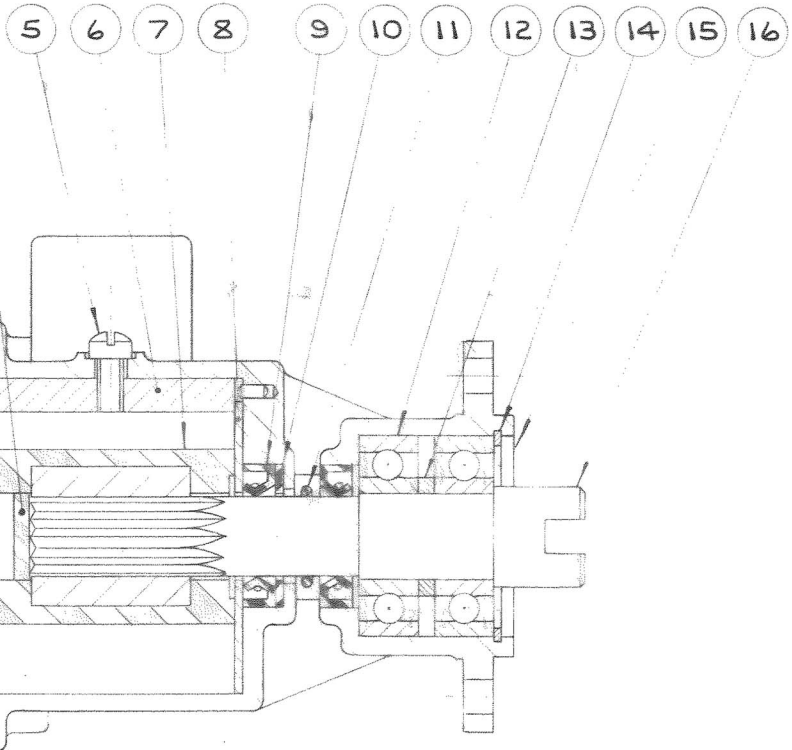


ALL DIMENSIONS IN MILLIMETRES

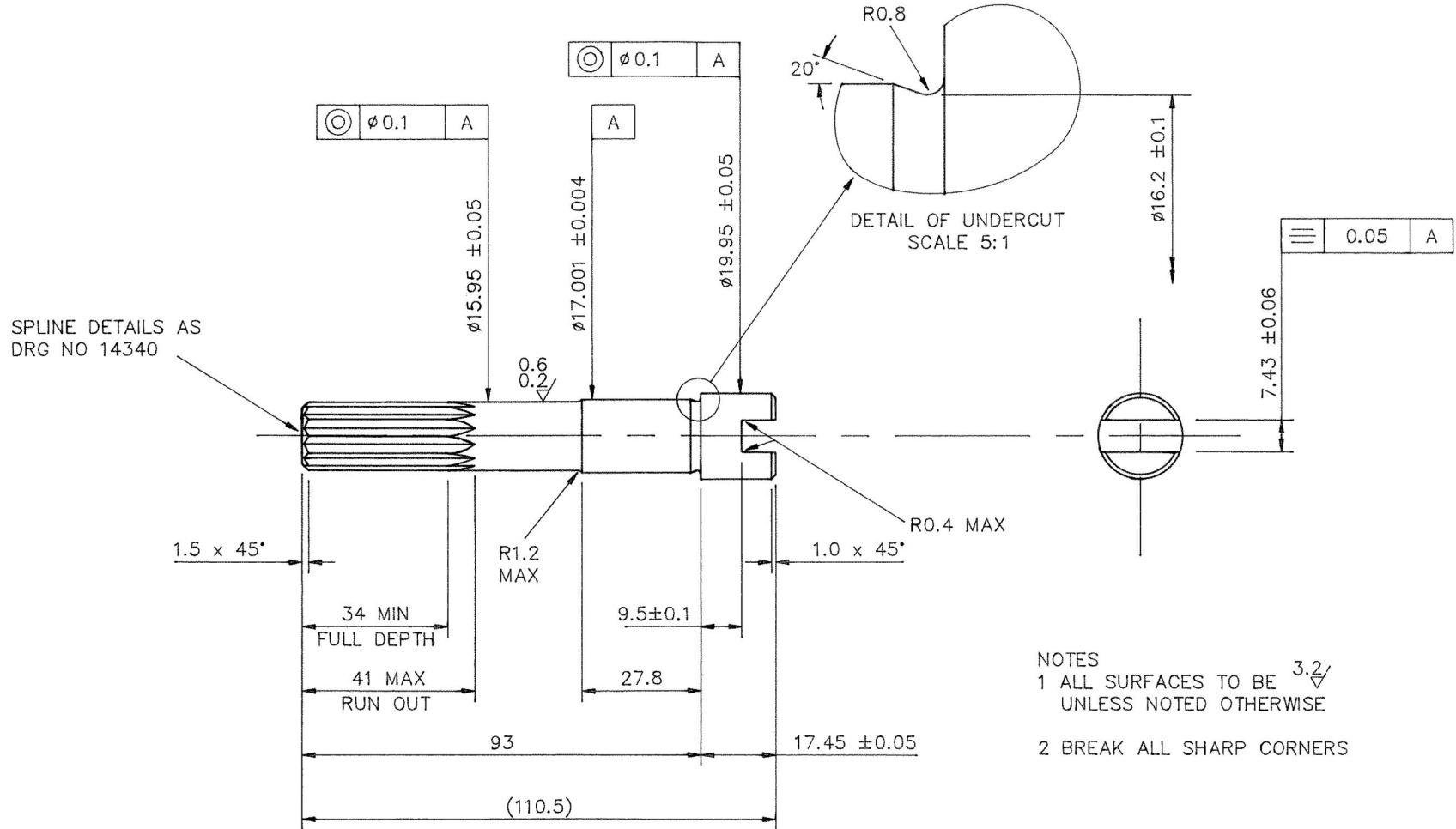


SECTION X-X

76 ± 1.5

KEY	PART. N°	DESCRIPTION
1	SP1003-0111	SCREW
2	3993	END COVER
3	890	GASKET
4	4345	SPLINE PLUG
5	SP1004-09	SCREW
6	23436-0000	CAM
7	920-0001	IMPELLER
8	4156	WEAR PLATE
9	SP2700-1027	SEAL
10	23431-0000	SPACER
11	X4020-215A	SLINGER
12	SP2600-12	BEARING
13	SP1613-1408	SPACER
14	SP1700-284	RETAINING RING
15	23434-1000	BODY
16	23437-0000	SHAFT

ALL DIMENSIONS IN MILLIMETRES



- NOTES
- 1 ALL SURFACES TO BE $3.2/\sqrt{\text{A}}$ UNLESS NOTED OTHERWISE
 - 2 BREAK ALL SHARP CORNERS

G:\JABSCO\SHAFTS\JS27

				<p>NOTICE</p> <p>THIS DRAWING MAY REPRESENT A PROPRIETARY ARTICLE OR ONE ON WHICH PATENTS ARE APPLIED FOR OR ISSUED. REPRODUCTION THEREOF OR MANUFACTURE OF PARTS THEREFROM IS NOT PERMISSIBLE WITHOUT THE WRITTEN PERMISSION OF ITT JABSCO</p>		<p>REMOVE SAND, FIN, FLASH & SCALE FROM CASTINGS, FORGINGS & MOULDINGS. PART TO BE FREE OF BURRS. TOLERANCES UNLESS OTHERWISE STATED:</p> <p>LINEAR \pm 0.5</p> <p>ANGULAR \pm 3°</p>		<p>DO NOT SCALE - REPORT ERRORS</p> <p>SCALE: 1:1</p> <p>DATE: 15/2/90</p>		<p>ITT Jabsco</p> <p>ITT Fluid Technology Corporation</p> <p>HODDESDON HERTS ENGLAND</p> <p>© 1989</p>	
ECN	23/2/95	ECN	26/3/90	ECN	15/2/90	<p>PROJECTION </p>		<p>APPROVED <i>B.N. Lock</i> 23/2/90</p>		<p>MATERIAL: 316 S 31 BS970</p>	
ECN	8213	ECN	6660	ECN	6563	<p>✓ = </p>		<p>DRAWN: J N R</p>		<p>TITLE: SHAFT 080</p>	
ISSUE	CHANGE	DATE	<p>PROJECTION </p>		<p>APPROVED <i>B.N. Lock</i> 23/2/90</p>		<p>DRAWING NO.: 23437-0000</p>		<p>A3</p>		