



# 080 Size Bronze Flexible Impeller Pump Head Kit

2/99

## 22870 Series

### Bronze Flexible Impeller Pump

#### Features

- Flows up to 80 Litres/Minute @ 1500 RPM
- Self prime from dry up to 5 metres
- Handles hard or soft solids
- Non pulsating flow
- Gentle pump action does not damage shear-sensitive products
- Easy to service and maintain



#### Typical Applications

**Industrial** : From water to the most difficult, e.g. transferring foaming solutions with entrained air or solids, such as soap, circulating abrasive and non abrasive slurries. Transferring inks, dyes, starches etc.

**Chemical** : Circulating and transferring various chemicals such as ammonia, barium, copper sulphate, glycerine, nickel chloride, silver nitrate; various acids such as boric, carbonic, citric and photo processing solutions, widely used for polyelectrolyte.

#### Model Options

Impeller option	Neoprene	Nitrile
Temperature range	4°C to 80°C	-5°C to 90°C
Pump head only	22870-2001	22870-2003

Note : it is not recommended to start the pump at extreme ends of the temperature range, impeller damage may occur

All models use Nitrile seal elastomers

Other options available, Pedestal & Motor pump units, in Bronze, Plastic & Stainless steel

#### Specifications

**Seal** : Carbon/Ceramic mechanical seal

**Pump Head** : Bronze

**End Cover** : Brass

**Bearings** : Uses motor bearings

**Shaft** : 316 Stainless steel shaft extension


**Motor adaptor** : Epoxy-coated aluminium, suitable for B3/B14 D80 frame motor to IEC 71 standard

**Ports** : 1" BSP internal thread


**Weight** : 2.6kg.

For Installation, Operating, Maintenance and Safety Instructions refer to form 43001-0543

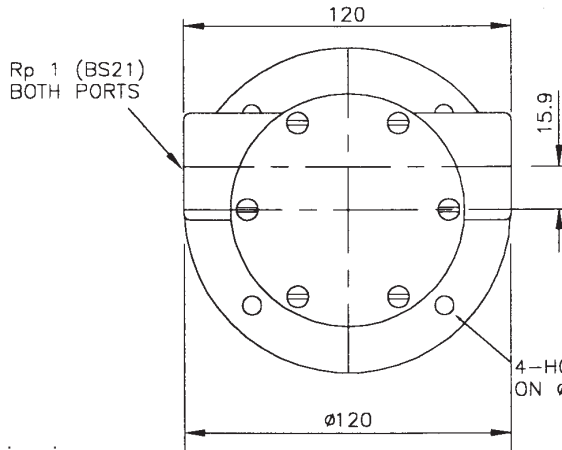
**WARNING** Explosion hazard. Do not pump gasoline, solvents, thinners or other flammable liquids. To do so can cause an explosion resulting in injury or death.



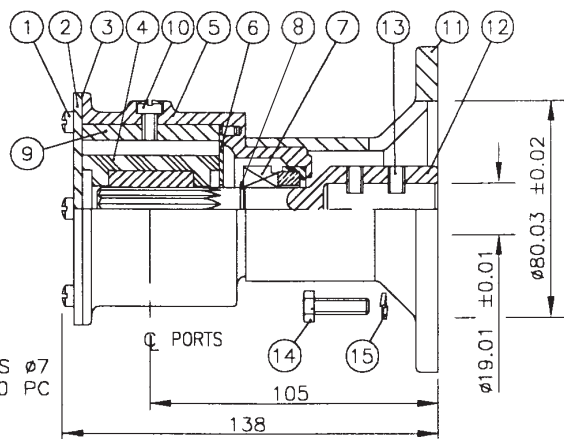
**WARNING** Injury hazard. Exposed pulleys and belts can cause injury. Install shield around pulleys and belts. Stay clear while machinery is operating.



**22870 Series**



Dimensions in mm

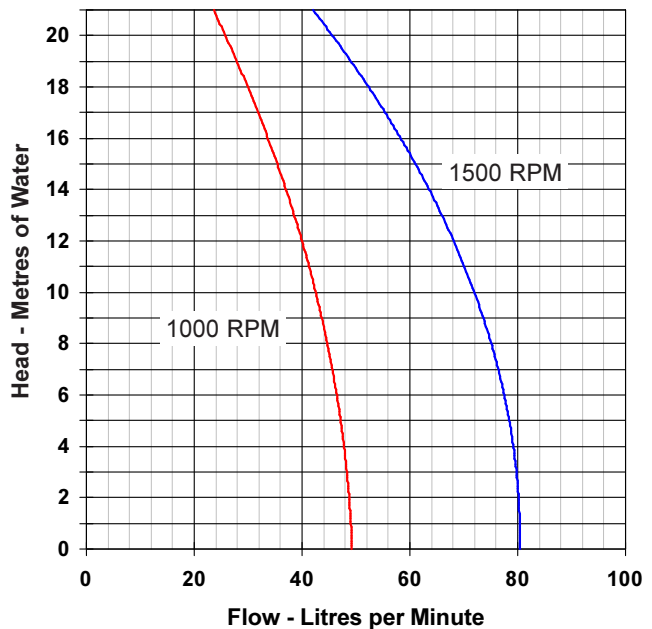


**Parts List**

Key	Description	Qty	Part No.
1	Screw*	6	SP1003-09
2	Endcover	1	3993
3	Gasket*	1	890
4	Impeller*	Neoprene	1 17937-0001
		Nitrile	1 17937-0003
5	Body	1	10329-200
6	Wearplate	1	4156
7	Seal assembly*	1	22626-6000
8	Retaining ring	1	SP1700-62
9	Cam	1	934
10	Screw	Cam	1 SP1004-09
11	Adaptor	1	22864
12	Extension	Shaft	1 22867-0010
13	Screw	Set	2 X3009-176A
14	Screw	4	X3001-182C
15	Washer	4	X3081-091C
Parts marked * above are contained in a Service kit			
Service kit	Neoprene	1	SK352
	Nitrile	1	SK229-37

Mechanical seals are fitted with Nitrile elastomers

**Parts List**



**Note** : Performance shown is for a new pump, fitted with a Neoprene impeller, pumping water at 20°C, performance may vary by up to 15%. Consult factory for performance of alternative impeller compounds.

**Jabsco**



**ITT Industries**

**USA**

**Jabsco**  
1485 Dale Way  
Costa Mesa  
CA 92628-2158

Tel : +1 714 545 8251  
Fax : +1 714 957 0609

**UK**

**Jabsco**  
Bingley Road  
Hoddesdon  
Hertfordshire, EN11 0BU

Tel : +44 (0) 1992 450 145  
Fax : +44 (0) 1992 467 132

**GERMANY**

**Jabsco GmbH**  
Oststraße 28  
22844 Norderstedt

Tel : +49 (0) 40 53 53 73 0  
Fax : +49 (0) 40 53 53 73 11