



200 Size Bronze Flexible Impeller Pump Head Kit

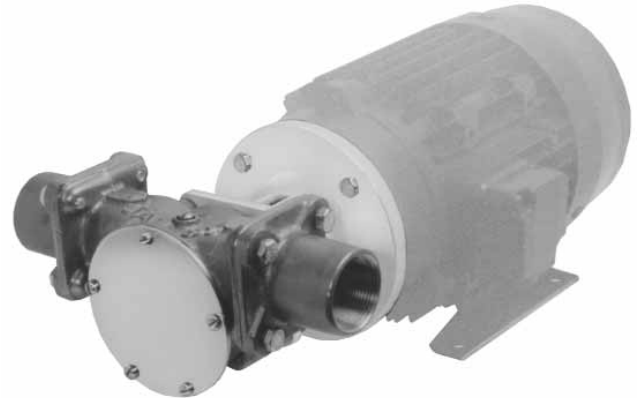
2/99

22880 Series

Bronze Flexible Impeller Pump

Features

- Flows up to 200 Litres/Minute @ 1500 RPM
- Self prime from dry up to 3.0 metres
- Handles hard or soft solids
- Non pulsating flow
- Gentle pump action does not damage shear-sensitive products
- Easy to service and maintain



Typical Applications

Industrial : From water to the most difficult, e.g. transferring foaming solutions with entrained air or solids, such as soap, circulating abrasive and non abrasive slurries. Transferring inks, dyes, starches etc.

Chemical : Circulating and transferring various chemicals such as ammonia, barium, copper sulphate, glycerine, nickel chloride, silver nitrate; various acids such as boric, carbonic, citric and photo processing solutions, widely used for polyelectrolyte.

Model Options

Impeller option	Neoprene	Nitrile
Temperature range	4°C to 80°C	-5°C to 90°C
Pump head only	22880-2001	22880-2003
Note : it is not recommended to start the pump at extreme ends of the temperature range, impeller damage may occur		
All models use Nitrile seal elastomers		
Other options available, Pedestal & Motor pump units, in Bronze, Plastic & Stainless steel		

Specifications

Seal : Carbon/Ceramic mechanical seal

Pump Head : Bronze

End Cover : Brass

Bearings : Uses motor bearings


Shaft : 316 Stainless steel shaft extension


Motor adaptor : Epoxy-coated aluminium, suitable for B3/B14 D100 frame motor to IEC 71 standard

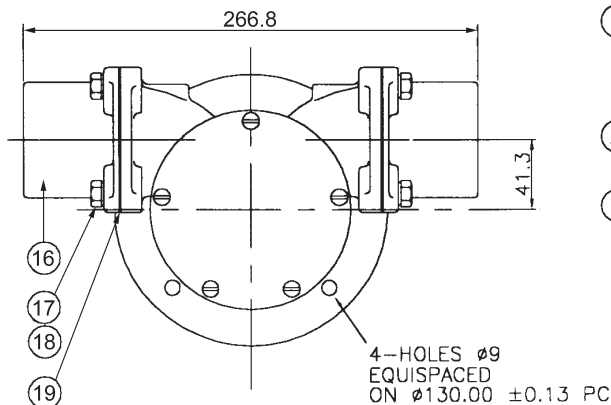
Ports : Flanged, adaptors available

Weight : 7.7kg.

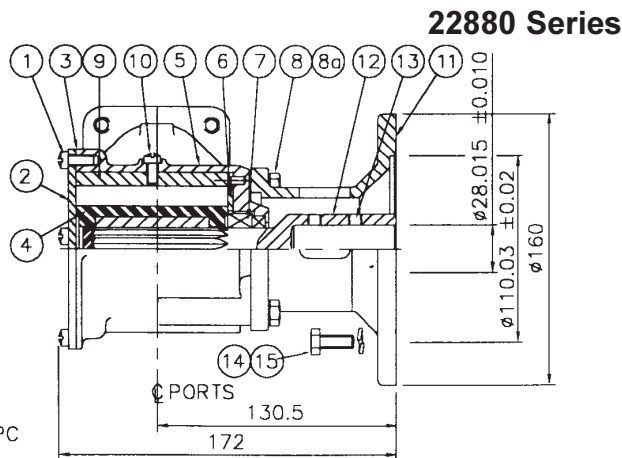
For Installation, Operating, Maintenance and Safety Instructions refer to form 43001-0543

WARNING  Explosion hazard. Do not pump gasoline, solvents, thinners or other flammable liquids. To do so can cause an explosion resulting in injury or death.

WARNING  Injury hazard. Exposed pulleys and belts can cause injury. Install shield around pulleys and belts. Stay clear while machinery is operating.



Dimensions in mm



Parts List

Key	Description	Qty	Part No.
1	Screw*	6	SP1005-04
2	Endcover	1	9336
3	Gasket*	1	816
4	Impeller*	Neoprene	1 836-0001
		Nitrile	1 836-0003
5	Body	1	10634
6	Wearplate	1	2574
7	Seal assembly*	1	21849
8	Screw	4	SP1095-28
8a	Washer	4	SP1602-13
9	Cam	1	834
10	Screw	Cam	1 SP1005-04
11	Adaptor	1	22884
12	Extension	Shaft	1 22887
13	Screw	Set	2 X3009-203A
14	Screw	4	X3001-209C
15	Washer	4	X3081-101C
16	Port adaptor #	1½" BSP	2 10941
		1½" NPT	2 10940
		2" Hose	2 10942
17	Screw #	8	SP1095-19
18	Washer #	8	SP1602-09
19	Gasket #	2	10948

Parts marked * above are contained in a Service kit

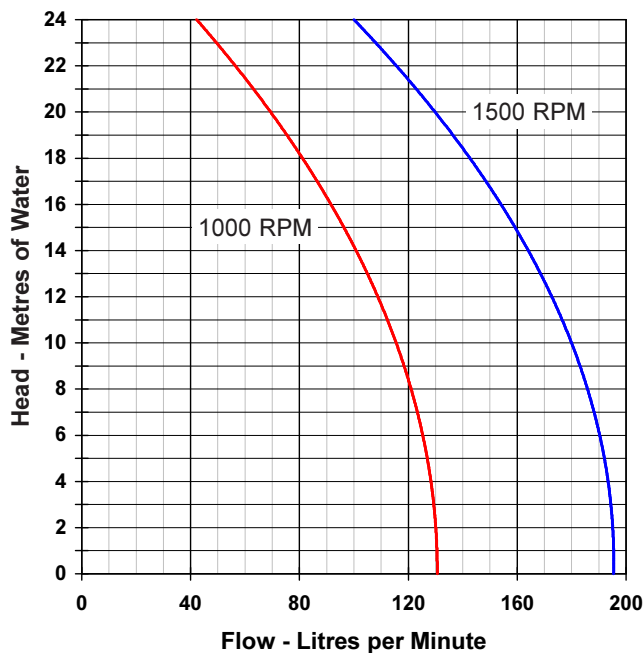
Service kit	Neoprene	1	SK230
	Nitrile	1	SK230-37

Parts marked # above are contained in an adaptor kit

Port adaptor kit	1½" BSP	1	K1-200
	1½" NPT	1	K1
	2" Hose	1	K1-01

Mechanical seals are fitted with Nitrile elastomers

Performance



Note : Performance shown is for a new pump, fitted with a Neoprene impeller, pumping water at 20°C, performance may vary by up to 15%. Consult factory for performance of alternative impeller compounds.

Jabsco



ITT Industries

USA

Jabsco
1485 Dale Way
Costa Mesa
CA 92628-2158

Tel : +1 714 545 8251
Fax : +1 714 957 0609

UK

Jabsco
Bingley Road
Hoddesdon
Hertfordshire, EN11 0BU

Tel : +44 (0) 1992 450 145
Fax : +44 (0) 1992 467 132

GERMANY

Jabsco GmbH
Oststraße 28
22844 Norderstedt

Tel : +49 (0) 40 53 53 73 0
Fax : +49 (0) 40 53 53 73 11