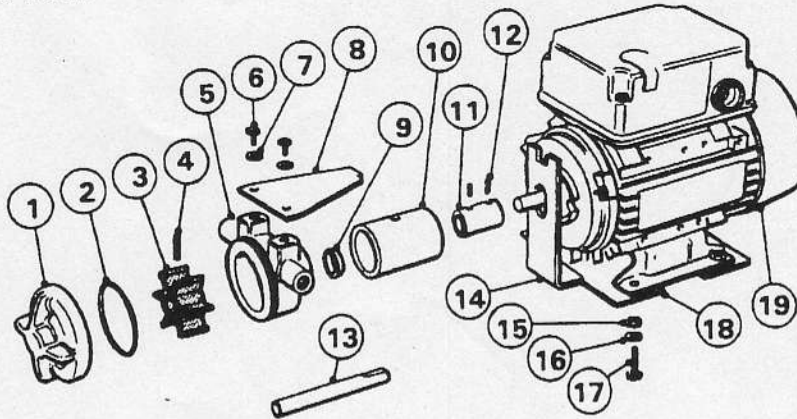


Jabscos 22340 : 22341 SERIES

EXPLODED VIEW



Model Now Obsolete - Data For Spare Parts Only

| PARTS LIST | | | MEDIUM PRESSURE IMPELLER | | | | |
|---|--------------------------------------|-----|-------------------------------|------------------------------|----------------------------|---------------------------------|---------------------------|
| Key | Description | Qty | Neoprene Elast: 22341-8411 | Nitrile Elast: 22341-8413 | Viton Elast: 22341-8411 | Hast "B" Shaft 22341-02-8411 | Titanium 22341-15-8411 |
| 1 | Endcover with Bearing | 1 | 8187 | 8187 | 8187 | 8187 | 8187 |
| 2 | "O" Ring* | 1 | SP2000-59 | SP2000-59 | SP2000-79 | SP2000-59 | SP2000-59 |
| 3 | Impeller* | 1 | 3398-0011B | 3398-0013B | 3398-0014B | 3398-0011B | 3398-0011B |
| 4 | Impeller Screw* | 1 | SP1029-07 | SP1029-07 | SP1029-07 | SP2850-03 | 3452-15 |
| 5 | Body with Bearing | 1 | 8188 | 8188 | 8188 | 8188 | 8188 |
| 6 | Screws | 2 | SP1095-32 | SP1095-32 | SP1095-32 | SP1095-32 | SP1095-32 |
| 7 | Lockwashers | 2 | SP1602-06 | SP1602-06 | SP1602-06 | SP1602-06 | SP1602-06 |
| 8 | Torque Arm | 1 | 22345 | 22345 | 22345 | 22345 | 22345 |
| 9 | Seal* | 1 | SP3000-08 | SP3000-08 | SP3000-08 | SP3000-08 | SP3000-08 |
| 10 | Coupling Guard | 1 | 22349 | 22349 | 22349 | 22349 | 22349 |
| 11 | Coupling | 1 | 22348 | 22348 | 22348 | 22348 | 22348 |
| 12 | Set Screws | 2 | X3009-145A | X3009-145A | X3009-145A | X3009-145A | X3009-145A |
| 13 | Shaft | 1 | 1983-01 | 1983-01 | 1983-01 | 1983-02 | 1983-15 |
| 14 | Torque Arm Stop Plate | 1 | 22346 | 22346 | 22346 | 22346 | 22346 |
| 15 | Nut | 4 | X3070-091C | X3070-091C | X3070-091C | X3070-091C | X3070-091C |
| 16 | Washer | 4 | X3081-091F | X3081-091F | X3081-091F | X3081-091F | X3081-091F |
| 17 | Bolt | 4 | X3004-182C | X3004-182C | X3004-182C | X3004-182C | X3004-182C |
| 18 | Mounting Plate | 1 | 22347 | 22347 | 22347 | 22347 | 22347 |
| 19 | Motor | 1 | SP8012-0137 | SP8012-0137 | SP8012-0137 | SP8012-0137 | SP8012-0137 |
| 20 | Endcover/Body Bearing (not shown) | 1 | 3625-1150 | 3625-1150 | 3625-1150 | 3625-1150 | 3625-1150 |
| Service Kit Comprises* | | | SK26-101 | SK26-101-37 | SK26-101-59 | - | - |
| Model 22340 As Shown Above Except Key 19 | | | 22340-8411 | 22340-8413 | 22340-8414 | 22340-8411 | 22340-15-8411 |

Note: Pumps With Hast "B" & Titanium Shafts With Nitrile & Viton Elastomers Are Available From Jabscos Distributor. Elastomer Part Numbers Are As Above.

SERVICE INSTRUCTIONS

Dis-Assembly

1. Remove torque arm.
2. Rotate coupling guard so that the hole lines up grub screw (pump shaft to coupling). Loosen grub screw with allen key and withdraw complete pump.

Note: For pump assembly follow instructions for 3010 Series.

Do not Tamper with Motor.

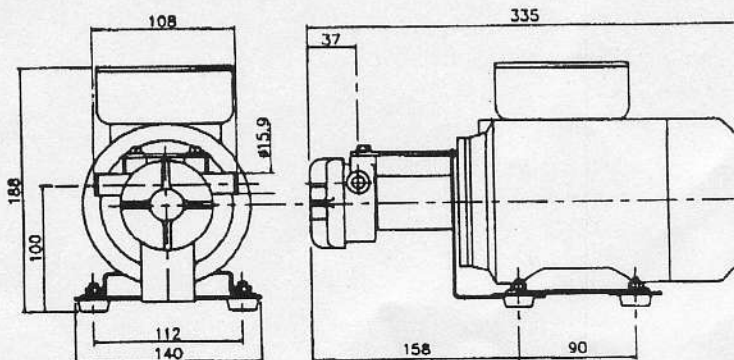
Assembly

Note: For pump dis-assembly follow instructions for 3010 Series then as follows:-

1. If coupling has been removed from motor shaft, refit and secure with set screw.
 2. Slide coupling guard over coupling, line up hole in guard with the coupling front grub screw.
- Note: Make sure that chamfered end of guard is facing away from motor.
3. Position shaft of assembled pump so that it abuts motor shaft then tighten grub screw with allen key.
 4. Refit torque arm making sure that the tongue fits into the slot of the torque arm stop plate.

Inspect all parts for wear or damage and replace if necessary

INSTALLATION DRAWING



SUITABLE FOR UP TO 0.8 BAR DIFFERENTIAL PRESSURE