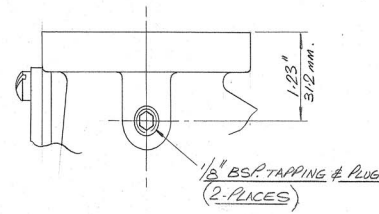
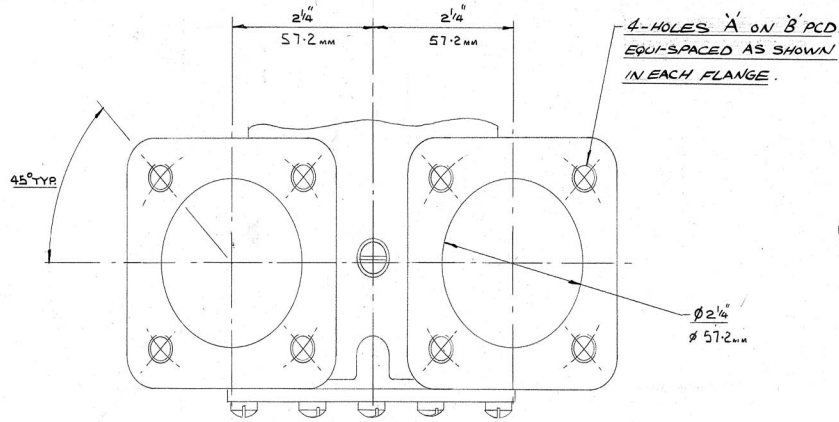
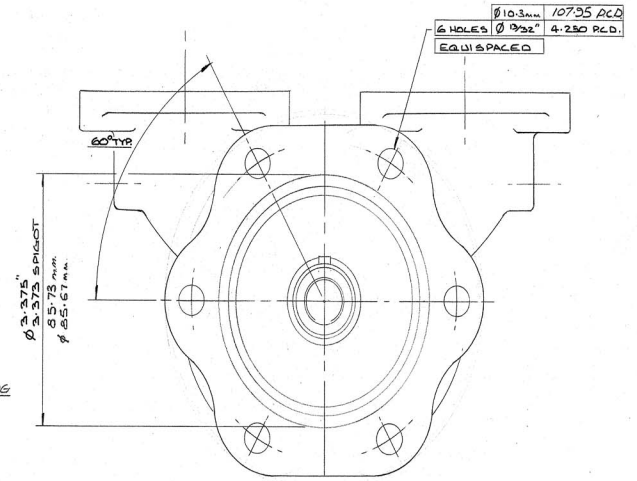


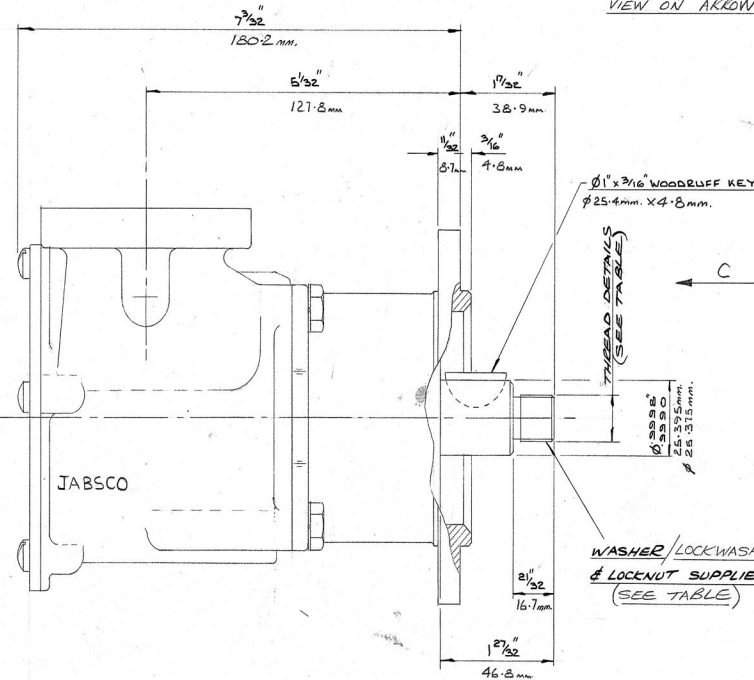
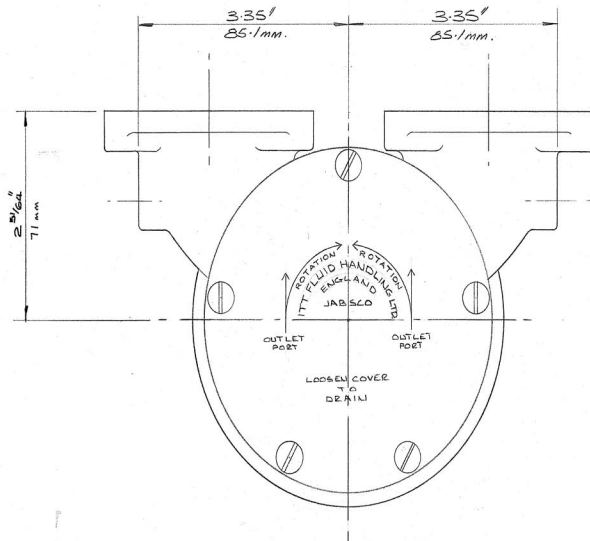
INSTALLATION	ASSEMBLY	B.O.M.	NOTES	A	B	THREAD DETAILS	GAUGE TAPPING
22040	22041	22042	---	$3/8$ "-16UNC (Ø 3.25" (82.55mm))	$5/8$ "-18UNF. 2A. - RIGHT HAND	---	---
22040-01	22041	22042-01	NOTE: INCLUDES ADAPTOR FLANGE AND OTHER ITEMS SUPPLIED LOOSE	$3/8$ "-16UNC (Ø 3.25" (82.55mm))	" " " " " "	" " " " " "	" " " " " "
22040-01/31	22041	22042-01/31	FITTED WITH REDUCED CAM.	M10 X G.H. 3.562" (90.47mm)	" " " " " "	" " " " " "	2-PLACES
22040-0531	22041	22040-0531	LOCKWASHER NOT SUPPLIED.	" " " " " "	$3/8$ "-18UNF. 2A. - LEFT HAND	" " " " " "	" " " " " "
22040-0501	22041	22040-0501	LOCKWASHER NOT SUPPLIED	" " " " " "	" " " " " "	" " " " " "	" " " " " "



DETAIL OF GAUGE TAPPING
(SEE TABLE)



VIEW ON ARROW 'C'



WASHER/LOCKWASHER
& LOCKNUT SUPPLIED.
(SEE TABLE)

ASSEMBLY INSTRUCTIONS ~ 22049
SERVICE KIT ~ SK318

DATE	Let	REVISION	REF.	BT	CR.	APP.
2011-12	A	METRIC DIMS. ADDED	3077	JK		
2011-07	B	ECO 3115		JK		
2011-06	C	ECO 3281		JK		
2011-06	D	ECO 3343		JK		
2011-06	E	ECO 3935		JK		
2011-06	F	ECO 4808		JK		
2011-06	G	ECO 4901		JK		

NOTES
MATERIAL SPEC:
DO NOT SCALE-REPORT ERRORS
REMOVE SAND & FINS FROM CASTINGS, FLASH & SCALE FROM FORGINGS.
SURFACE FINISH SPECIFICATIONS ARE IN MICRONS UNLESS OTHERWISE STATED. THE FOLLOWING APPLY.
PART TO BE FREE OF BURRS
DIMENSIONAL LIMITS DECIMAL $x \pm .010$, $x \pm .005$
FRACTIONAL $\pm 1/32$, ANGULAR $\pm 1/16$ $\sqrt{}$ = 22.5°

ITT FLUID HANDLING LIMITED
HODDESDON, HERTS, ENGLAND

DR.	ECO	16-5-76	E.O.
CK.	AKO	2-5-78	
APP.	AK	4	
TITLE			

INSTALLATION 2" MARINE PUMP
PART No. 22040 SERIES
SCALE 1:1
D