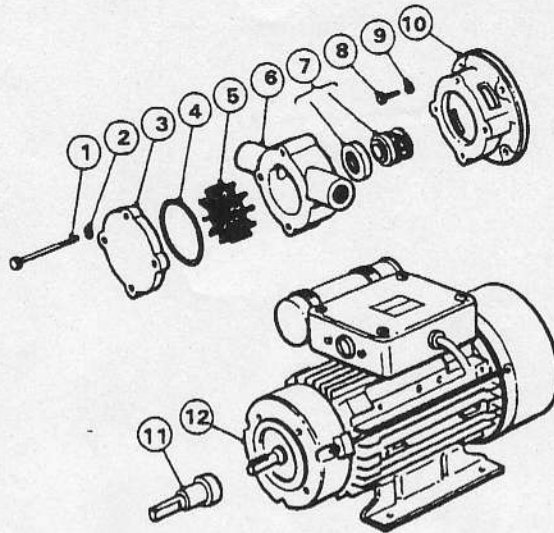
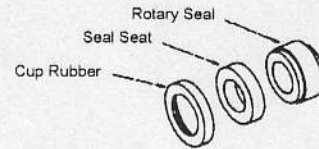


# Jabsco 21490 : 21560 SERIES

## EXPLODED VIEW



Components of Seal Assembly  
Shown for Assembly Purposes  
(Not Available Individually)



Motor Frame Size To IEC Standard			71-B3/B14				83-B3/B14#	71-B3/B14#
PARTS LIST			HIGH PRESSURE IMPELLER					
Key	Description	Qty	Neoprene Elast: 21490-9121	Nitrile Elast: 21490-9123	Viton Elast: 21490-9124	Standard Elast: 21560-9121	Neoprene Elast: 21560-00-9121	Neoprene Elast: 21560-01-9121
1	Bolt	4	SP1094-21	SP1094-21	SP1094-21	SP1094-21	SP1094-21	SP1094-21
2	Washer	4	SP1602-12	SP1602-12	SP1602-12	SP1602-12	SP1602-12	SP1602-12
3	Endcover	1	17005-0000	17005-0000	17005-0000	17005-0000	17005-0000	17005-0000
4	"O" Ring*	1	SP2000-41	SP2000-41	SP2000-77	SP2000-41	SP2000-41	SP2000-41
5	Impeller*	1	14874-0021B	14874-0023B	14874-0024B	14874-0021B	14874-0021B	14874-0021B
6	Body	1	17004-0000	17004-0000	17004-0000	17004-0000	17004-0000	17004-0000
7	Seal Assembly*	1	SP6080-28B	SP6080-28B	SP6080-29B	SP6080-28B	SP6080-28B	SP6080-28B
8	Screw	4	SP1106-231	SP1106-231	SP1106-231	SP1106-231	SP1106-231	SP1106-231
9	Washer	4	SP1602-20	SP1602-20	SP1602-20	SP1602-20	SP1602-20	SP1602-20
10	Adaptor	1	21494	21494	21494	21494	21564	21494
11	Drive Sleeve	1	23068-0000	23068-0000	23068-0000	23068-0000	17006-0000	17006-0000
12	Motor	1	SP8012-0199	SP8012-0199	SP8012-0199	Not Required	Not Required	Not Required
Service Kit Contains*			SK176	SK176-37	SK176-59	SK176	SK176	SK176

Note: Old Model 21490-00-9121 Includes Parts of 21560-01-9121 Above Plus Motor SP3004-811  
Nitrile and Viton Elastomers are Available for 21560 Series Part Nos. as for 21490 Series

## SERVICE INSTRUCTIONS

### Dis-Assembly

1. Remove bolt (1), endcover and "O" rings.
2. Remove pump head from adaptor.
3. Push out impeller from body.
4. Remove seal seat and cup rubber from body.
5. Remove rotary seal from drive sleeve. Note: Do not exert excessive axial or radial pressure on drive sleeve.
6. Remove adaptor from motor face.
7. Drive sleeve can not be removed, except for Models-21490-00-9121 : 21560-00-9121 and 21560-01-9121 which are not bonded.

### Assembly

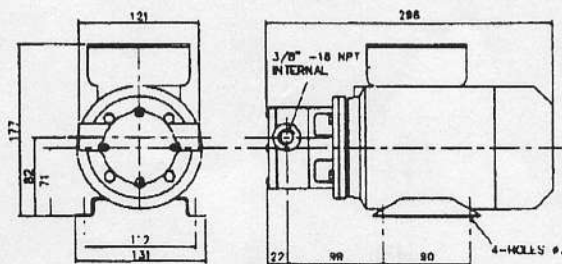
1. Bonding of drive sleeve 23068-0000 to motor shaft. Ensure surfaces are clean, free of grease, and dry. Apply a thin coat of epoxy resin adhesive (twin pack) to both surfaces. Slide drive sleeve onto shaft to dimension shown. Remove excess adhesive. Allow to cure as per adhesive instructions.
2. Slide rotary seal onto drive sleeve, up to the shoulder (use water for lubrication).
3. Assemble adaptor to motor face using screws (8) & washers (9) into adaptor using sealant.
4. Fit impeller into lubricated body with a twisting motion, ensuring same rotation as motor.
5. Fit cup rubber and ceramic seat into body (use water for lubrication).
6. Fit pump head to motor assembly.
7. Fit "O" ring and endcover and secure with bolt (1), washer (2).

Note: For models 21490-00-9121, 21560-00-9121, 21560-01-9121 drive sleeve does not require bonding, it is a slide fit only.

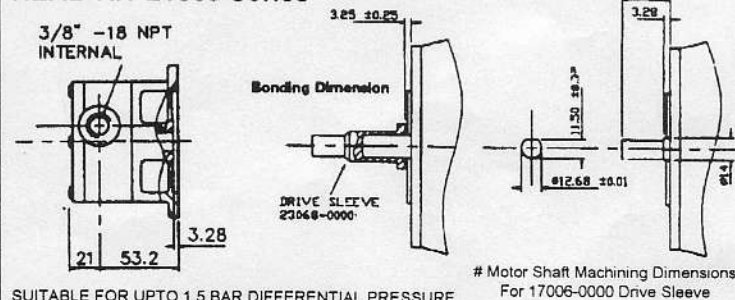
Inspect all parts for wear or damage and replace if necessary.

## INSTALLATION DRAWING 21490 Series

For 71 - B3/B14 Frame Motor To IEC Standard



## HEAD KIT 21560 Series



SUITABLE FOR UPTO 1.5 BAR DIFFERENTIAL PRESSURE

# Motor Shaft Machining Dimensions  
For 17006-0000 Drive Sleeve