

JABSCO® PUMPS

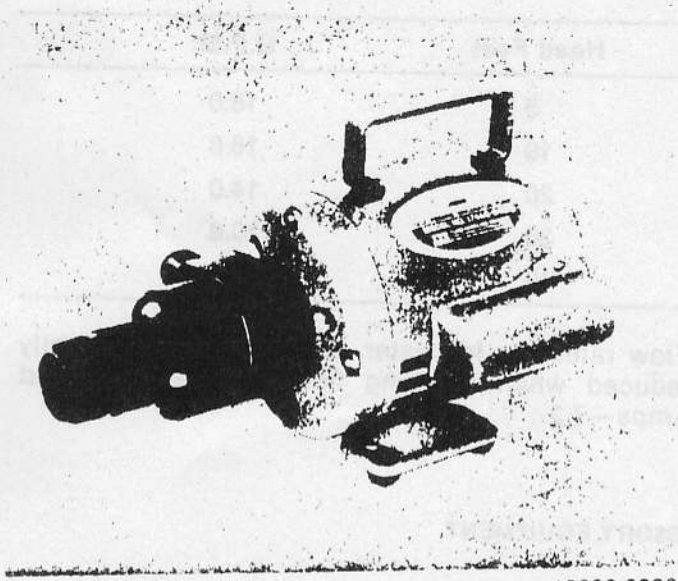
MODELS: 18690-0000
18690-0001

115 Volt A.C.
Product Data

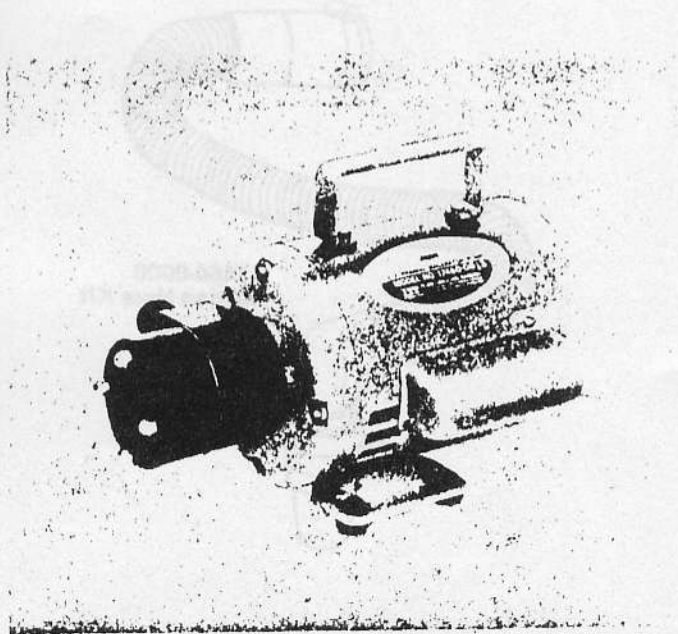
DESIGN FEATURES

- Pump: Self-Priming Flexible Impeller with Stainless Steel Wearplates
- Impeller: Jabasco Nitrile Compound
- Macerator: Cast Bronze Cutter Plate reduces particle size to 1/8" maximum
- Seal: Lip Type
- Ports: Model 18690-0000
Inlet — 1-1/2" External Pipe Thread
Outlet — 1" ID Hose Barb
Model 18690-0001
Inlet — 3" Slip-on Hose
Outlet — 1" ID Hose Barb
- Motor: 115 Volt A.C., Single Phase, 60 Cycle, Thermal Overload Protection
- Weight: 17 lbs. approx.

MODELS: 18690-0000, 18690-0001



18690-0000



18690-0001

APPLICATION INFORMATION

The 18690 series A.C. JABSCO macerator pump unit is the ideal answer to waste handling problems for marine, recreational vehicle and domestic uses. The macerator section grinds waste down to a particle size of 1/8" maximum so it can be pumped easily through a 1" hose discharge line. The pump section is self-priming, permitting the unit to be mounted above or below the tank in a convenient location. (For optimal efficiency locate pump as close to waste source as possible).

Empties most recirculating toilets in just one minute; empties a 30 gallon holding tank in only 3 minutes!

The 18690 series waste pump will macerate and pump all waste and tissue normally found in marine and recreational vehicle waste systems. IT WILL NOT HANDLE HARD SOLID OBJECTS, SANITARY NAPKINS OR RAGS.

INSTALLATION INSTRUCTIONS

Locating the Pump: The JABSCO A.C. macerator pump unit is self-priming to a six foot lift and may be located at any convenient point in the waste discharge system. (For optimal efficiency, locate pump as close to waste source as possible).

Plumbing Connections: For model 18690-0000, use minimum 1-1/2" I.D. non-collapsible suction hose. Two inch I.D. hose may be slipped over the inlet and clamped on the smooth area of the port. For model 18690-0001 use 3 inch I.D. non-collapsible hose and clamp on outside diameter of macerator housing.

All suction connections must be airtight and free of sharp bends or restrictions. Use minimum 1" I.D. contractors hose for discharge.

Be sure adequate voltage and current capacity is available in electrical installation.

OPERATING INSTRUCTIONS

Operation: The JABSCO macerator pump unit has been designed to handle waste, toilet tissue, and Kleenex. It will also handle solids such as filter tip cigarettes, cigars and chunks of soft fruits or

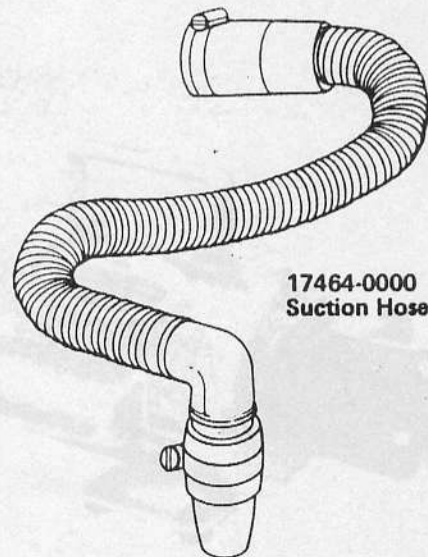
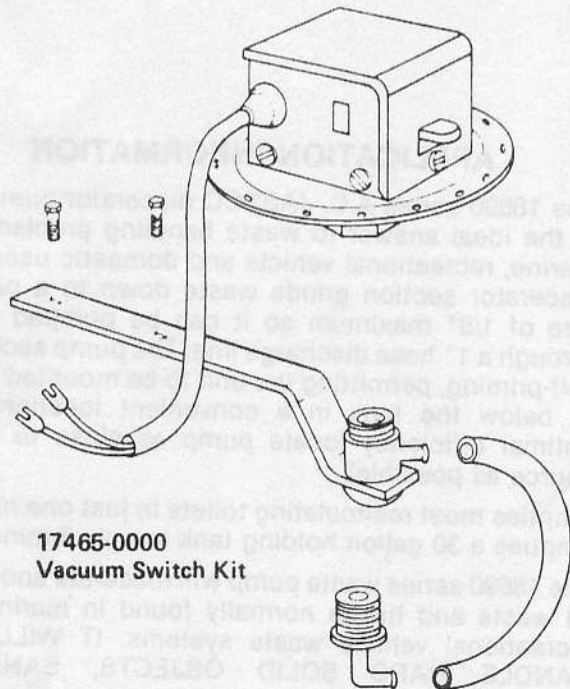
vegetables less than 1" in size. It will NOT pump solid objects like peach pits, rags, or sanitary napkins. The holding tank and pump should be flushed with several gallons of water after each pumpout. Do NOT run pump dry.

HEAD CAPACITY TABLE

Head Feet	G.P.M.
5	18.0
10	16.8
20	14.0
30	10.8
40	7.0

Flow rates are for water, capacity may be slightly reduced when handling heavy solids. Full load Amps—7.2.

AVAILABLE ACCESSORY EQUIPMENT



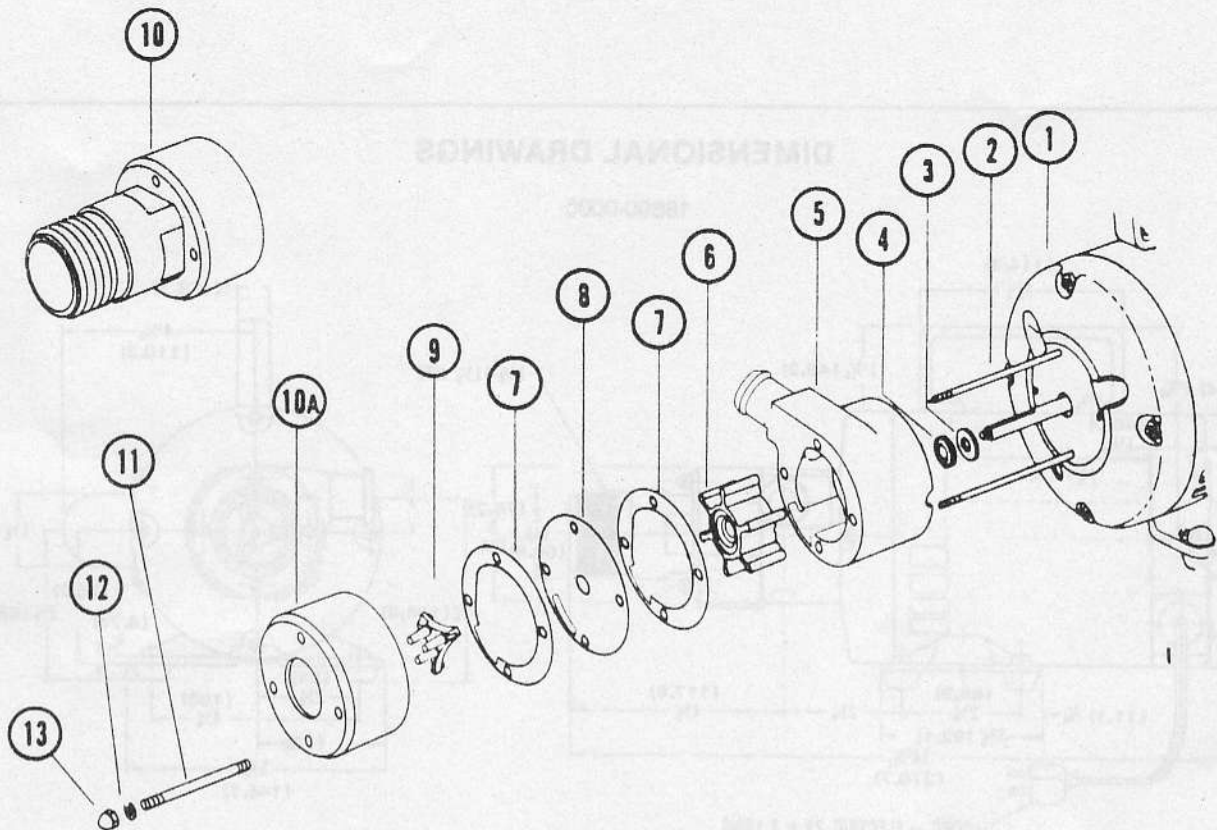
VACUUM SWITCH KIT

Provides convenient starting switch and automatic shutoff for 18 90-series Macerator Pump Unit. Eliminates need to "stand by" while pump is running, vacuum switch automatically shuts off motor when tank has been pumped dry. Complete kit includes switch, mounting bracket and connections.

SUCTION HOSE KIT

Make dockside pumpouts even easier with this accessory for the Jabsco AC Macerator/Pump Unit, 18690-0000. Includes 10' of heavy duty suction hose, hose clamps, and special right angle rubber nozzle with built-in check valve to fit standard 1-1/2" deck fittings.

EXPLODED VIEW



SERVICE INSTRUCTIONS 18690-Series

1. Remove acorn nuts and inlet housing.
2. Unscrew cutter plate from shaft by turning counterclockwise facing cutter blades. (Hold motor shaft behind plate to prevent turning.)
3. Remove gaskets, wearplate and slide pump assembly off mounting studs.
4. Replace seal, impeller gaskets or other parts as necessary. To remove seal, push out evenly with screwdriver from impeller bore side of body. To reassemble seal, coat outside of metal case with Permatex or similar sealant and press into body with lip facing impeller. A light coating of grease should be applied to impeller bore and wearplate to aid initial dry startup.
5. Reassemble body, impeller, gaskets, wearplate, cutter plate, suction housing and acorn nuts.

17460-Series

When servicing the 17460-0003 macerator, the 18598-0000 service/conversion kit must be used. This kit supplies all the components to completely convert the 17460-0003 to the 18690-0000 model.

When servicing the 17460-0013 macerator, use the 18598-0001 service/conversion kit. (Most 18690-series components do not fit the 17460 models.) Follow disassembly and assembly instructions shown above under 18690-Series.

PARTS LIST

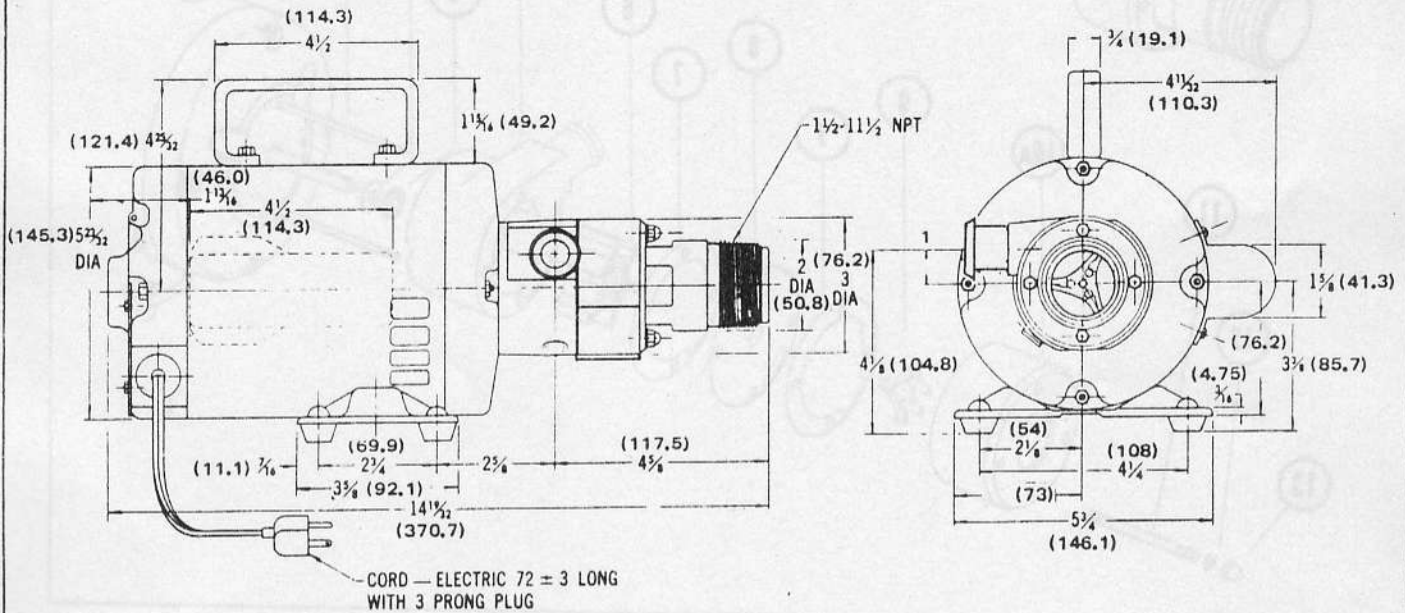
Key	Description	Part Number	Qty. Req.
1	Motor	93004-1840	1
2	Stud	17288-0000**	2
3	Slinger	6342-0000	1
4	Seal	92700-0910**	1
5	Body	18593-1000**	1
6	Impeller	7273-0001**	1
7	Gasket	18596-1000**	2
8	Wearplate	18597-1000**	1
9	Cutter Plate	18595-1000**	1
10	Macerator Housing	18594-1000*	1
10a	Macerator Housing	18594-1001**	1
11	Stud	17288-0010	2
12	Fiber Washer	91613-0140	4
13	Acorn Nut	91085-0340	4
14	Service/Conversion Kit	18598-0000	
15	Service/Conversion Kit	18598-0010	

*These parts are supplied in 18598-0000 service kit.

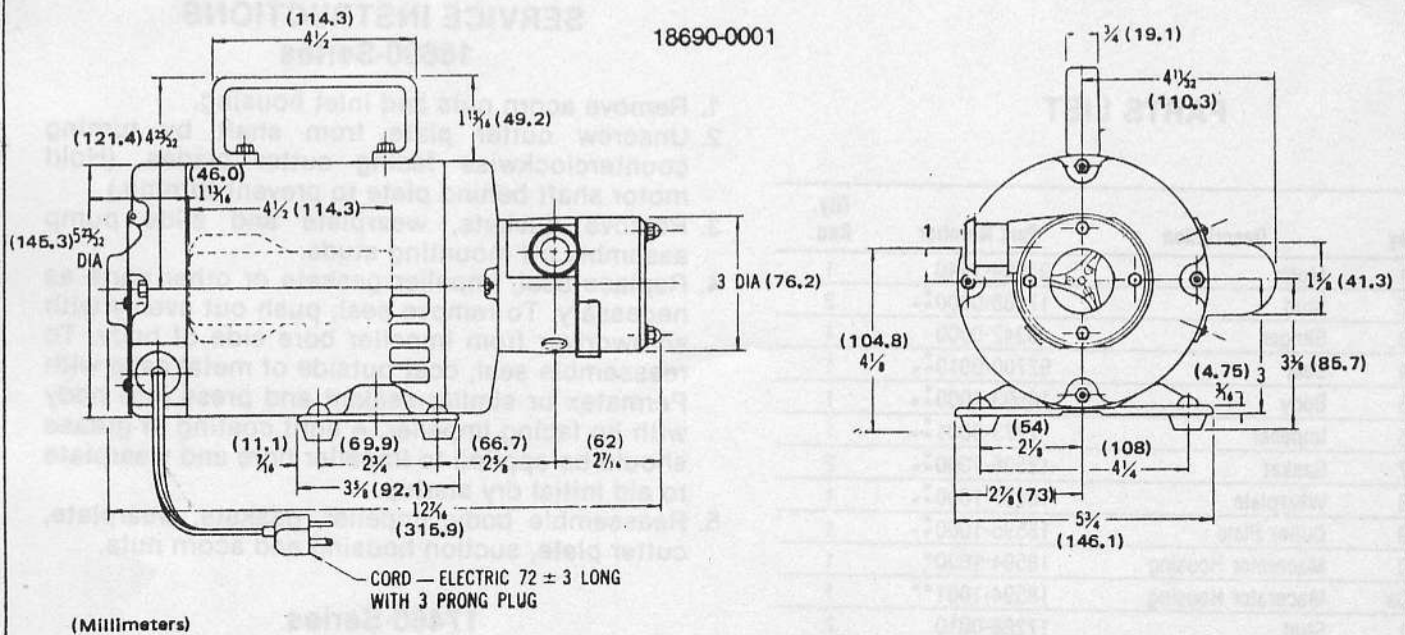
**These parts are supplied in 18598-0010 service kit.

DIMENSIONAL DRAWINGS

18690-0000



18690-0001



JABSCO PRODUCTS **ITT**

Marine and Recreation Components Division
International Telephone and Telegraph Corporation
1485 Dale Way, Costa Mesa, California 92626