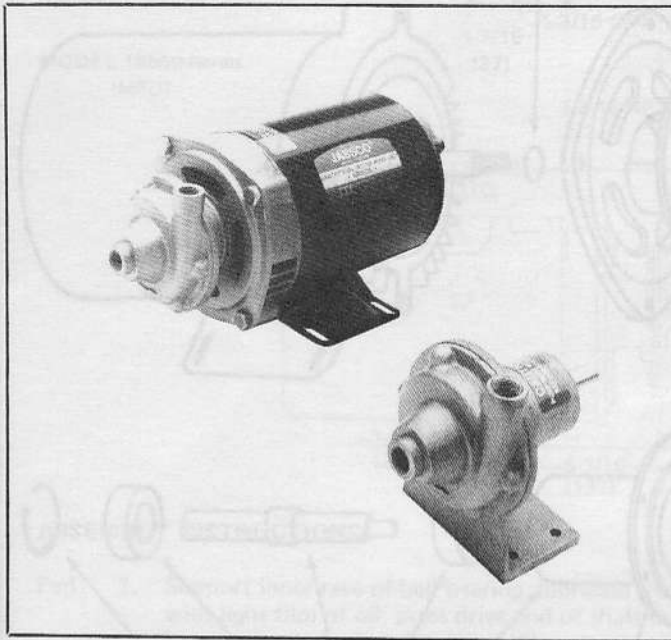




Model 18520-SERIES PEDESTAL MOUNT Model 18550-SERIES MOTOR PUMP UNIT



BRONZE CENTRIFUGAL FEATURES

Volute Body:	Bronze
Ports:	Inlet 3/8 inches NPT Discharge 3/8 inches NPT
Impeller:	Bronze
Pedestal:	Bronze
Shaft:	MPU 316 SS PED 304 SS
Seal:	Carbon/Ceramic Face with Buna-N
Motor:	1/3 HP, 115/1/60, 3450 RPM, Open Drip Proof, Thermal Overload Protected, No cord.
Weight:	18520-Series – 6-1/4 lb (2,8 kg) 18550-Series – 20-5/8 lb (9,4 kg)

Model 18520-SERIES, PED
Model 18550-SERIES, MPU

VARIATIONS AVAILABLE

MODEL	DESCRIPTION
18520-0000	Pedestal Mount with Buna-N Seal
18550-0000	Motor Pump Unit with Buna-N Seal

⚠ MOTOR WARNING

MOTOR CAN SPARK.
EXPLOSION & DEATH
CAN OCCUR.
DO NOT USE WHERE
FLAMMABLE VAPORS
ARE PRESENT.

DESCRIPTION

The Jabsco bronze centrifugal pumps are designed for continuous duty service. The close coupled, compact motor pump units are equipped with ball bearing motors and stainless steel shafts and have service factors of 1.5 or greater.

The pedestal mounted pumps are equipped with two single row ball bearings lubricated for long heavy duty service.

Mechanical rotary seals have carbon/ceramic seal faces with the choice of Buna N or Viton seal parts for application versatility. Unlike the usual Jabsco pump, the Jabsco centrifugal pumps are *not* self priming. Normal installation is flooded suction, that is, with the pump below the source liquid level so that liquid flows by gravity to the pump. The pump may be located above the liquid source, if a check valve or foot valve is installed at the beginning of the suction line; and, the pump and entire suction line is filled with liquid; and, all air is bled from the suction system. The pump will lift water approximately 15 feet on the suction side when primed and will maintain its prime, as long as the foot or check valve functions as it should, without leaking. If the check valve leaks, the pump will not reprime, and must be manually primed in order to resume operation.

Published performance curves are based on pumping water, at 68° F. Referring to the performance curves for the pedestal mount pump, the maximum horsepower at a given speed is required at open discharge. As the head (pressure) against which the pump operates increases, the horsepower decreases.

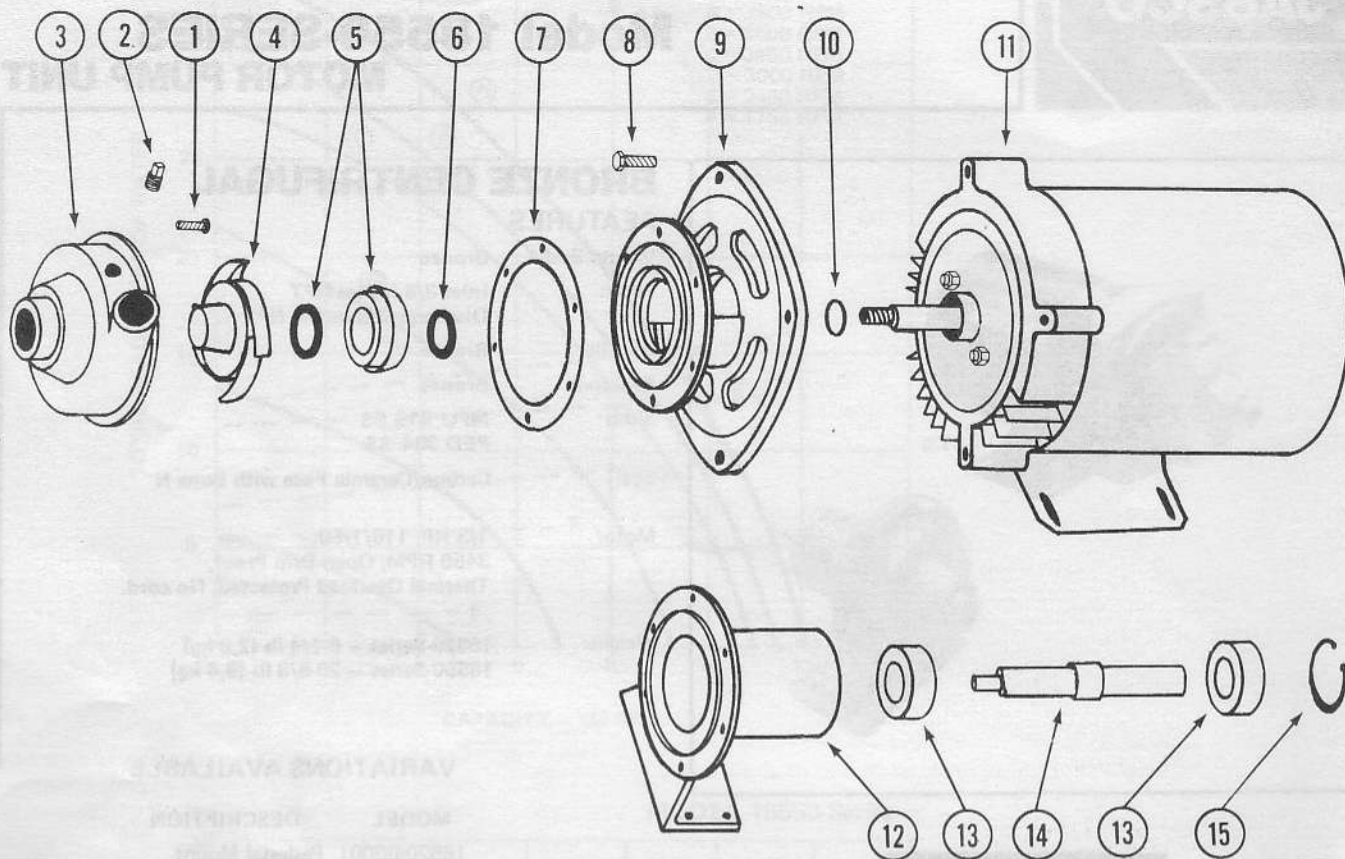
Liquids of higher specific gravity (weight) than water require more power to generate the same performance available with water. The horsepower requirement increases directly as the increase in specific gravity. Thus, for a pedestal mount pump we would multiply the horsepower shown for water by the specific gravity of the liquid to be pumped, to determine the horsepower required to do the job.

It is not possible to increase the horsepower of a close coupled motor pump unit, therefore, to pump a liquid of higher specific gravity with the centrifugal motor pumps, the capacity must be limited by restricting the discharge to stay within the horsepower available. In other words, the discharge must be throttled to the extent that the motor full load amperage rating, found on the motor label, is not exceeded.

In all installations, make sure the suction is not restricted. Do not use an elbow fitting in the pump intake port. Starved suction can result in cavitation which will damage the pump and cause performance deterioration.

Viscous or thick liquids are difficult to pump with a small centrifugal pump. Do not attempt to pump liquids with a viscosity exceeding 1500 SSU (SAE 30 WT OIL at 75°F) with a centrifugal pump. Consider, instead, the Jabsco flexible impeller pump or gear pump.

EXPLODED VIEW

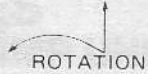


PARTS LIST

KEY	DESCRIPTION	PART NUMBER	QTY.
COMMON PARTS			
1	Screw	91094-0251	6
2	Plug	92650-0040	1
3	Volute Body	18554-0000	1
4	Impeller	18556-0000	1
5	Seal Assembly – BUNA – VITON*	96080-0375 96080-0378	1
6	Slinger	3286-0000	1
7	Gasket	18557-0000	1
MOTOR PUMP UNIT			
8	Bolt	91094-0070	4
9	Seal Housing	18555-0000	1
10	Shim	18578-0000	1
11	Motor 1/3 HP 115/1/60	93004-2608	1
PEDESTAL UNIT			
12	Pedestal	18525-0000	1
13	Bearing	92600-0460	2
14	Shaft	18579-0000	1
15	Retaining Ring	18719-0000	1

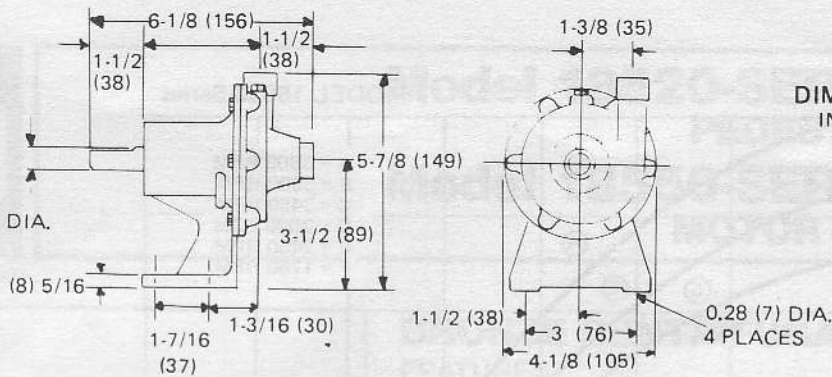
*Viton is a trademark of E. I. Du Pont de Nemours and Company.

DIMENSIONAL DRAWING
INCHES (MILLIMETRES)

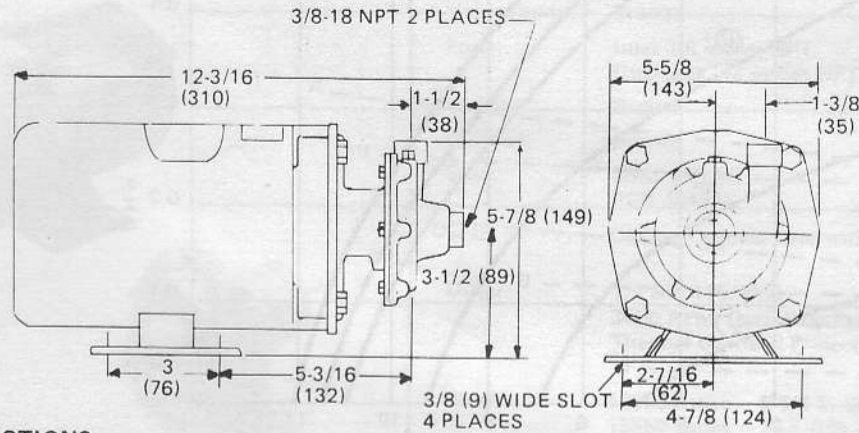


MODEL 18520-Series
(Ped)

(15,8) 0.624
(15,9) 0.625 DIA.



MODEL 18550-Series
(MPU)



ASSEMBLY INSTRUCTIONS

- | | |
|---|--|
| <p>Ped 1. Support inner race of ball bearing, lubricate shaft with light film of oil, press drive end of shaft thru bearing firmly against shoulder. (Care should be taken not to damage threads on shaft when pressing on threaded end.)</p> <p>Support inner race of second ball bearing and press threaded end of shaft thru bearing firmly against shoulder.</p> <p>Ped 2. Support flange side of bearing pedestal, insert threaded end of shaft/bearing assembly into pedestal. Seat inner bearing firmly against inner bearing shoulder. Install retaining ring into groove in pedestal against outer bearing.</p> <p>Ped MPU 3. Install slinger on shaft within 1/4 inch of bearing or motor.</p> <p>Ped MPU 4. Apply light coat of Permatex* or equivalent sealant on O D of seal. With large flange face of pedestal and multi-hole flange of seal housing up, install seal, carbon face outwards, using 1-5/8 inch O D x 1-3/8 inch I D tubing 1 inch long to press against flange of seal. Seat firmly into seal bore.</p> | <p>Ped MPU 5. Install ceramic seat into seat cup with polished surface outwards. Lubricate seat cup with water and press into impeller bore with polished ceramic surface facing out. Do not scratch or mar seat surface.</p> <p>MPU 6. Attach seal housing to motor with 4 bolts and washers.</p> <p>MPU Ped 7. Apply Loctite* to shaft threads and install impeller into shaft until it bottoms firmly against shaft shoulder. Motor pump unit normally requires one shim between impeller and shaft shoulder.</p> <p>Ped MPU 8. Install gasket against mounting flange and secure volute body to flange face with 6 screws.</p> <p>Ped MPU 9. Make sure priming plug is secure and sealed in volute body.</p> <p>Ped MPU 10. Rotate shaft to make sure there is no metal contact between body and impeller.</p> |
|---|--|

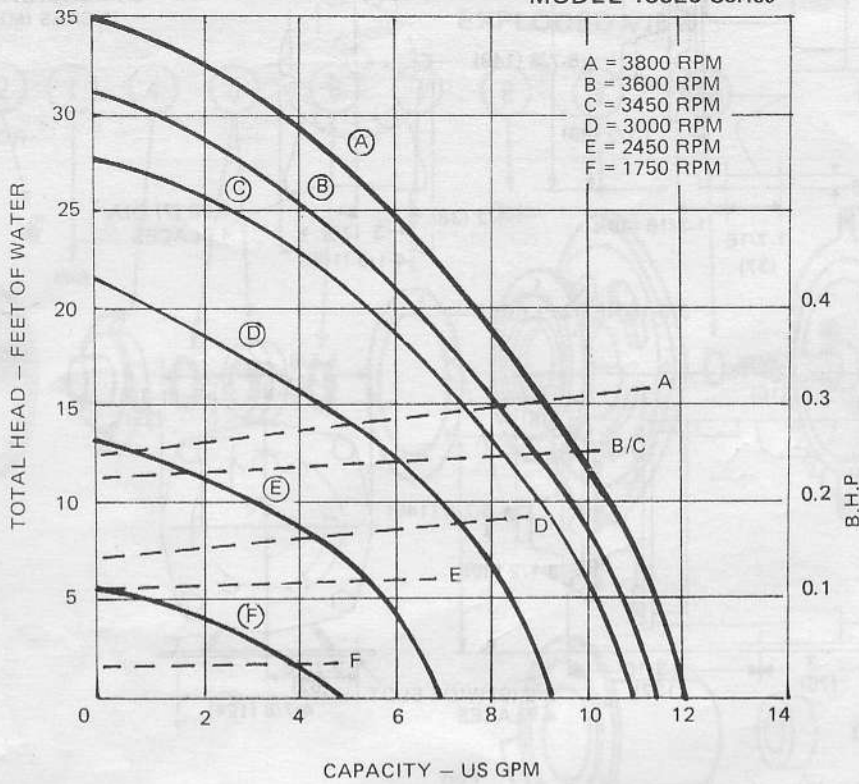
DISASSEMBLY

- | | |
|--|--|
| <p>MPU 1. Remove 8 body screws and body.</p> <p>MPU Ped 2. Remove body gasket.</p> <p>MPU Ped 3. Prevent shaft from turning. Pedestal Pump – Grasp shaft with vice grip pliers. MPU – Insert screwdriver in slot in end of motor shaft after removing end cap. Grasp nose of impeller with vice-grip pliers and rotate impeller counterclockwise to unthread from shaft.</p> <p>MPU Ped 4. Use a pointed tool to remove seal seat from rear of impeller.</p> | <p>Ped 5. Remove retaining ring from bearing housing.</p> <p>Ped 6. Place block of wood on shaft threaded end to protect threads, support pedestal and press shaft and bearing assembly out of pedestal.</p> <p>Ped 7. Support flange face of pedestal and using a 1-3/8 inch dia. dowel or plastic pipe, press seal from pedestal.</p> <p>Ped 8. Place two metal bars between bearings to support bearing while pressing shaft out of bearing. Use a wooden block to protect threads when removing shaft from inner bearing.</p> <p>MPU 9. Remove seal housing from motor. Use a 1-3/8 inch dia. dowel or plastic pipe to press seal from pedestal.</p> |
|--|--|

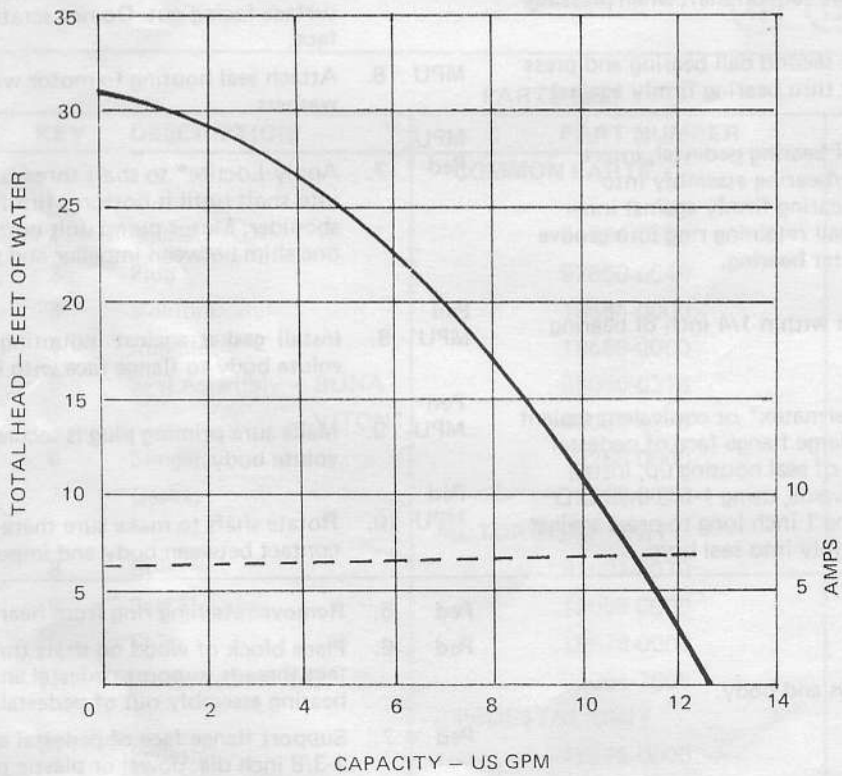
*Loctite PST is a trademark of Loctite Corporation.

*Permatex is a trademark of Permatex Company.

MODEL 18520-Series



MODEL 18550-Series



THE PRODUCTS DESCRIBED HEREIN ARE SUBJECT TO THE JABSCO ONE YEAR LIMITED WARRANTY, WHICH IS AVAILABLE FOR YOUR INSPECTION UPON REQUEST.