



# Model 18510-Series

## “CENTRI PUPPY”

Bronze Centrifugal DC Motor/Pump Unit

### FEATURES

- Body & Impeller:** Bronze
- Seal:** Mechanical Face Seal
- Port Size:** 3/4" NPT Internal
- Motor:** Permanent Magnet, Fully Enclosed, Ignition Protected
- Shaft:** Stainless Steel
- Weight:** 5 lb (2,3 kg) approx.

Motor meets USCG Electrical Standards (Title 33, Chapter I, Part 183; Subpart I) for IGNITION PROTECTION on gasoline powered vessels.



Model: 18510-Series



Do not pump solvents, thinners or gasoline as explosion may result causing personal injury or death.



Do not operate with rivets removed from motor case. Explosion resulting in personal injury, death or property damage may occur. Case openings must be sealed to avoid explosion and maintain ignition protected rating.

### VARIATIONS AVAILABLE

MODEL	DESCRIPTION
18510-0020	12 Vdc
18510-0021	24 Vdc

### PERFORMANCE (Nominal 12 Vdc System)

AMPS	FT. OF WATER	GPM
8	2	20
6.7	6	14.5
5.4	10	7.5
4.5	12.5	Shutoff

### APPLICATION

Suited for many general pumping applications where a flooded intake condition exists. This pump is NOT SELF-PRIMING. Typical uses include livewell filling and circulation, diesel fuel transfer (NOT GASOLINE), and other applications not requiring a self-priming pump.

### INSTALLATION

The pump must be mounted in a dry location – the motor is not waterproof and must not be submerged. The unit can be mounted in any desired position. It is best to mount so that water dripping from loose port connection will not wet the motor. The pump head may be mounted at 90 degree increments on the motor to allow mounting as needed. The pump may be mounted vertically on a thru-hull and seacock for applications requiring overboard water to be pumped aboard. A seacock must be used between the hull inlet fitting and pump on below-waterline installations.

## ELECTRICAL CONNECTIONS



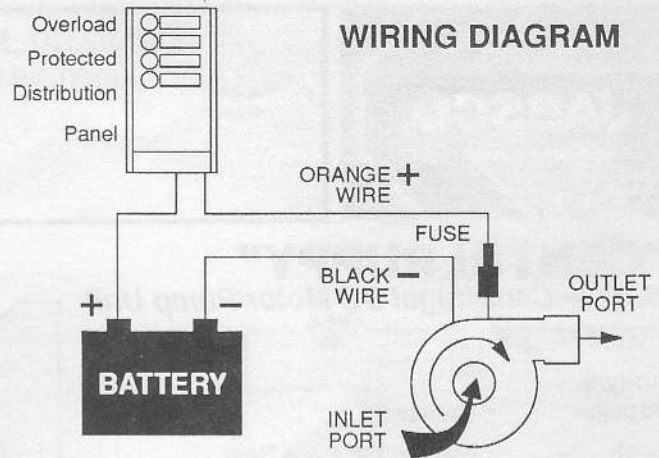
If pump is operated in an area containing flammable vapors, wire leads must be joined by insulated mechanical locking connectors. Loose or inadequate wire connections can spark resulting in an explosion. Property damage, injury or death may occur.

Connect black wire to negative (-) terminal of battery. The orange wire with the fuse holder should run to an overload protected switch or circuit breaker, with a wire from switch or breaker to positive (+) terminal of battery. Electrical circuit must be independent of all other accessories. To prolong motor life, install pump so normal motor rotation is clockwise. Use proper wire size as determined by wire table elsewhere on this sheet. The proper fuse has been included in the fuse holder. Should this fuse blow, replace with the same size fuse after determining reason for blown fuse.

**NOTICE:** No warranty consideration will be given to pumps that are returned without the properly sized fuse and fuse holder supplied with the pump.

## PLUMBING CONNECTIONS

The intake and outlet ports have internal 3/4" pipe threads. Brass or plastic pipe fittings may be used to suit the installation. Plastic fittings that may be subject to cracking due to vibration should not be used below the waterline. TFE pipe joint tape or compound should be used if brass fittings are installed in pump. Hose may be used with common pipe adaptors installed in the pump ports.



## MINIMUM WIRE SIZES

CONNECTION LENGTH BETWEEN BATTERY AND MOTOR	12V	24V
1-10 ft. (3m)	#12	#16
11-20 ft. (6m)	#10	#16
21-30 ft. (9m)	# 8	#12

## AMP DRAW AND FUSE SIZES

	12V	24V
Amp. Draw (Approx.)	8	4
Fuse Size	10	5

## OPERATION

The pump may be run dry for short periods of time. However, running without liquid allows heat to build up between seal faces, thus shortening seal life. The pump can run against a closed outlet such as encountered when using a garden hose type shut-off nozzle. Small particles of trash and debris will pass through the pump, though an intake strainer should be fitted if excessive problems are encountered with pump clogging.

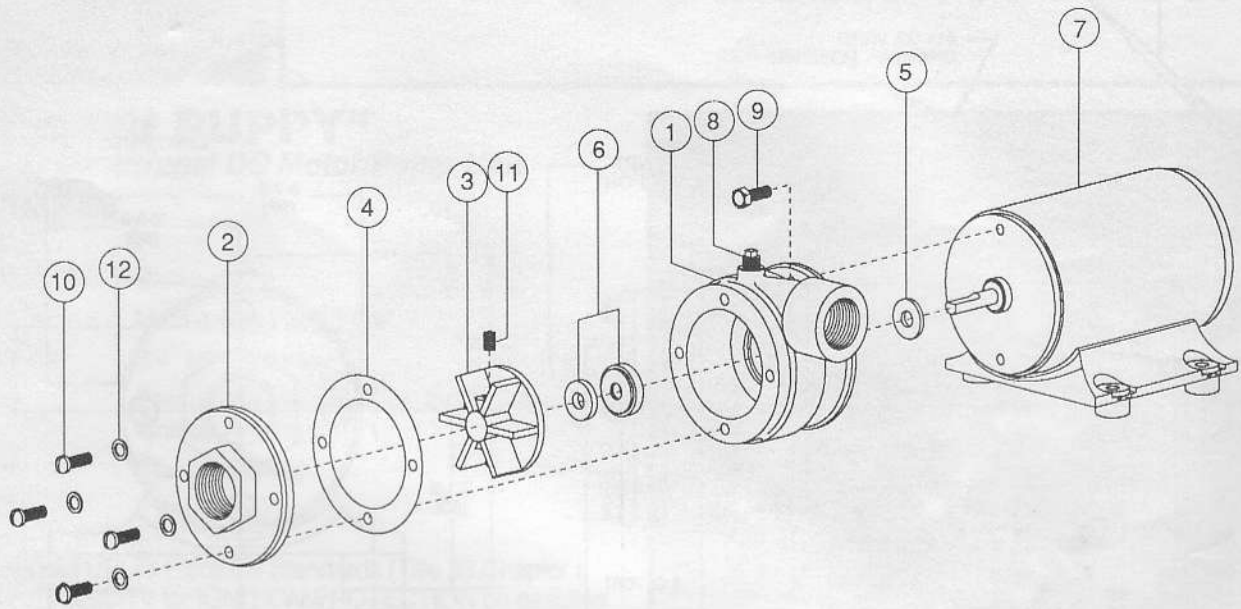
**CAUTION:** Motor runs hot; about 180° is a normal temperature. Prolonged contact during operation may cause a burn.

## MAINTENANCE

Check all electrical connections periodically, particularly in salt water areas. Corrosion can cause loss of performance or non-operation in extreme cases. The motor should be protected with a corrosion inhibiting spray and any rust should be removed and the motor repainted.



## EXPLODED VIEW



## PARTS LIST

KEY	DESCRIPTION	PART NUMBER	QTY. REQ'D
1	Pump Body	18527-0000	1
2	End Cover	18514-0000	1
3	Impeller	18526-0000	1
4	Gasket	18516-0000	1
5	Slinger	6342-0000	1
6	Seal, Mechanical	96080-0552	1
7*	Motor 12 Vdc	18517-0000	1
	Motor 24 Vdc	18517-0001	
8	Plug	92650-0040	1
9	Body Mounting Screw	98019-0020	2
10	End Cover Screw	91003-0230	4
11	Impeller Set Screw	91083-0040	1
12	Lock Washer #10 S.S.	91602-0020	4

\* Includes motor base

## SERVICE INSTRUCTIONS

**NOTE:** The seal consists of two parts. The half with the metal case and carbon face go into the pump body. The other half of the seal is a ceramic disc with a rubber boot and is installed into the back face of the impeller.

### Disassembly

1. Remove end cover screws, end cover and gasket.
2. Remove pipe plug in top of body and rotate impeller so the set screw aligns with the plug hole. Insert a 1/8" allen wrench through the plug hole and loosen impeller set screw. Remove the impeller.

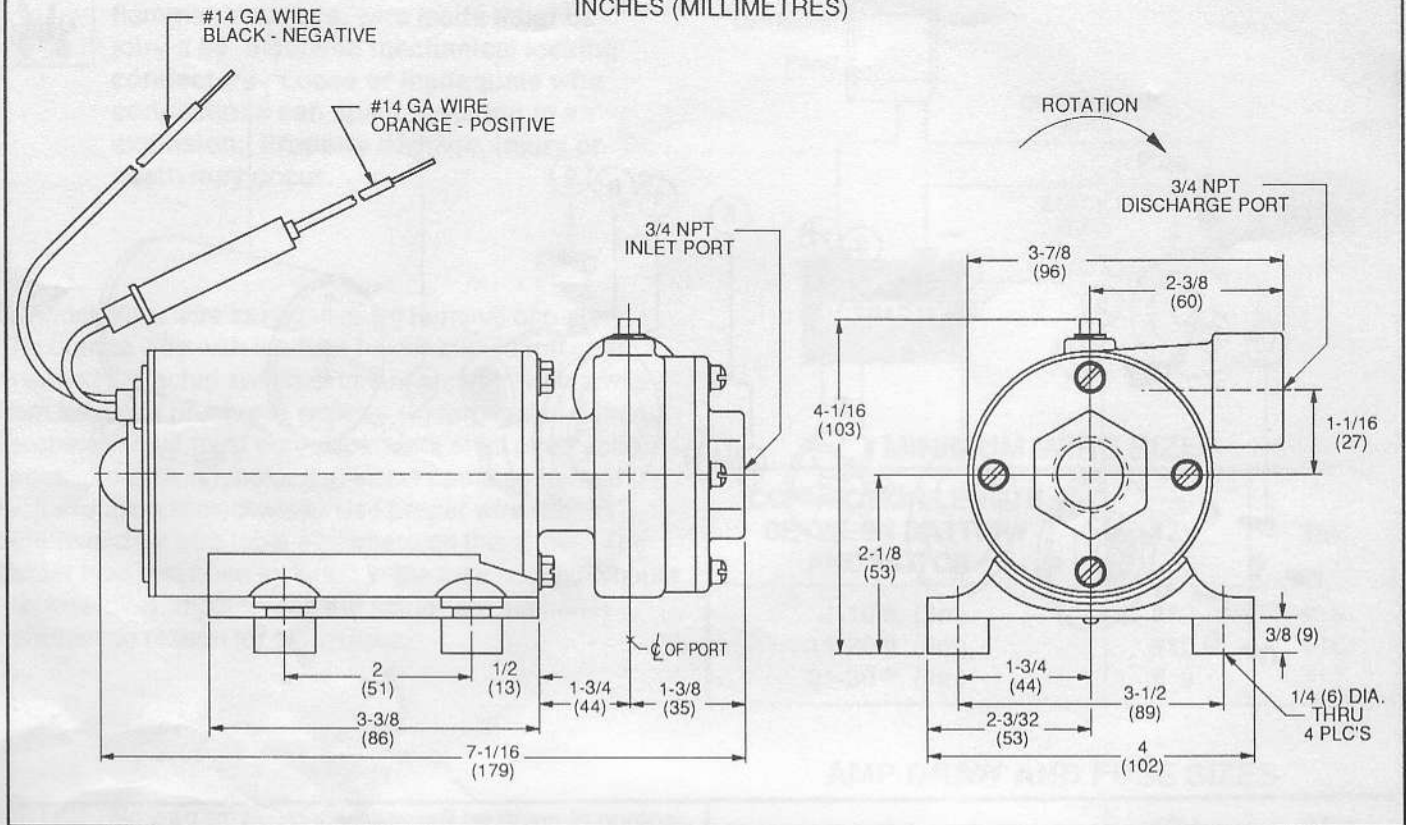
3. Remove screws securing the body to the motor and remove the body.
4. Remove the old ceramic half of the seal with a screwdriver or hooked wire.
5. From the motor side of the body press the metal case seal half out of the body into the impeller bore. Clean the seal bore.

### Assembly

1. For the best results, apply a thin coat of pipe thread sealant to the seal bore in the body before installing new seal. Install the new seal from inside the body using a hollow tube 1 1/4" OD by 1 1/8" ID. With the tube against the flange of the seal press or tap gently on the tube until the flange of the seal is seated all the way around on the ledge in the body. Lubricate the rubber boot with a small amount of soapy water. To protect the seal surface put a clean piece of paper on the ceramic face and push the seal by hand into the impeller bore until it is completely seated. Be sure that both the carbon and the ceramic faces are clean of grease and fingerprints.
2. Install the body to the motor. Position the motor with the pump body up and the back of the motor down to correctly position the shaft end play.
3. Slide the impeller on the shaft with the set screw facing the plug hole in the body. Press the impeller down compressing a spring in the seal until the impeller bottoms out against the body. Tighten the set screw in the impeller before releasing pressure against the impeller. This sets the proper seal face clearance.
4. Install the pipe plug into the body.
5. Ensure the body and end cover surfaces are clean where they contact the gasket. Align the end cover and new gasket with the body and secure it with the end cover screws.

## DIMENSIONAL DRAWING

INCHES (MILLIMETRES)



### One Year Limited Warranty

**A. LIMITED WARRANTY:** ITT warrants that at the time of shipment, the products manufactured by ITT and sold hereunder shall be in conformity with applicable written specifications and descriptions referred to or set forth herein, free from defects in material and workmanship, merchantable, and suitable for a particular purpose, provided such is implied by State law under the circumstances of this sale.

**B. WARRANTY ADJUSTMENT:**

1. ITT agrees to repair or furnish a replacement for, but not to remove or install, any product or component thereof which, within one (1) year from date of purchase, shall upon test and examination by ITT prove defective within the above warranty. Receipt verifying purchase date is required to obtain adjustment.
2. Buyer shall notify ITT of any defect within this warranty no later than ninety (90) days after the defect is discovered.
3. No product will be accepted for return or replacement without the prior written authorization of ITT. Upon such authorization, and in accordance with instructions from ITT, the product will be returned to ITT, shipping charges prepaid by Buyer. Products returned to ITT will be addressed as follows:

ITT JABSCO  
1485 Dale Way  
Costa Mesa, California 92626-3998

Or to such alternate locations as may be designated on the product, its container, or this sheet.

Repair or replacement made under this warranty will be shipped prepaid to Buyer.

**C. EXCLUSIONS FROM WARRANTY AND LIMITATION OF LIABILITY:**

1. The foregoing warranty is limited solely as set forth herein and applies only for the period designated above.

2. ITT SHALL NOT BE LIABLE FOR ANY LOSS, DAMAGE, SPECIAL OR CONSEQUENTIAL DAMAGE OF ANY KIND, WHETHER BASED UPON WARRANTY, CONTRACT, NEGLIGENCE, OR STRICT LIABILITY ARISING IN CONNECTION WITH THE SALE, USE, OR REPAIR OF THE PRODUCT.
3. THE MAXIMUM LIABILITY OF ITT IN CONNECTION WITH THIS WARRANTY SHALL NOT IN ANY CASE EXCEED THE CONTRACT PRICE FOR THE PRODUCT CLAIMED TO BE DEFECTIVE OR UNSUITABLE.
4. This warranty does not extend to any product manufactured by ITT which has been subjected to misuse, neglect, accident, improper installation, or use in violation of instructions furnished by ITT.
5. This warranty does not extend to or apply to any unit which has been repaired or altered at any place other than ITT's factory, or by persons not expressly approved by ITT, nor to any unit the serial number, model number, or identification of which has been removed, defaced or changed.
6. Components manufactured by any supplier other than ITT shall bear only that warranty made by the manufacturer of that product.
7. This warranty applies to products defined as "consumer products" by the Consumer Product Warranties Act as from time to time amended.

**D. CONSUMER RIGHTS:** This warranty gives you specific legal rights, and you may have other rights which vary from state to state. Some states do not allow exclusion or limitation of damages.

**STANDARD WARRANTY:** If the products manufactured and sold hereunder are not Consumer Products, the warranty extended to Buyer shall be as set forth in subparagraphs (A), (B), and (C), EXCEPT THAT ALL EXPRESS OR IMPLIED WARRANTIES OR MERCHANTABILITY OR SUITABILITY FOR ANY PARTICULAR PURPOSE ARE EXCLUDED.

**ITT Jabsco**

ITT Fluid Technology Corporation  
1485 Dale Way, P.O. Box 2158, Costa Mesa, CA 92628-2158  
Tel: (714) 545-8251; Fax: (714) 957-0609  
Bingley Road, Hoddesdon, Hertfordshire EN11 0BU, England  
Tel: 0992-467191; Tlx: 263251 G; Fax: 0992-467132