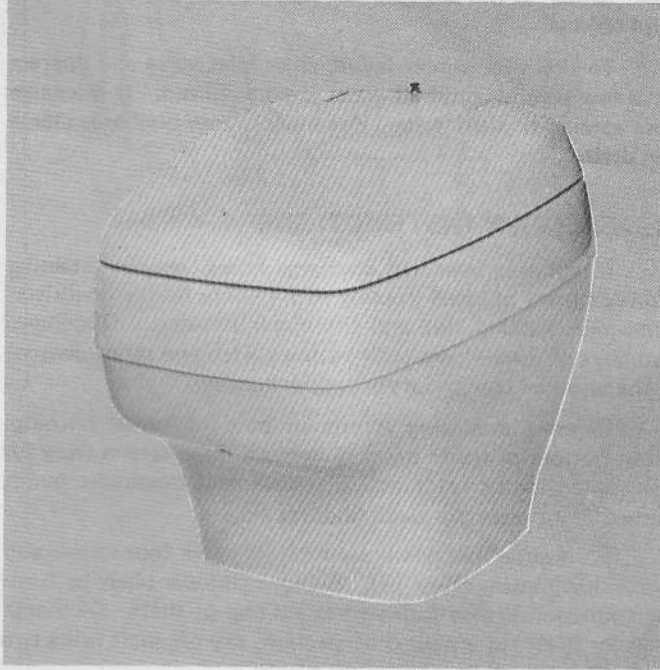


PAR™

ELECTRIC MARINE TOILET
PUSH BUTTON OPERATION

MODEL 18100-Series

PRODUCT DATA



FEATURES

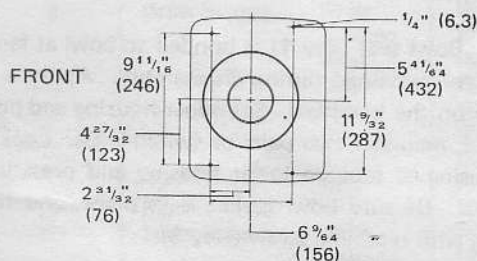
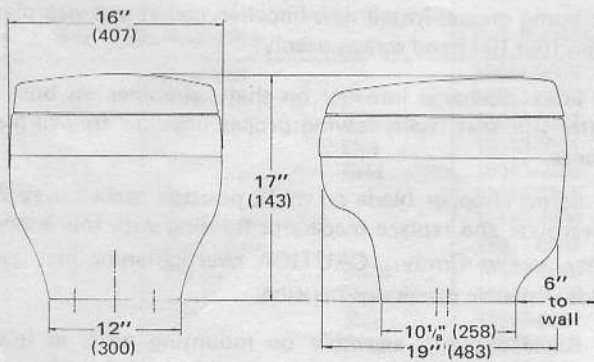
- Simple push button operation.
- Automatically timed flush cycle.
- Less than one quart of water required per flush.
- Sparkling contemporary styling, available in four colors.
- Self-priming flexible impeller flush pump.
- High capacity macerator and bowl scavenger pump.
- Safety interlock switch, operates only with lid closed.
- All corrosion resistant materials for marine use.

SPECIFICATIONS

Dimensions: 17" high, 16" wide, 19" front to rear
Connections: 3/4" inlet, 1 1/2" discharge
Voltages: 12, 24, or 32 Volt DC versions
Weight: 25 lbs.

MODEL 18100-SERIES
ELECTRIC MARINE TOILET

DIMENSIONAL DRAWING



STANDARD MODELS

Model No.	Color	Voltage*	Amps
18100-0000	White	12	18
18100-0001	White	24	9
18100-0002	White	32	7.5
18100-0020	Avocado	12	18
18100-0021	Avocado	24	9
18100-0022	Avocado	32	7.5
18100-0040	Blue	12	18
18100-0041	Blue	24	9
18100-0042	Blue	32	7.5
18100-0060	Gold	12	18
18100-0061	Gold	24	9
18100-0062	Gold	32	7.5

JABSCO PRODUCTS **ITT**

INSTALLATION INSTRUCTIONS

The PAR electric toilet may be installed above or below the waterline. Flush pump is self priming up to 6 feet, discharge macerator pump can operate up to 4 foot head.

Inlet and outlet seacocks should be easily accessible and have positive shut off valves.

To install toilet, upper housing must be removed to gain access to mounting screw holes. Remove retaining screw at front of housing with a Phillips screwdriver (see parts view), and press rear locking tabs while pulling upper housing out to clear locking tabs. Upper housing may then be removed.

Fasten lower housing to deck with four screws through mounting holes. Replace upper housing, lock it over locking tabs, and replace retaining screw.

PLUMBING CONNECTIONS

Connect 3/4" inlet hose to pump inlet port. Install check valve supplied (No. 18097-0000) in inlet hose at any convenient point. Preferred location is near seacock. This will prevent the bowl from draining during non-use and maintain a small amount of water in the bowl for more efficient flushing. Make sure all inlet connections are airtight and free of sharp bends or restrictions.

Connect 1 1/2" hose from discharge elbow to holding tank or other waste discharge system. Make hose routing direct as possible and avoid sharp bends or restrictions.

For installations below waterline, use vented loop in inlet hose about 8 inches above waterline at all angles of heel or trim. Vented loop should also be used for discharge if connected to thru-hull fitting.

For installations above waterline, make a loop in the discharge line about 8 inches above mounting surface to retain water in bowl.

WIRING

Wire with heavy duty stranded copper wire throughout. Connect red wire to positive; black wire to negative for proper rotation. Failure to connect wires as described will damage unit and void warranty. See wire size table below for proper size.

MINIMUM WIRE SIZES

Connection Length Between Battery and Motor	12 Volt	24 Volt	32 Volt
Less than 10 feet	No. 12	No. 14	No. 14
11 to 20 feet	No. 10	No. 12	No. 14

An in-line fuse capsule is supplied in the positive (red) wire connection to the motor. Correct replacement fuse size is stated on the label located on the rear of the upper housing.

OPERATING INSTRUCTIONS

Make sure inlet and outlet seacocks or valves are open. Close lid and push button to flush. The lid must be completely closed to operate - it is fitted with an interlock safety switch. If a vented loop is used on the inlet, hold fingertip over inlet vent for initial priming.

The PAR electric marine toilet will provide years of trouble-free service if properly used. It will handle waste and toilet tissue. It will NOT handle rags, sanitary napkins or hard solid objects.

To drain for winter layup, close inlet valve and operate for a few seconds until all water is pumped out. If discharge hose retains trapped water, disconnect from discharge elbow and drain.

DISASSEMBLY INSTRUCTIONS

Disconnect inlet and discharge hoses, remove retaining screw at front of lower housing with Phillips head screwdriver, press rear locking slot and lift upper housing. Disconnect two pairs of wires (from push button switch and safety switch) at the terminal block. Lift off upper housing.

Remove mounting screws in base of lower housing. From bottom of lower housing, remove three screws (Key 3). Disconnect motor leads and lift bowl and macerator pump assembly out from the lower housing.

To disassemble pump assembly, remove four screws and macerator housing (Key 15). Remove chopper blade by turning counterclockwise facing threaded end of shaft. Discharge impeller (Key 16) is a press fit on shaft, pry off shaft using two screwdrivers to slide impeller off evenly.

Remove four screws, wearplate, impeller and pump body. Replace all worn or damaged parts.

REASSEMBLY INSTRUCTIONS

Install pump assembly on motor; lube impeller bore with water pump grease; install new impeller, gasket and wearplate. Tighten four flat hand screws evenly.

Press discharge impeller on shaft; shoulder on bore of impeller will seat itself, leaving proper impeller to wearplate clearance.

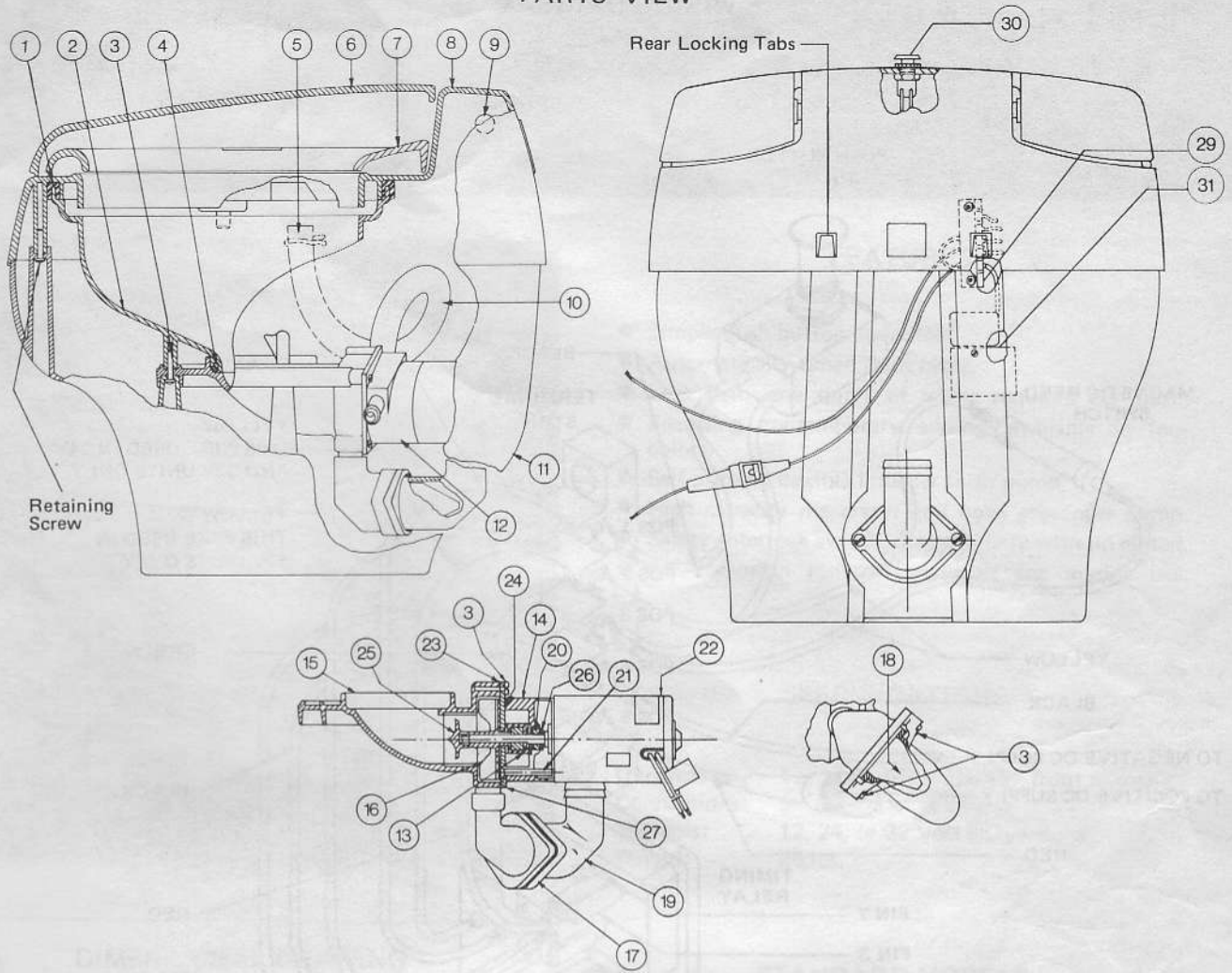
Screw chopper blade on shaft, position gasket (Key 23) on wearplate and replace macerator housing with four screws. Tighten screws firmly. CAUTION overtightening may strip threads in plastic macerator housing.

Replace pump assembly on mounting posts in lower housing, position seal ring in the groove provided in the neck of the bowl and replace bowl in lower housing. Hold bowl firmly in place and fasten entire assembly with three screws (Key 3).

NOTE: Bowl seat (key 1) is bonded to bowl at factory and should have remained during disassembly. Apply a thin film of grease on the bowl seal. Set upper housing and lid assembly in place, reconnect two pairs of switch leads. Lock rear of upper housing in tabs on lower housing and press upper housing down. Be sure bowl gasket is in place, and fasten upper housing with retaining screw (Key 3).

See wiring diagram for proper internal wire connections.

PARTS VIEW

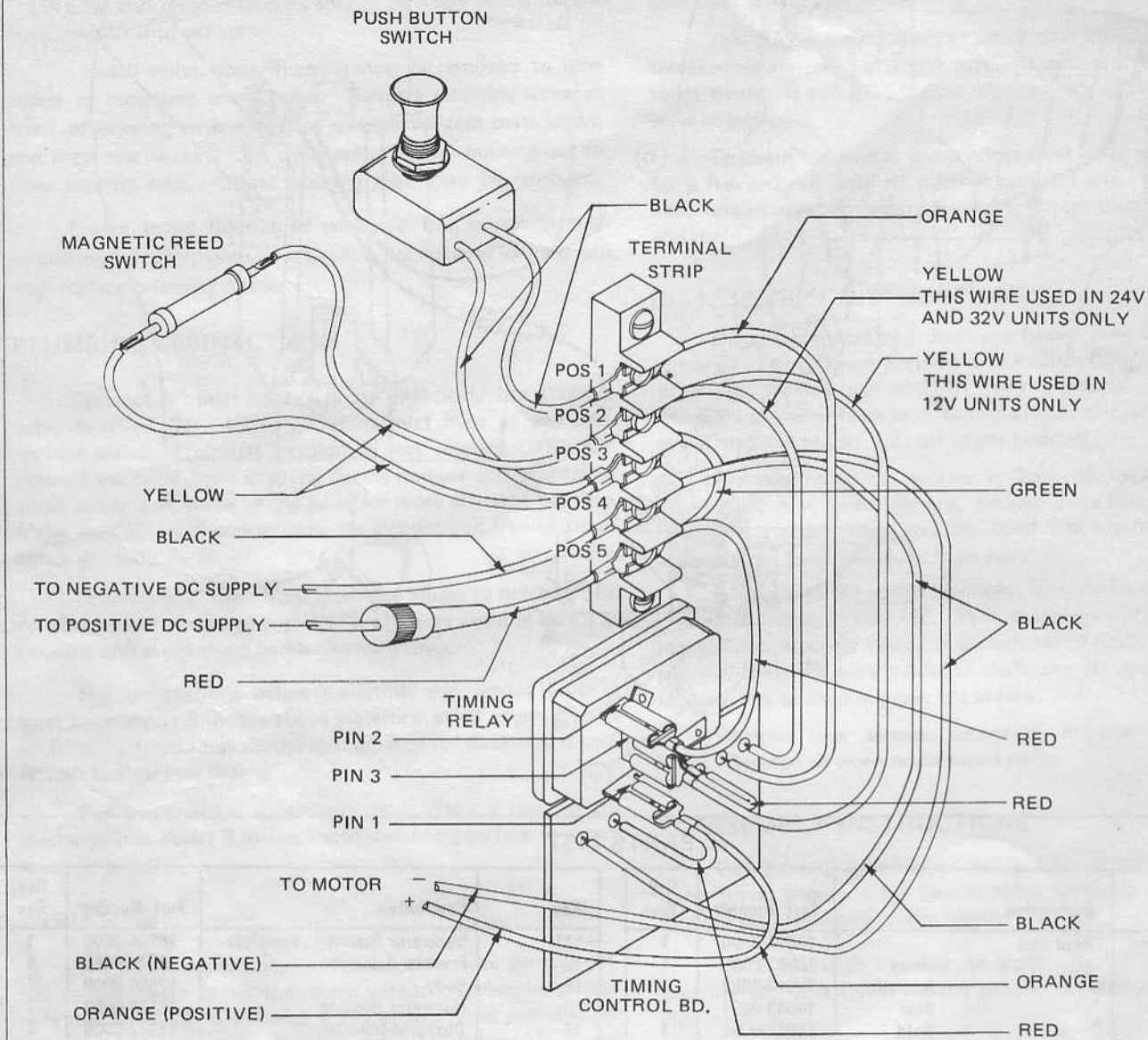


PARTS LIST

Key	Description	Part Number	Qty. Req.	Key	Description	Part Number	Qty. Req.	
1	Bowl Seal	18044-0000	1	12*	Macerator Assembly, complete	18104-0000	1	
2	Bowl	White	18043-0000	1	13	Impeller Assembly	6303-0003	1
		Avocado	18043-0002	1	14	Body	12554-0000	1
		Blue	18043-0004	1	15	Macerator Housing	18115-0000	1
		Gold	18043-0006	1	16	Discharge Impeller	18112-0000	1
3	Screw	91045-0361	10	17	Flange	59127-7011	1	
4	Bowl to pump seal	18110-0000	1	18	Duck Bill Valve	18267-0000	1	
5	Hose Clamp	18037-0000	2	19	Elbow	59127-7012	1	
6	Lid	White	18047-0000	1	20	Seal	92700-0910	1
		Avocado	18047-0002	1	21	Screw	91010-0130	2
		Blue	18047-0004	1	22	Motor - 12 VDC	18118-0000	1
		Gold	18047-0006	1		Motor - 24 VDC	18120-0000	1
7	Seat	White	18046-0000	1		Motor - 32 VDC	18121-0000	1
		Avocado	18046-0002	1	23	Gasket	37019-0000	1
		Blue	18046-0004	1	24	Gasket	37028-0000	1
		Gold	18046-0006	1	25	Chopper Assembly	18111-0000	1
8	Upper Housing . . .	White	18109-0000	1	26	Slinger	6342-0000	1
		Avocado	18109-0002	1	27	Wearplate	37018-0000	1
		Blue	18109-0004	1	28	Screw - Wearplate to pump, not shown	91009-0040	2
		Gold	18109-0006	1	29	Terminal Block	98043-0171	1
9	Pivot Pin	White	18034-0000	2	30	Push Button, Switch	96070-0588	1
		Avocado	18034-0002	2	31	Timer/Circuit Relay Assembly	18299-0000	1
		Blue	18034-0004	2	(not shown)	Reed Switch	96070-0617	1
		Gold	18034-0006	2	(not shown)	Intake Check Valve Assembly	18097-0000	1
10	Hose	18075-0000	1	(not shown)	Fuse Assembly	35578-0060	1	
11	Lower Housing . . .	White	18114-0000	1				
		Avocado	18114-0002	1				
		Blue	18114-0004	1				
		Gold	18114-0006	1				

*Macerator Assembly includes Key 13 thru 28

WIRING DIAGRAM



JABSCO PRODUCTS **ITT**

Marine and Recreation Components Division
International Telephone and Telegraph Corporation
1485 Dale Way, Costa Mesa, California 92626

Telephone: (714) 545-8251