

FEATURES

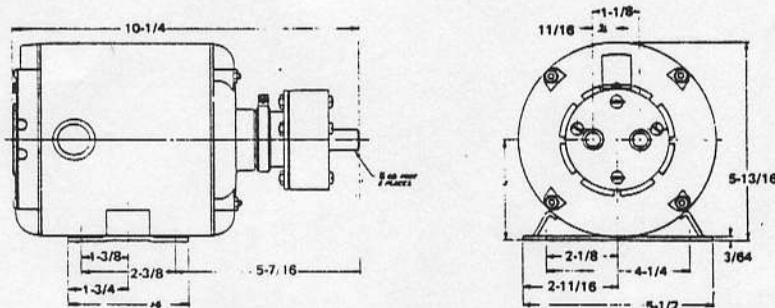
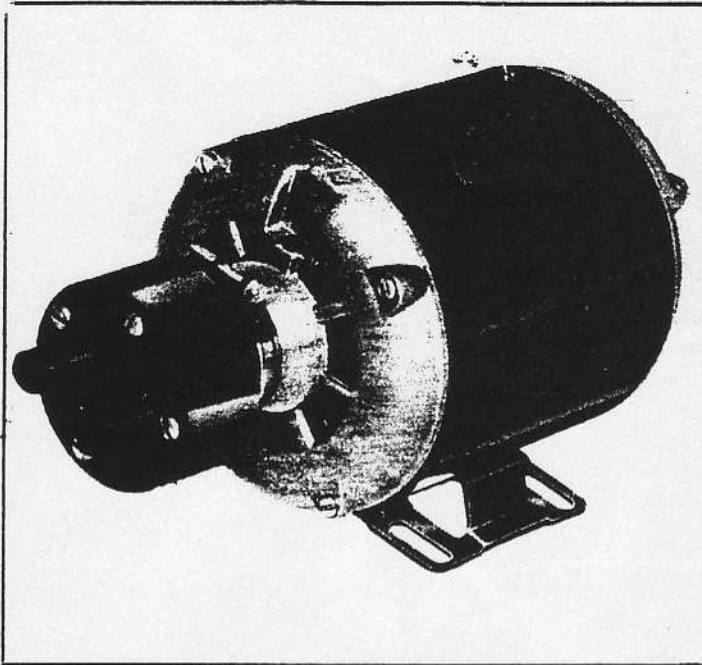
- Self-Priming
- Silent Operation
- Corrosion Resistant Materials
- Simple Low Cost Service
- Flow 4 GPM at 5 Feet Head

PUMP

Phenolic plastic with stainless steel wearplates molded in, carbon ceramic face seal, neoprene impeller with bronze motor shaft sleeve, port connections for 5/8 in. slip-on hose.

MOTOR

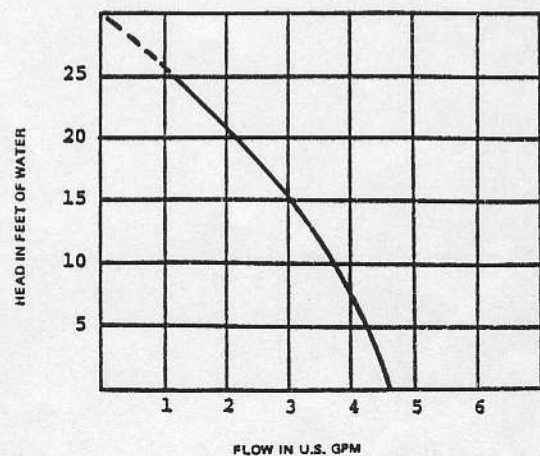
115 volt, A.C., single phase, 60 cycle, 1/4 HP, continuous duty, thermal overload protection.



PARTS LIST

| Part Number | Description | Qty |
|-------------|--------------------|-----|
| 91014-0040 | Screw | 4 |
| 91085-0030 | Nut | 4 |
| 17634-0000 | Body | 1 |
| 17638-0000 | Gasket | 1 |
| 17486-0001 | Impeller Assembly | 1 |
| 17635-0000 | Seal Housing | 1 |
| 98022-0550 | Clamp | 1 |
| 96080-0330 | Seal Assembly | 1 |
| 93004-1880 | Motor | 1 |
| 17600-0001 | Pump Head Assembly | 1 |

HEAD VS. FLOW

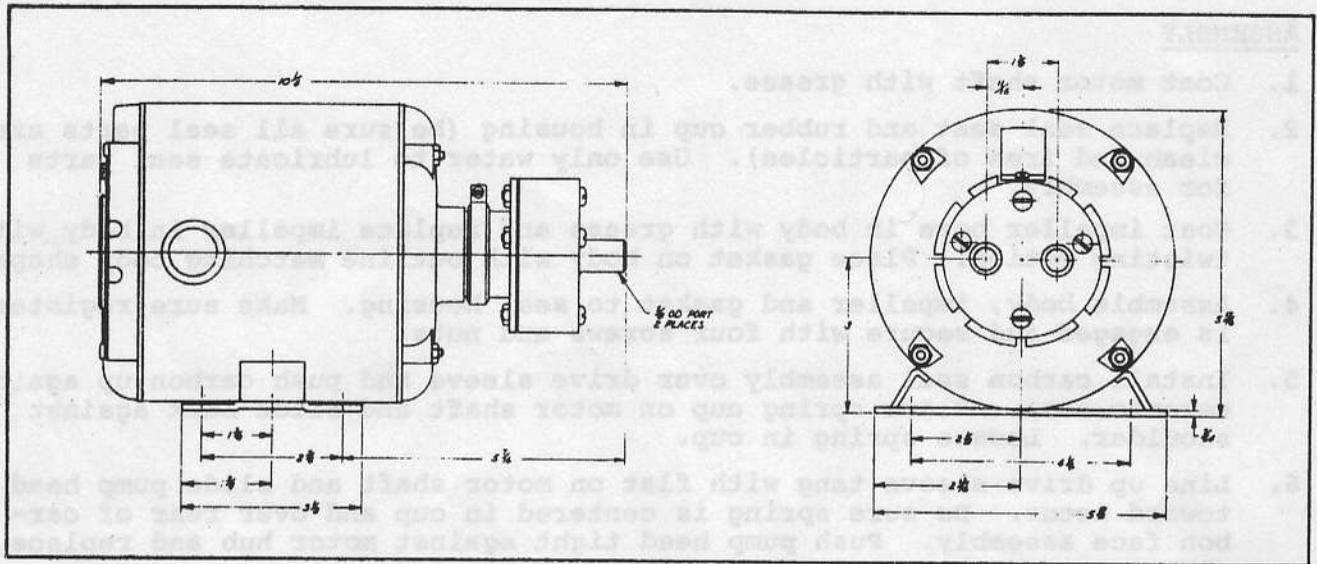


MODEL 17630-0001

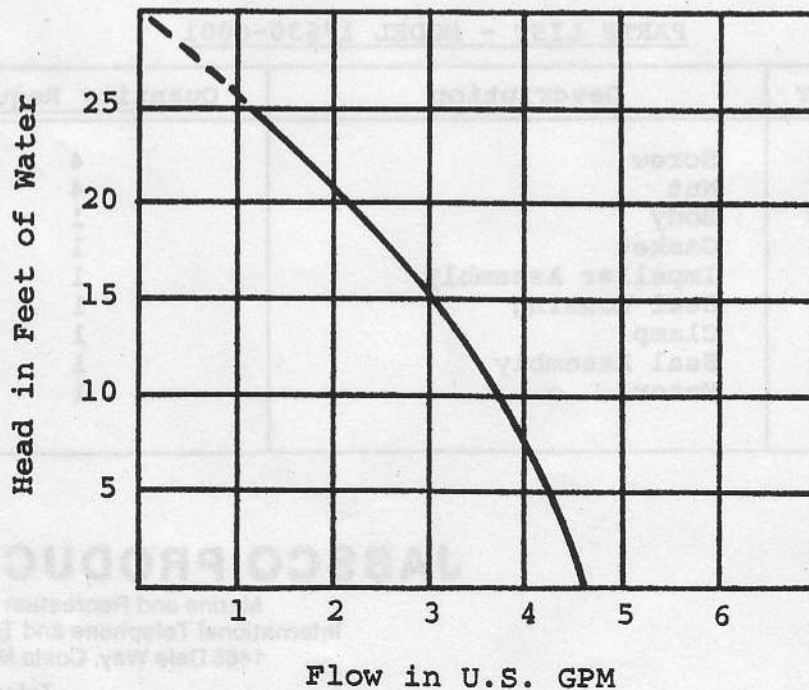
115 Volt A. C. Motor Pump Unit

- FEATURES:** Self priming, silent operation, corrosion resistant materials, simple low cost service, flow 4 GPM at 5 feet head.
- PUMP:** Phenolic plastic with stainless steel wearplates molded in, carbon ceramic face seal, neoprene impeller with bronze motor shaft sleeve, port connections for 5/8" slip-on hose.
- MOTOR:** 115 volt, A.C., single phase, 60 cycle, 1/4 HP, continuous duty, thermal overload protection.

DIMENSIONAL DRAWING



HEAD vs. FLOW



JABSCO PRODUCTS **ITT**

SERVICE INSTRUCTIONS:

DISASSEMBLY

1. Remove four body screws and nuts, pull body off seal housing and impeller.
2. Remove impeller and gasket.
3. Remove bearing housing clamp and slide seal housing assembly off motor shaft.
4. Replace all worn or damaged parts.

ASSEMBLY

1. Coat motor shaft with grease.
2. Replace seal seat and rubber cup in housing (be sure all seal parts are clean and free of particles). Use only water to lubricate seal parts for assembly.
3. Coat impeller bore in body with grease and replace impeller in body with twisting motion. Place gasket on body with outline matching body shape.
4. Assemble body, impeller and gasket to seal housing. Make sure register is engaged and secure with four screws and nuts.
5. Install carbon seal assembly over drive sleeve and push carbon up against ceramic seat. Place spring cup on motor shaft and slide back against shoulder. Locate spring in cup.
6. Line up drive sleeve tang with flat on motor shaft and slide pump head toward motor. Be sure spring is centered in cup and over rear of carbon face assembly. Push pump head tight against motor hub and replace clamp.

PARTS LIST - MODEL 17630-0001

| <u>Part Number</u> | <u>Description</u> | <u>Quantity Required</u> |
|--------------------|--------------------|--------------------------|
| 91014-0040 | Screw | 4 |
| 91085-0030 | Nut | 4 |
| 17634-0000 | Body | 1 |
| 17638-0000 | Gasket | 1 |
| 17486-0001 | Impeller Assembly | 1 |
| 17635-0000 | Seal Housing | 1 |
| 98022-0550 | Clamp | 1 |
| 96080-0330 | Seal Assembly | 1 |
| 93004-1880 | Motor | 1 |

JABSCO PRODUCTS **ITT**

Marine and Recreation Components Division
International Telephone and Telegraph Corporation
1485 Dale Way, Costa Mesa, California 92626

Telephone: (714) 545-8251