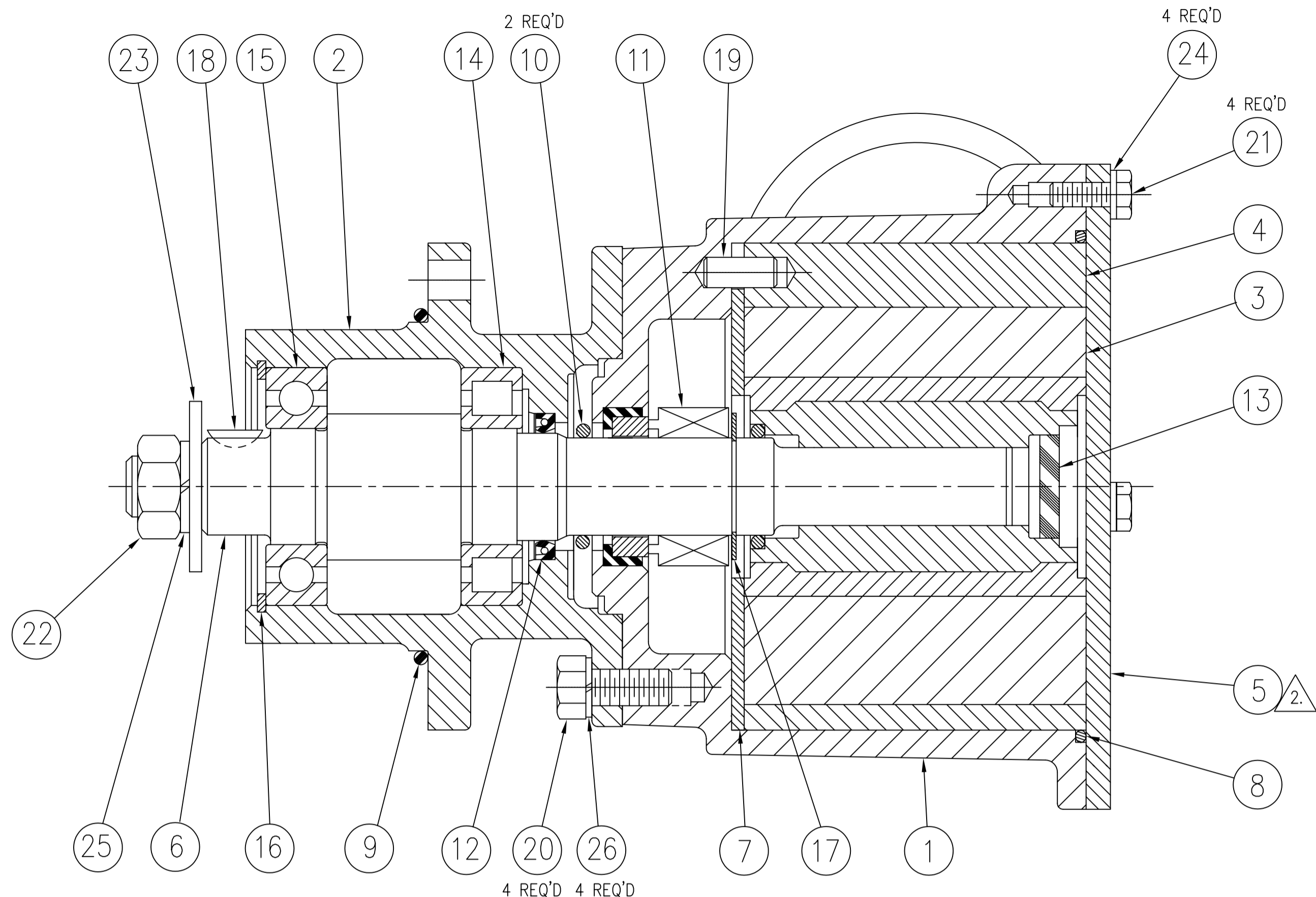
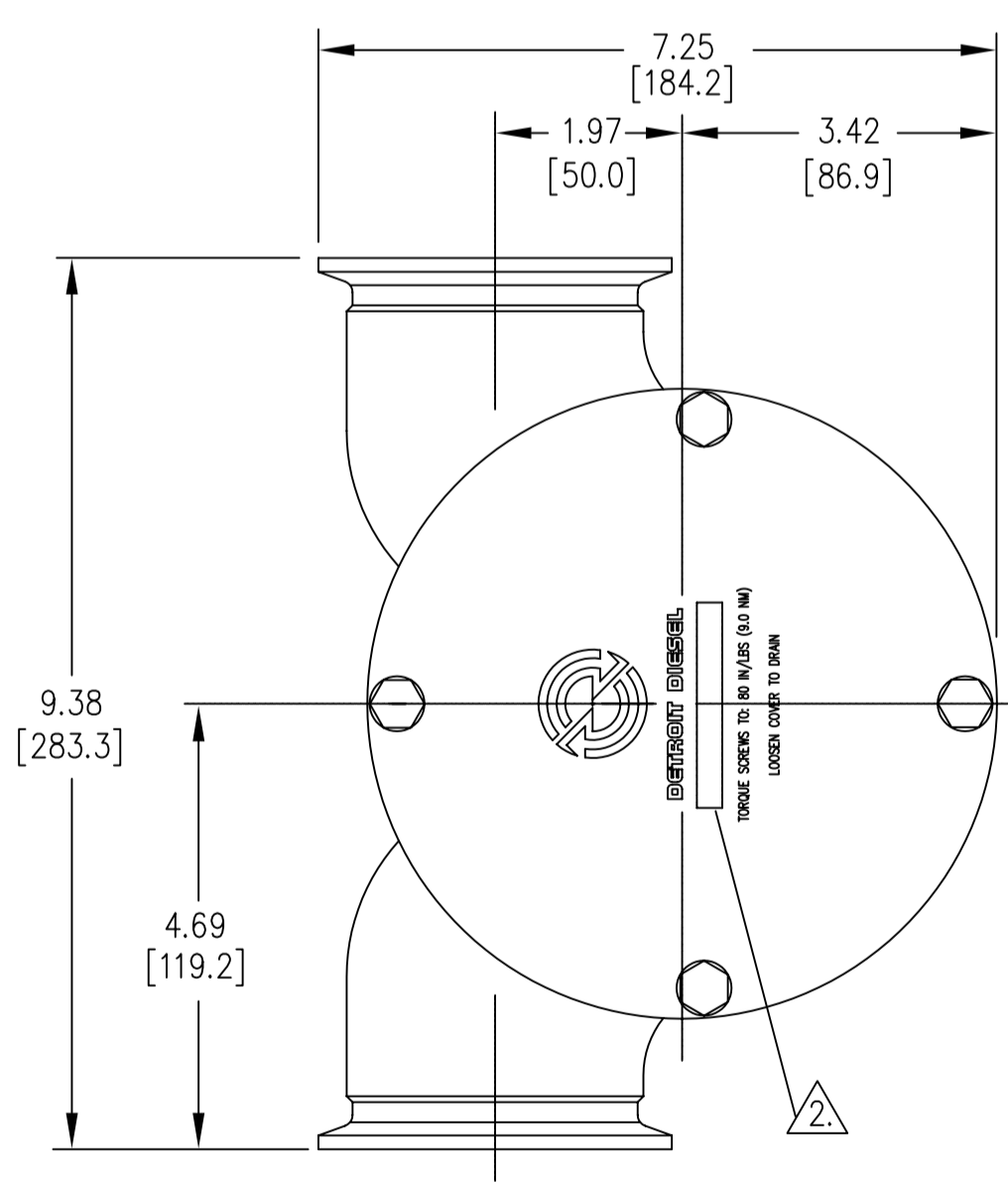
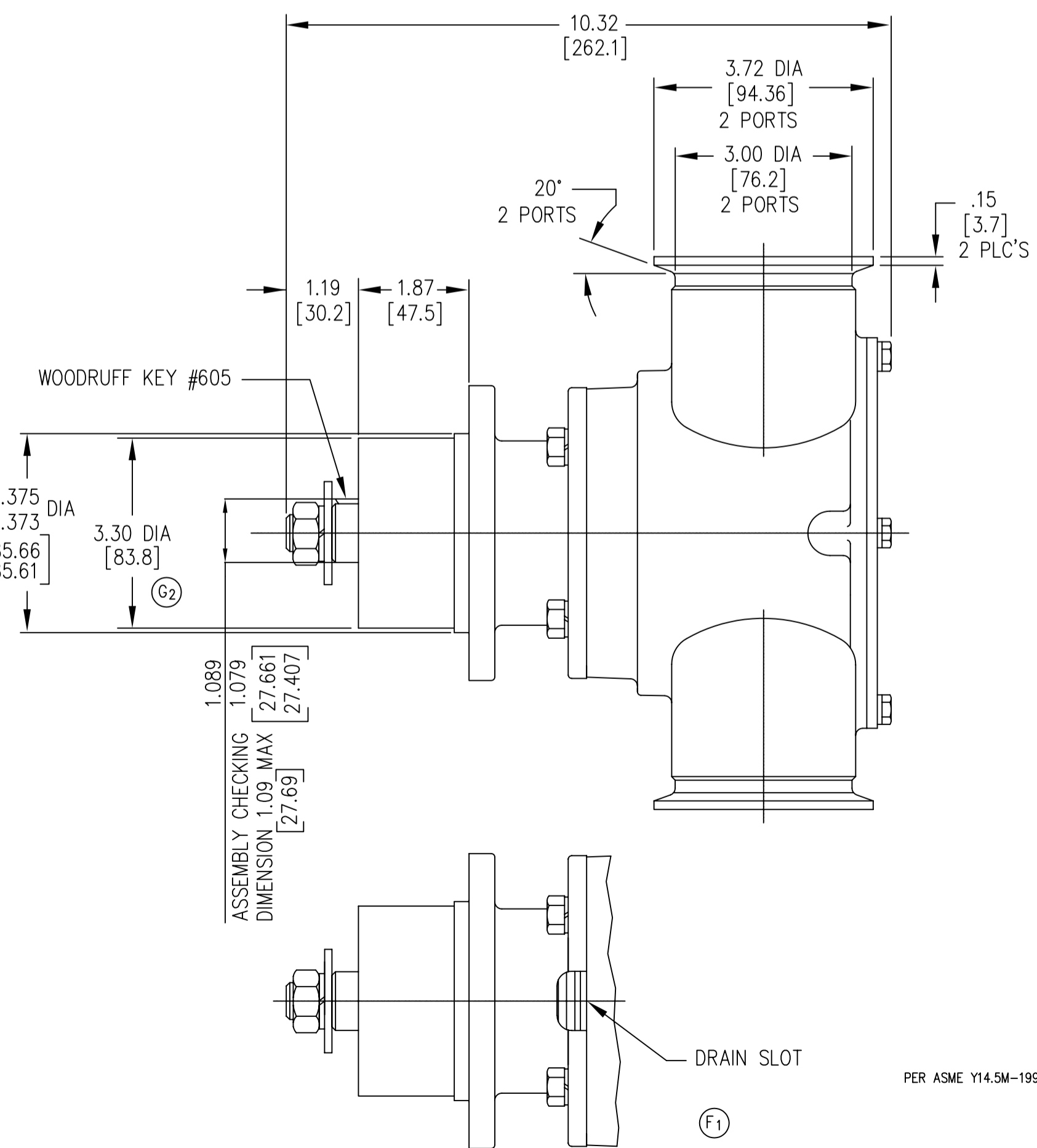
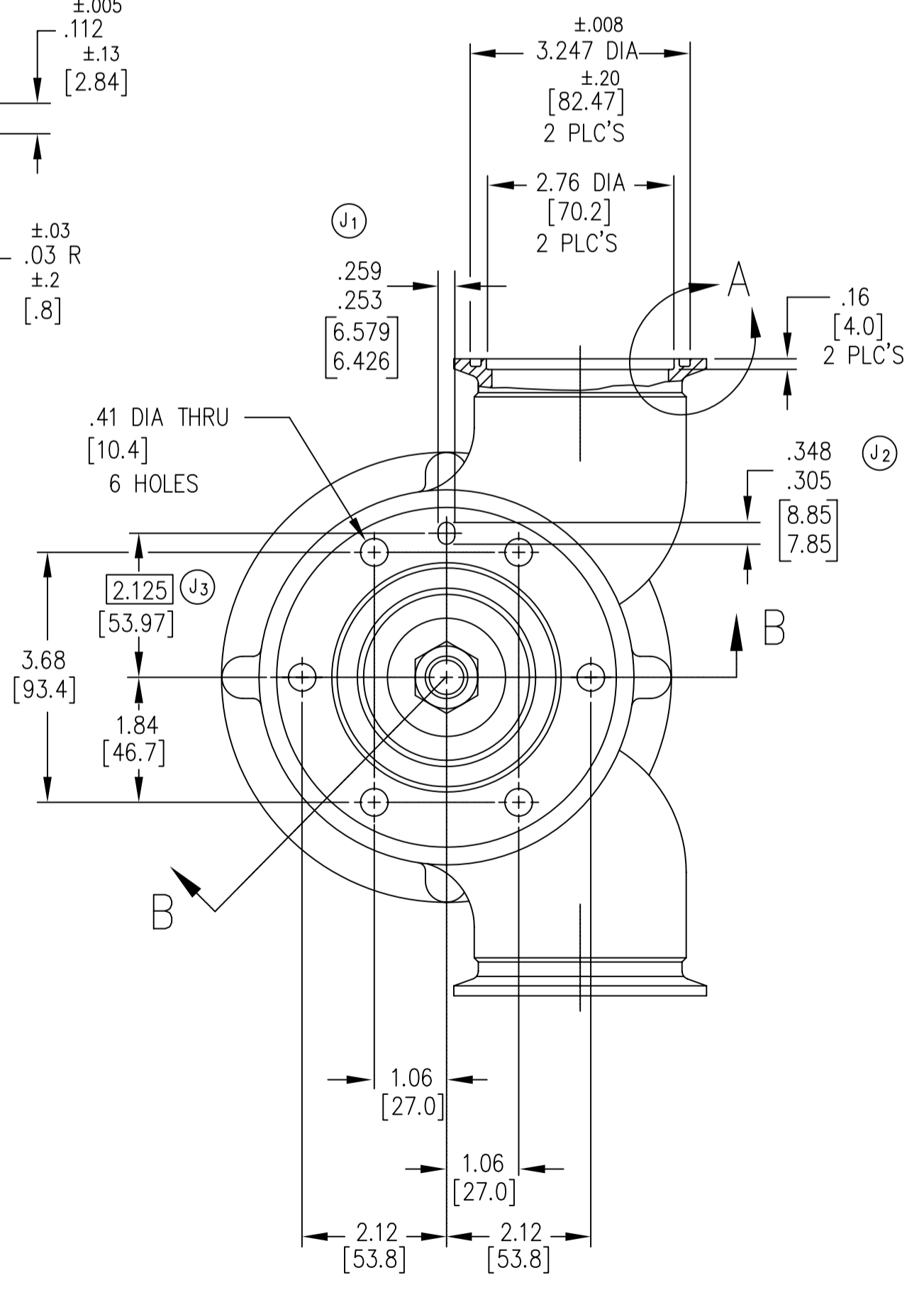
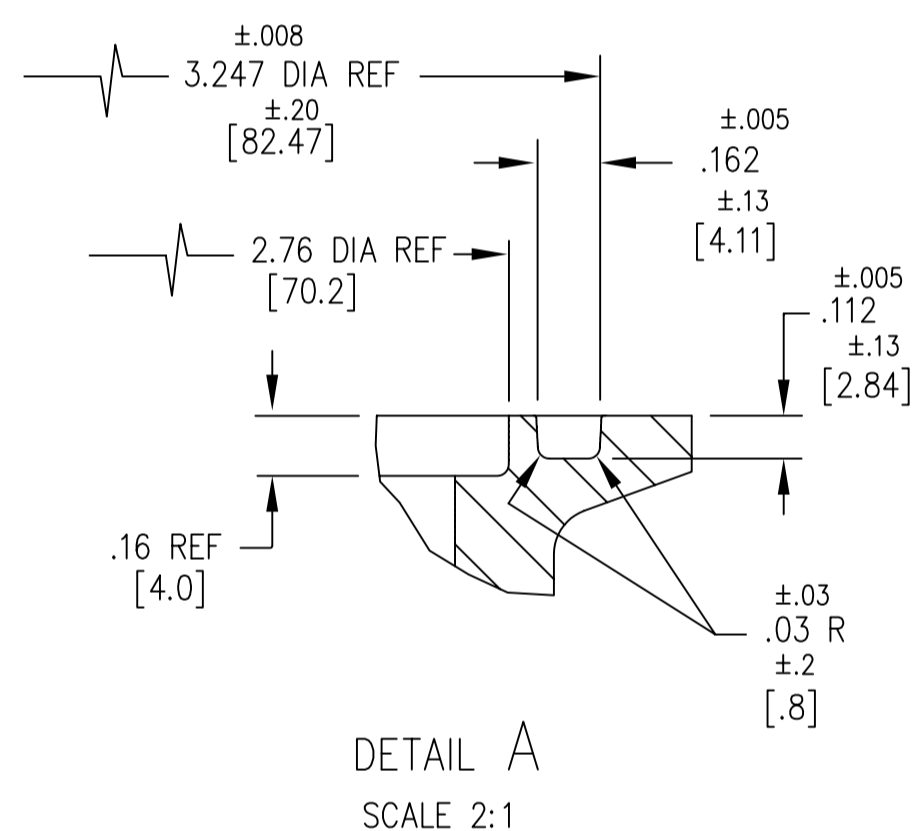
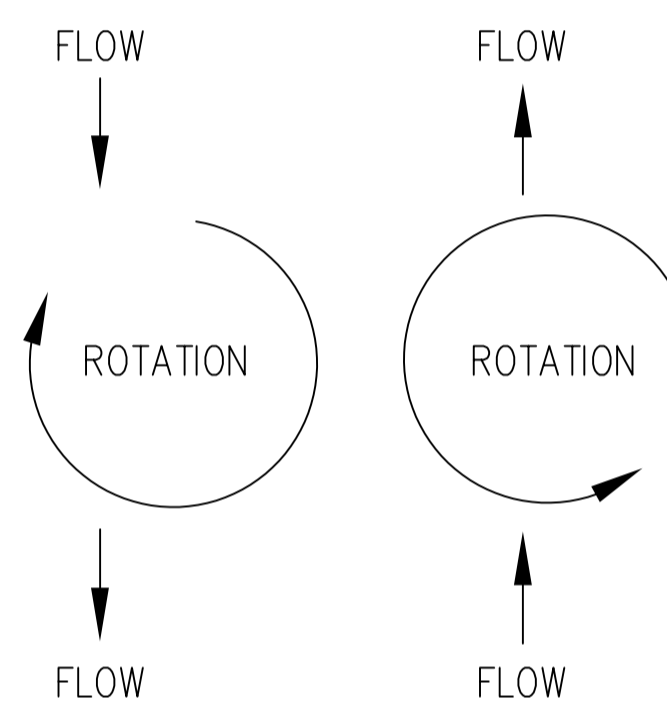


ITEM	PART NO.	DESCRIPTION	QTY	
(L1)	1	17531-8000	BODY - CASTING	1
	1	17531-6000	BODY - MACHINING	REF
	2	14303-8000	BEARING HOUSING - CASTING	1
(G1)	2	14304-0001	BEARING HOUSING - MACHINING	REF
	3	18786-0211	IMPELLER	1
	4	18785-6001	CAM LINER	1
	5	18784-6000	END COVER	1
	6	17536-6000	SHAFT	1
	7	18787-6000	WEAR PLATE	1
	8	92000-6002	O-RING	1
	9	92000-1372	O-RING	1
	10	92000-6260	O-RING	2
	11	96080-6371	SEAL, MECHANICAL	1
	12	SP2701-54	SEAL, LIP	1
	13	17969-6000	SEAL, SPLINE	1
	14	92601-0470	BEARING, ROLLER	1
	15	92600-0534	BEARING, BALL	1
	16	SP1701-244	RETAINING RING	1
	17	91700-6001	RETAINING RING	1
	18	91402-6318	KEY, WOODRUFF	1
	19	SP1112-0289	PIN, DOWEL	1
(E1)	20	91091-0010	SCREW, HEX HD 3/8-16 x 7/8 LONG	4
	21	SP1106-0070	SCREW, HEX HD 1/4-20 x 5/8 LONG	4
	22	SP1085-10	NUT, HEX 5/8-18	1
(K1)	23	91613-6010	WASHER, FLAT	1
	24	91603-0090	WASHER, FLAT 1/4	4
	25	SP1608-01	WASHER, SPLIT LOCK 5/8	1
	26	91605-0091	WASHER, SPLIT LOCK 3/8	4



REV	DESCRIPTION	ECO NO	BY	DATE	CHK	DATE	APVD	DATE
D1	REVISED & REDRAWN	498	HV	4-22-99	JS	5-6-99	JS	5-7-99
D2	RELEASE AT M-41	"	"	"	"	"	"	"
E1	ITEM 20, WAS 93005-0148	601	HV	5-21-99	JN	5-21-99	JS	5-21-99
F1	ADDED VIEW TO SHOW DRAIN SLOT	687	HV	7-20-99	JN	7-20-99	NS	7-20-99
G1	IT 2 WAS 14304-0000	719	JN	8-10-99	VM	8-10-99	VM	8-10-99
G2	3.30 DIA ADDED	"	"	"	"	"	"	"
H1	RELEASE AT M-60	751	JN	9-1-99	"	9-1-99	JS	9-1-99
J1	ADDED .259/253 [6.579/6.416]	796	HV	10-5-99	NS	10-5-99	NS	10-5-99
J2	ADDED .348/305 [8.85/7.85]	"	"	"	"	"	"	"
J3	ADDED 2.125 [53.97]	"	"	"	"	"	"	"
K1	ITEM 23, 91613-6010 WAS 6466-0000	1444	HV	1-19-01	NS	1-19-01	NS	1-19-01
L1	ADDED 17531-8000, BODY - CASTING TO ITEM 1	1826	HV	1-11-02	VM	1-12-02	VM	1-12-02
M	SEE ECN	12151	BNS	2-7-03	BNS	2-7-03	BNS	2-7-03
N	TORQUE FOR ITEM 22 WAS 24-30 FT-LBS	ECN12296	J N R	5/9/03	"	"	"	"
P	DIMENSION AND CHECKING DIM OVER KEY ADDED	ECN13127	BNS	19/12/03	"	"	"	"



- NOTES: UNLESS OTHERWISE SPECIFIED.
- BEFORE ASSEMBLY OF PUMP LUBRICATE IMPELLER BORE, SEAL HOUSING & BEARING HOUSING AS REQUIRED.
 - MARK END COVER, ITEM 5 WITH DDC PART NO. 23525200.
 - DIMENSIONS IN [] ARE IN MILLIMETERS.

TORQUE REQUIREMENT	
ITEM	REQUIRED TORQUE
20	13-15 FT-LBS [17.6-20.3 N-M]
21	75-80 IN-LBS [8.5-9.0 N-M]
22	(HAND TIGHT ONLY)

UNLESS OTHERWISE SPECIFIED ALL DIMENSIONS ARE IN INCHES ALL DIMENSIONS AND TOLERANCING		TOLERANCES ARE: FRACTIONS = ±1/32 DECIMALS .XX = ± XXX = ± ANGULAR = ±		MATERIAL SPEC		JABSCO COSTA MESA, CA FLOJET Foothill Ranch, CA	
THIS DOCUMENT CONTAINS PROPRIETARY INFORMATION OF ITT INDUSTRIES. THIS DOCUMENT IS ISSUED IN STRICT CONFIDENCE AND SHALL NOT BE DISCLOSED TO A THIRD PARTY OR USED FOR MANUFACTURE, PRODUCTION OR PROCUREMENT WITHOUT THE EXPRESS WRITTEN PERMISSION OF ITT INDUSTRIES.		APPROVALS		DATE		TITLE	
DRAWN BY H. WJ		5-6-99		ENGINEERING		ENGINE COOLING PUMP	
CHECKED BY J.R.S.		5-6-99		SIZE		COMPUTER FILE NO 17540-0001	
APVD BY J.R. SMITH		5-7-99		SCALE		1/2 & NOTED	
DO NOT SCALE DRAWING		SHEET		1 OF 1		REV P	