

JABSCO

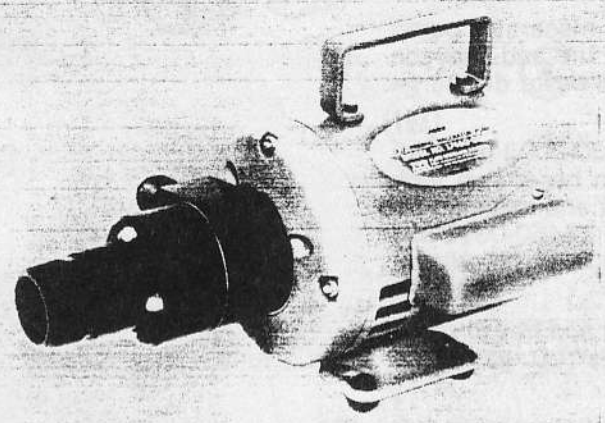
MODELS: 17460-0003  
17460-0013  
115 Volt A.C.

17460-0003 - New # = 18690-0000  
17460-0013 - New # = 18690-0010 (RV Model)

Product Data

MODELS: 17460-0003, 17460-0013

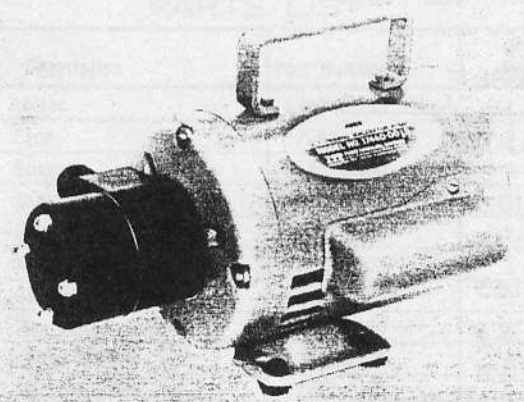
DESIGN FEATURES



17460-0003

- Pump: **Self-Priming Flexible Impeller with Stainless Steel Wearplates**
- Impeller: **JabscO Nitrile Compound**
- Macerator: **Stainless Steel Cutter Plate reduces particle size to 1/8" maximum**
- Seal: **Lip Type**
- Ports: **Model 17460-0003**  
**Inlet — 1 1/2" External Pipe Thread**  
**Outlet — 3/4" Garden Hose Thread**  
**Model 17460-0013**  
**Inlet — 3" Slip-on Hose**  
**Outlet — 3/4" Garden Hose Thread**
- Motor: **115 Volt A.C., Single Phase, 60 Cycle, Thermal Overload Protection**
- Weight: **17 lbs. approx.**

APPLICATION INFORMATION



17460-0013

The 17460 series A.C. JABSCO macerator pump unit is the ideal answer to waste handling problems for marine, recreational vehicle and domestic uses. The macerator section grinds waste down to a particle size of 1/8" maximum so it can be pumped easily through a garden hose discharge line. The pump section is self-priming, permitting the unit to be mounted above or below the tank in a convenient location.

Empties most recirculating toilets in just one minute; empties a 30 gallon holding tank in only 3 minutes!

The 17460 series waste pump will macerate and pump all waste and tissue normally found in marine and recreational vehicle waste systems. It will NOT handle hard solid objects, sanitary napkins or rags.

## INSTALLATION INSTRUCTIONS

**Locating the Pump:** The JABSCO A.C. macerator pump unit is self-priming to an eight foot lift and may be located at any convenient point in the waste discharge system.

**Plumbing Connections:** For model 17460-0003 use minimum 1½" I.D. non-collapsible suction hose. Two inch I.D. hose may be slipped over the inlet and clamped on the smooth area of the port. For model 17460-0013 use 3 inch I.D. non-collapsible hose and clamp on outside diameter of macerator housing.

All suction connections must be airtight and free of sharp bends or restrictions. Use minimum ¾" I.D. garden or contractors hose for discharge.

Be sure adequate voltage and current capacity is available in electrical installation.

## OPERATING INSTRUCTIONS

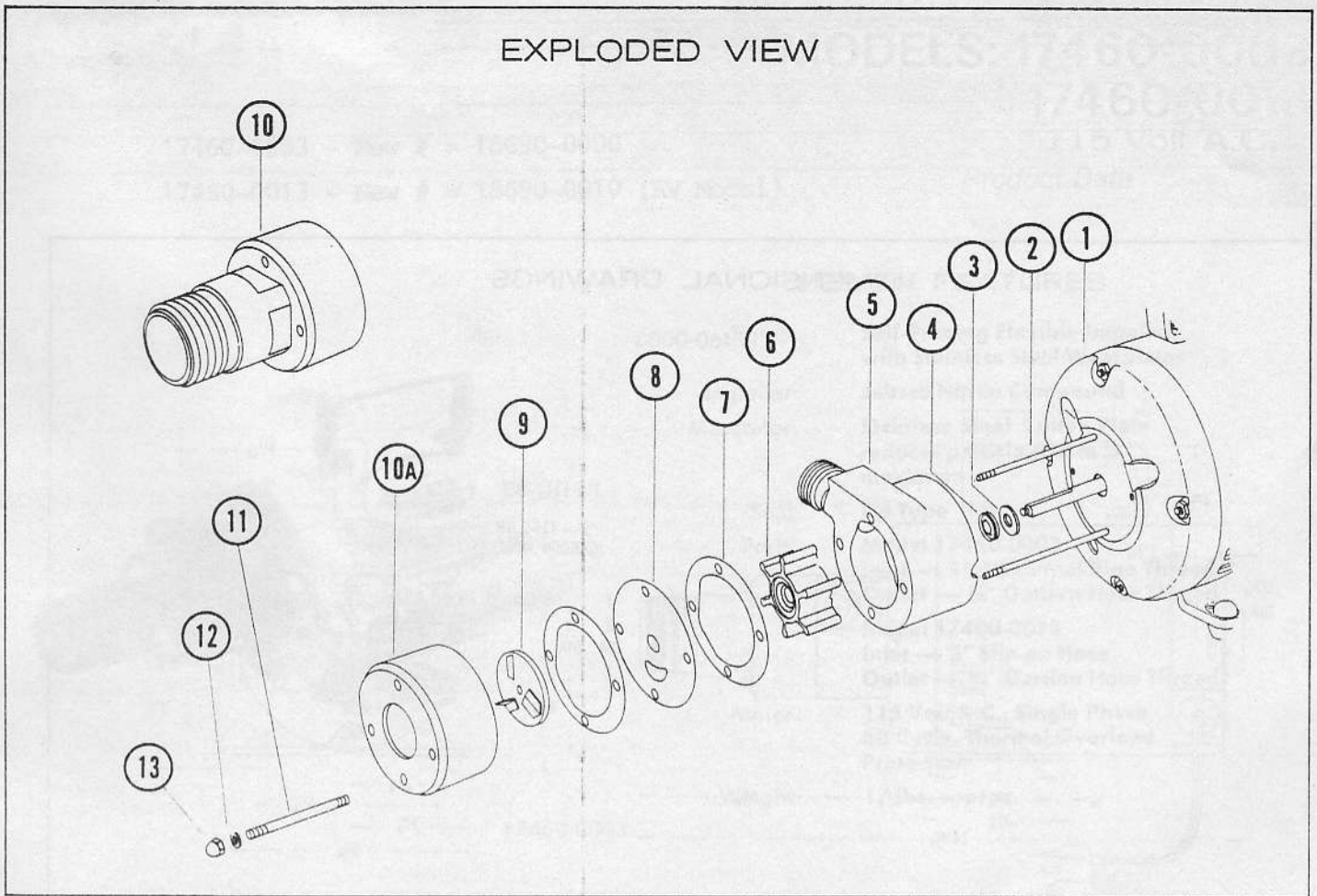
**Operation:** The JABSCO macerator pump unit has been designed to handle waste, toilet tissue, and Kleenex. It will also handle solids such as filter tip cigarettes, cigars and chunks of soft fruits or vegetables less than 1" in size. It will NOT pump solid objects like peach pits, rags, or sanitary napkins. The holding tank and pump should be flushed with several gallons of water after each pumpout. Do NOT run pump dry.

HEAD CAPACITY TABLE

Head Feet	G.P.M.
5	13.0
10	12.0
20	10.5
30	8.5
40	6.0

Flow rates are for water, capacity may be slightly reduced when handling heavy solids. Full load Amps — 7.2.

## EXPLODED VIEW



### PARTS LIST

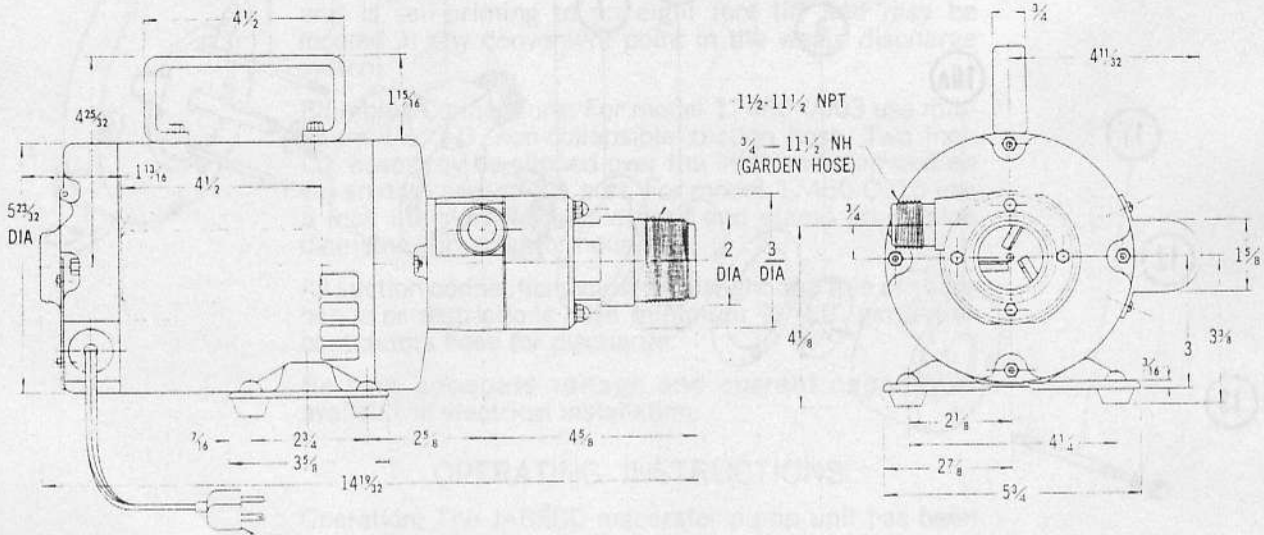
Key	Description	Part Number	Qty. Req.
1	Motor	93004-1840	1
2	Stud	17288-0000	2
3	Slinger	06342-0000	1
4	Seal	92700-0910	1
5	Body	17267-0000	1
6	Impeller	07273-0003	1
7	Gasket	17269-0000	2
8	Wearplate	17268-0000	1
9	Cutter Plate	17266-0000	1
10	Macerator Housing	17263-0000	1
10a	Macerator Housing	17263-0010	1
11	Stud	17288-0010	2
12	Fiber Washer	91613-0140	4
13	Acorn Nut	91085-0340	4

### SERVICE INSTRUCTIONS

1. Remove acorn nuts #91085-0340 and inlet housing #17263-0000.
2. Unscrew cutter plate from shaft by turning counterclockwise facing cutter blades. (Hold motor shaft behind plate to prevent turning.)
3. Remove gaskets, wearplate and slide pump assembly off mounting studs.
4. Replace seal, impeller gaskets or other parts as necessary. To remove seal, push out evenly with screwdriver from impeller bore side of body. To reassemble seal, coat outside of metal case with Permatex or similar sealant and press into body with lip facing impeller. A light coating of grease should be applied to impeller bore and wearplate to aid initial dry startup.
5. Reassemble body, impeller, gaskets, wearplate, cutter plate, suction housing and acorn nuts.

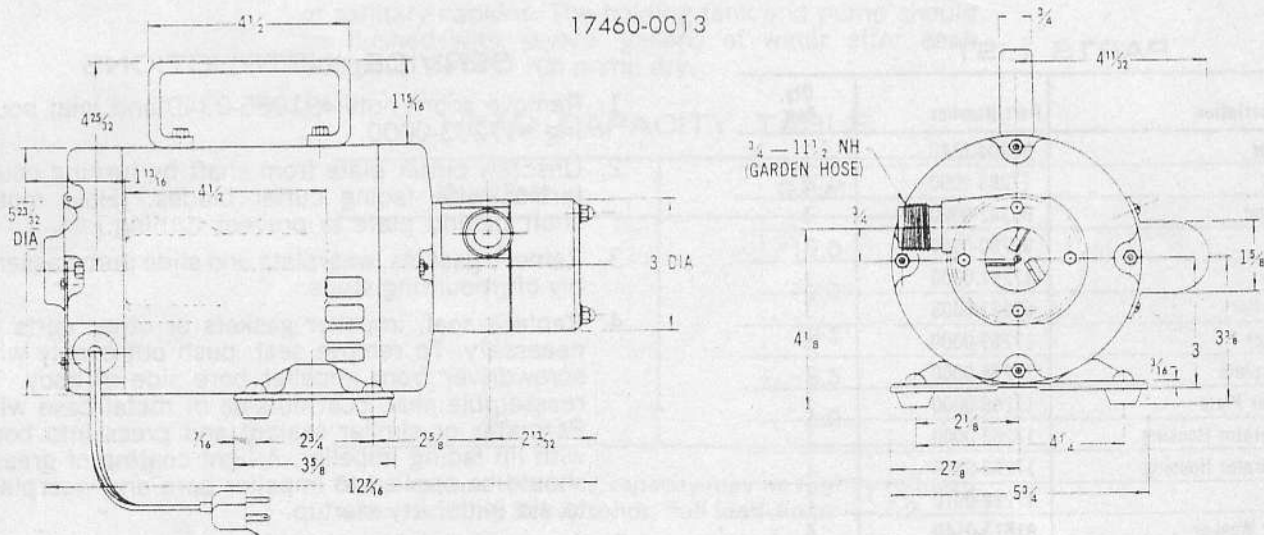
DIMENSIONAL DRAWINGS

17460-0003



-CORD — ELECTRIC 72 = 3 LONG  
WITH 3 PRONG PLUG

17460-0013



-CORD — ELECTRIC 72 = 3 LONG  
WITH 3 PRONG PLUG

**JABSCO PRODUCTS** **ITT**

A Unit of International Telephone and Telegraph Corporation, 1485 Dale Way, Costa Mesa, California 92626