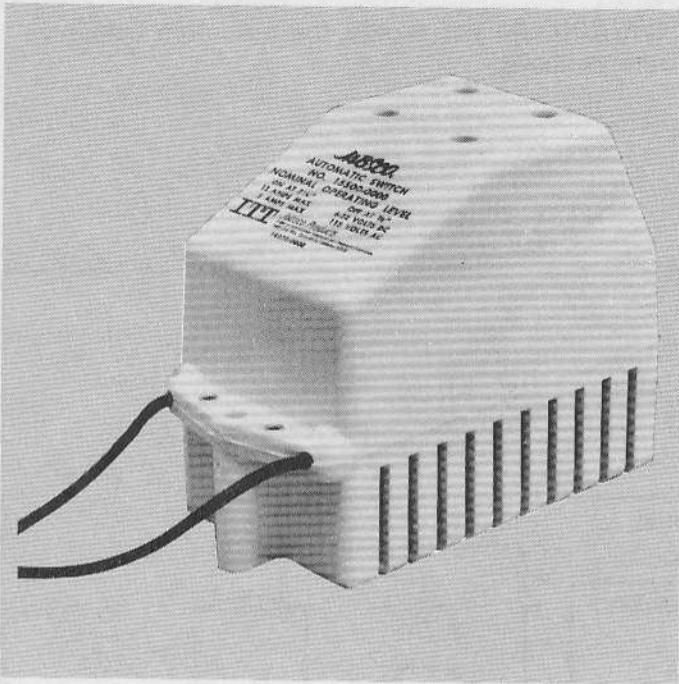


JABSCO® BILGE PUMP SWITCH

MODEL 15500-0000

PRODUCT DATA



APPLICATION INFORMATION

Designed for:

- Automatic Bilge Pump Operation
- High Water Level Alarm
- Low Level Cut-off Switch
- Electric Clutch Operation

DESIGN FEATURES

Construction:	Inert materials: No corrosion or electrolysis
Operation:	Spark proof
Housing:	Acetal Plastic
Connection Leads:	Three feet in length
Voltage:	DC or AC

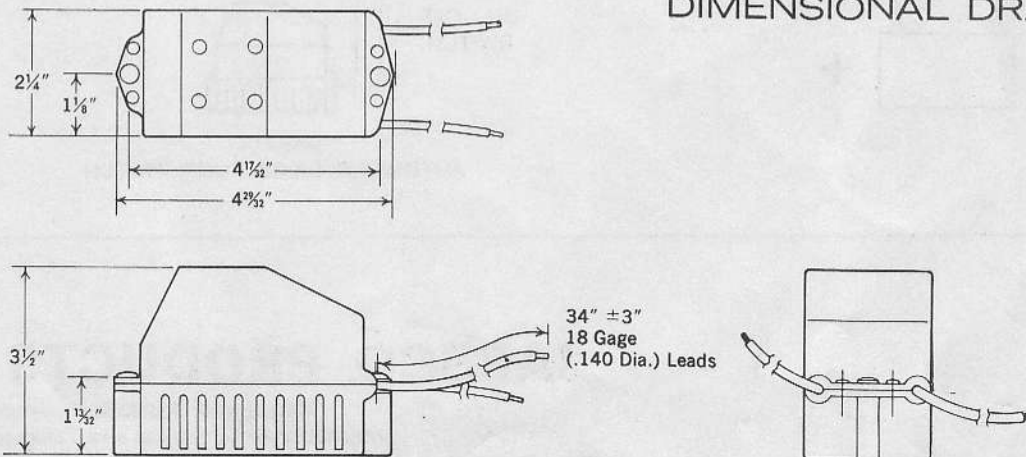
- Meets USCG Electrical Standards Title 33, Chapter 1, Subpart 183.410

FEATURES • BENEFITS

POLYURETHANE FLOAT — FREE FLOAT ACTION. Foam construction assures flotation, can not water-log. **PLASTIC HOUSING — NO JAMMING, NO FOULING.** Tough housing protects float from objects adrift in bilge, dampens sloshing of bilge water in heavy seas.

MERCURY CAPSULE — SAFETY, RELIABILITY. Capsule is permanently molded in the plastic foam float for spark-proof, positive action and repeatability—assuring reliable, fully automatic bilge pump operation.

DIMENSIONAL DRAWING



JABSCO PRODUCTS **ITT**

Form 43000-0008 Rev. 3-79

MODEL 15500-0000

INSTALLATION AND OPERATING INSTRUCTIONS

Mount the switch base at the same level as the pump base, or slightly higher, to assure water level at the pump suction opening. Mount switch base horizontally, do not mount on angle of Vee bottom. Preferred mounting position is with switch fore and aft and wires toward bow. May also be mounted athwartships if base is horizontal. Make all wiring connections well above high water level. Always use proper size for pump. Locate fuse on hot (positive) pump wire lead and away from bilge water.

TECHNICAL INFORMATION

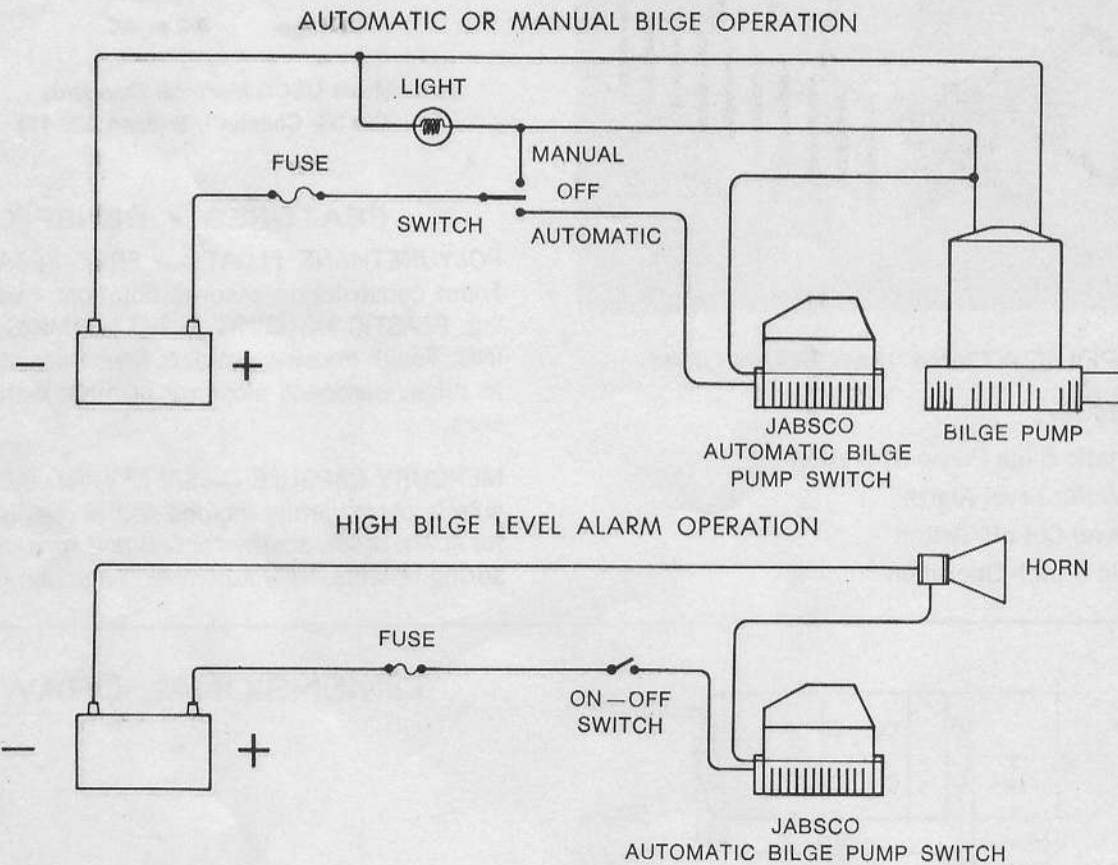
Voltage: 6, 12, 24 and 32 Volts D.C., 115 Volts A.C.

Amperage: 15 Amps Maximum, 6-32 Volts D.C.
5 Amps Maximum, 115 Volts A.C.

Nominal Operating Level: On at 2¼", Off at 7/8"

CAUTION: Do not exceed the maximum amperage ratings above.

WIRING DIAGRAM



JABSCO PRODUCTS **ITT**

Marine and Recreation Components Division
International Telephone and Telegraph Corporation
1485 Dale Way, Costa Mesa, California 92626 Phone 714/545-8251