

12510-0001

VARIATIONS AVAILABLE

| Model | Variations Incorporated |
|------------|--|
| 12510-0003 | Nitrile Impeller |
| 12510-0271 | Totally Enclosed Motor Neoprene Impeller |

DESIGN FEATURES

| | |
|-----------|--|
| Body: | Bronze |
| Impeller: | Model 12510-0001: Jabsco Neoprene Model 12520-0001: Jabsco Neoprene |
| Seal: | Lip Type |
| Ports: | $\frac{3}{8}$ " Pipe Thread Internal $\frac{3}{4}$ " Garden Hose External |
| Motor: | 115 Volt AC, 1/6 HP, 1750 RPM, 60 Cycle, Relay Start and Thermal Overload Protector, Stainless Steel Shaft and 3 Prong Ground Plug. |
| Weight: | 12 Lbs. (approx.) (5.4 Kgs) |

VARIATIONS AVAILABLE

| Model | Variations Incorporated |
|------------|--|
| 12520-0003 | Nitrile Impeller |
| 12520-0004 | Viton Impeller and Seal |
| 12520-0271 | Totally Enclosed Motor Neoprene Impeller |
| 12520-0273 | Totally Enclosed Motor Nitrile Impeller |
| 12520-0274 | Totally Enclosed Motor Viton Impeller and Seal |

APPLICATIONS AND OPERATING INSTRUCTIONS

INDUSTRIAL: Circulating and transferring, Velocity-mixing Pumping machine tool coolants, Return spill, Sump drainage, Chemicals, Pharmaceuticals, Soap, Liquors, Ink, Dyes, Alcohol, Glycerine, Brine and pumping water for cooling Heliarc Welding Equipment.

FARMING: Pumping water for stock, Pumping water from shallow wells and cisterns.

MARINE: Pumping bilges, Washdowns, Utility dock side pump.

PLUMBING & HOME EMERGENCY USE: Pumping out flooded basements, Cesspools, Sumps, Water heaters and water closets, Drains and sinks, Draining fishponds and pools.

PUBLIC UTILITIES AND MUNICIPALITIES: Dewatering and draining meter boxes and excavations, dust control and sampling.

1. **INSTALLATION** — Pump may be mounted in any position.

Intake and discharge ports are determined by the direction of shaft rotation (refer to Dimensional Drawing).

2. **SELF-PRIMING** — Vertical dry suction lift of 6 feet with Neoprene impeller. Pump will produce suction lift up to 22 feet when wetted. **BE SURE SUCTION LINES ARE AIR TIGHT OR PUMP WILL NOT SELF PRIME.**
Note: Viton impeller dry suction lift requirement should not exceed 3 feet.

JABSCO PRODUCTS ITT

INSTALLATION AND OPERATING INSTRUCTIONS

(Cont.)

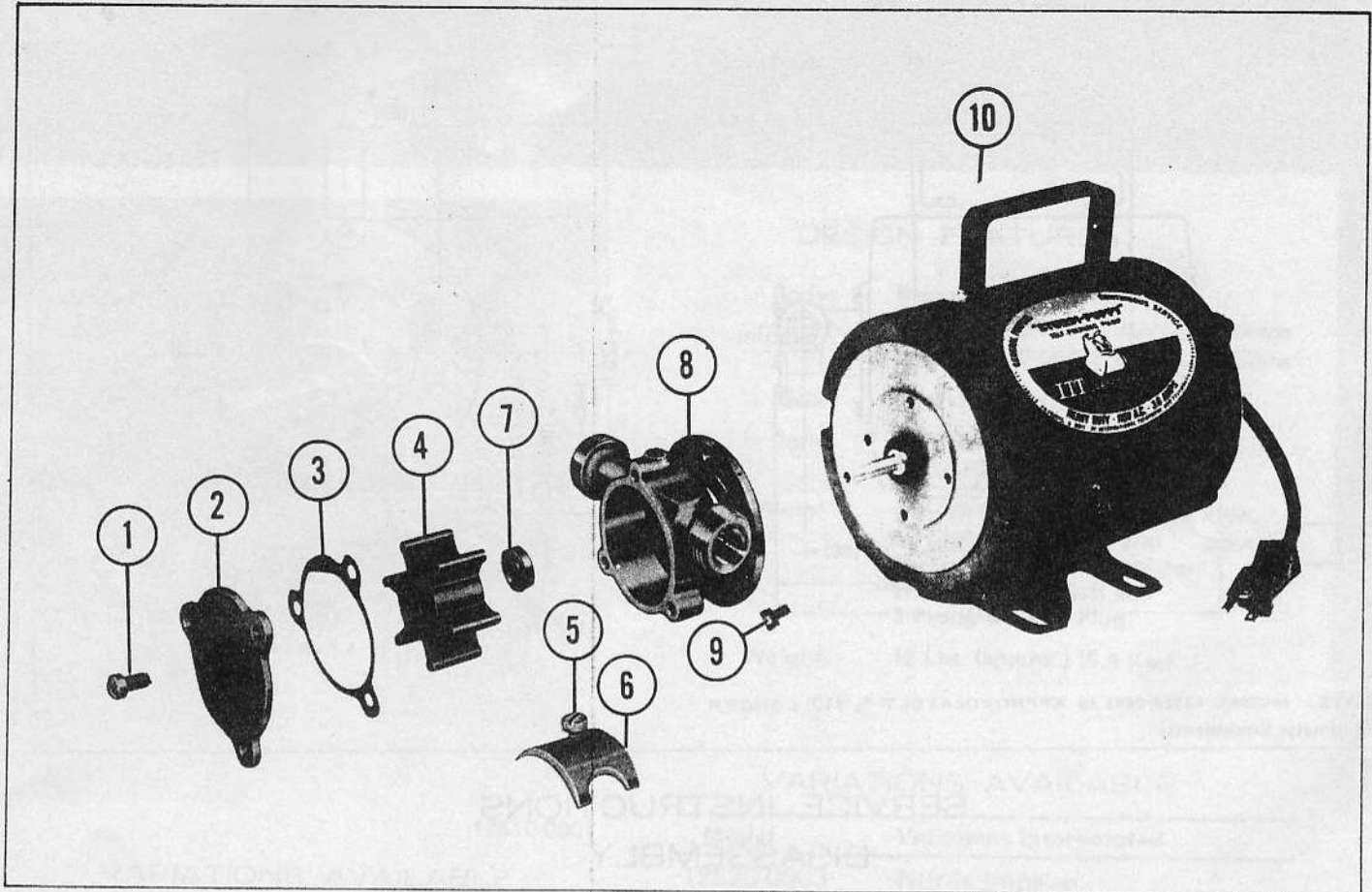
3. DISCHARGE LINE: When transferring liquids further than 25 ft., use 1/2" ID or larger discharge line.
4. RUNNING DRY—Unit depends on liquid pumped for lubrication. DO NOT RUN DRY for more than 30 seconds. Lack of liquid will burn the impeller.
5. CAUTION — If pumping light fraction petroleum derivatives, solvents, thinners, highly concentrated or organic acids, consult Jabsco "Chemical Resistant Table" for proper body materials and impeller compounds. If corrosive fluids are handled, pump life will be prolonged, if flushed with water after each use or after each work day.
6. PRESSURES — Consult Head Capacity Table for recommended maximum for continuous operation. If pressures exceed those shown, consult the factory.
7. TEMPERATURES:
 Neoprene: 45° to 180°F.
 Nitrile: 50° to 180°F.
 Viton: 60° to 180°F.
8. FREEZING WEATHER — Drain unit by loosening end cover. The following anti-freeze compounds can be used without any adverse effects to the impeller: Atlas "Perma-guard", DuPont "Zerex" and "Telar", Dow Chemical "Dowguard" and Olin Mathison "Pyro Permanent". DO NOT USE PETROLEUM BASED ANTI-FREEZE COMPOUNDS OR RUST INHIBITORS.
9. GASKET — Use a standard pump part. Thicker gasket will reduce priming ability. A thinner gasket will cause the impeller to bind. Standard gasket is .010 thick.
10. SPARE PARTS — To avoid costly shut downs, keep a JABSCO Service Kit on hand.

HEAD CAPACITY TABLES

| TOTAL HEAD | | CAPACITY | | |
|-------------------|-----------------|--------------------------|--------------------------|--------------------------|
| PSI (Kg/Sq Cm) | Ft. (Meters) | 12510-0001 12510-0271 | 12520-0001 12520-0271 | 12520-0004 12520-0274 |
| 4.3 (0,3) | 10 (3,0) | 2.6 (9,8) | 6.0 (22,7) | 5.5 (20,8) |
| 8.7 (0,6) | 20 (6,1) | 2.5 (9,5) | 5.2 (19,7) | 4.6 (17,4) |
| 13.0 (0,9) | 30 (9,1) | 2.3 (8,7) | 4.3 (16,3) | 3.5 (13,2) |
| 17.3 (1,2) | 40 (12,2) | 2.1 (7,9) | 3.0 (11,4) | |
| 21.6 (1,5) | 50 (15,2) | 1.8 (6,8) | | |

Table shows approximate Head-Flow for new pump with Neoprene Impeller in U.S. GPM and (Liters/Min).

EXPLODED VIEW—MODEL 12510-0001

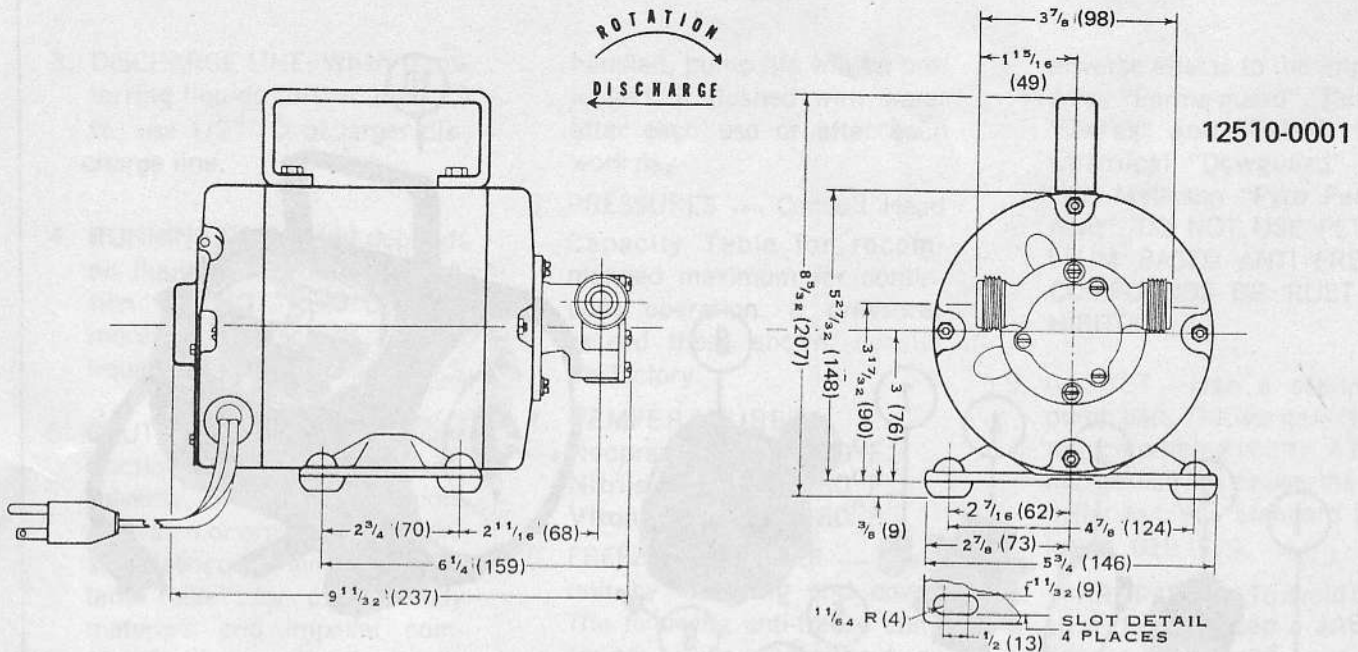


PARTS LIST

| Key | Description | 12510 Series | 12520 Series |
|-----|------------------------------|--------------|--------------|
| 1 | Screw (End Cover) | 91002-0090 | 91004-0090 |
| 2 | End Cover | 11833-0000 | 12071-0000 |
| 3 | *Gasket | 9156-0000 | 1985-0000 |
| 4 | *Impeller, Neoprene | 9200-0001 | 7273-0001 |
| | Nitrile | 9200-0003 | 7273-0003 |
| | Viton | - | 7273-0004 |
| 5 | Screw (Cam) | - | 91002-0010 |
| 6 | Cam | - | 2907-0000 |
| 7 | *Seal, Buna N | 1040-0000 | 93000-0100 |
| | Viton | - | 93000-0130 |
| 8 | Body | 9154-0000 | 6944-0000 |
| 9 | Screw (Pump to Motor) | 98019-0020 | 98019-0020 |
| 10 | Motor - 0001 | | |
| | - 0003 | 93004-0790 | 93004-0790 |
| | - 0004 | | |
| | - 0271 | | |
| | - 0273 | 93004-1570 | 93004-1570 |
| | - 0274 | | 93004-1670 |
| | Service Kit - 0001 | | |
| | - 0271 | 90106-0001 | 90061-0002 |
| | - 0003 | | |
| | - 0273 | 90106-0013 | 90061-0023 |
| | - 0004 | | 90061-0004 |
| | - 0274 | | |
| | Replacement Pump Head - 0001 | 9130-0211 | 9190-0001 |

*Parts Supplied in Service Kit

DIMENSIONAL DRAWING



NOTE: MODEL 12520-0001 IS APPROXIMATELY $\frac{3}{8}$ " (10) LONGER
(Millimeter Equivalents)

SERVICE INSTRUCTIONS DISASSEMBLY

1. Remove screws, end cover and gasket.
2. Withdraw impeller.
3. Loosen and remove two slotted hex screws, which attach body to motor.
4. Tap body lightly between ports and remove body from motor.

1. **Model 12520 Series:**
Deform seal and remove from body cavity.

Model 12510 Series:
Press seal out of seal cavity.

NOTE: Do not tamper with or disassemble motor.

ASSEMBLY

1. **Model 12520 Series:**
Lubricate seal. Deform seal and install in cavity with open side of seal facing impeller.

Model 12510 Series:

Press seal into seal cavity with lip facing impeller bore. Lubricate lip of seal. The retainer supplied with the replacement seal is not normally required in this bronze body pump assembly.

3. Lubricate impeller bore and aligning flat in impeller with flat on motor shaft, install impeller.
4. Install gasket, end cover and screws.

2. Lubricate motor shaft and install body on motor.

JABSCO PRODUCTS ITT

A Unit of International Telephone and Telegraph Corporation, 1485 Dale Way, Costa Mesa, California 92626

Telephone: (714) 545-8251