

12510-0001

VARIATIONS AVAILABLE

Model	Variations Incorporated
12510-0003	Nitrile Impeller
12510-0271	Totally Enclosed Motor Neoprene Impeller

DESIGN FEATURES

Body:	<b>Bronze</b>
Impeller:	Model 12510-0001: Jabsco Neoprene Model 12520-0001: Jabsco Neoprene
Seal:	<b>Lip Type</b>
Ports:	$\frac{3}{8}$ " Pipe Thread Internal $\frac{3}{4}$ " Garden Hose External
Motor:	<b>115 Volt AC, 1/6 HP, 1750 RPM, 60 Cycle, Relay Start and Thermal Overload Protector, Stainless Steel Shaft and 3 Prong Ground Plug.</b>
Weight:	<b>12 Lbs. (approx.) (5.4 Kgs)</b>

VARIATIONS AVAILABLE

Model	Variations Incorporated
12520-0003	Nitrile Impeller
12520-0004	Viton Impeller and Seal
12520-0271	Totally Enclosed Motor Neoprene Impeller
12520-0273	Totally Enclosed Motor Nitrile Impeller
12520-0274	Totally Enclosed Motor Viton Impeller and Seal

APPLICATIONS AND OPERATING INSTRUCTIONS

**INDUSTRIAL:** Circulating and transferring, Velocity-mixing Pumping machine tool coolants, Return spill, Sump drainage, Chemicals, Pharmaceuticals, Soap, Liquors, Ink, Dyes, Alcohol, Glycerine, Brine and pumping water for cooling Heliarc Welding Equipment.

**FARMING:** Pumping water for stock, Pumping water from shallow wells and cisterns.

**MARINE:** Pumping bilges, Washdowns, Utility dock side pump.

**PLUMBING & HOME EMERGENCY USE:** Pumping out flooded basements, Cesspools, Sumps, Water heaters and water closets, Drains and sinks, Draining fishponds and pools.

**PUBLIC UTILITIES AND MUNICIPALITIES:** Dewatering and draining meter boxes and excavations, dust control and sampling.

1. **INSTALLATION** — Pump may be mounted in any position.

Intake and discharge ports are determined by the direction of shaft rotation (refer to Dimensional Drawing).

2. **SELF-PRIMING** — Vertical dry suction lift of 6 feet with Neoprene impeller. Pump will produce suction lift up to 22 feet when wetted. **BE SURE SUCTION LINES ARE AIR TIGHT OR PUMP WILL NOT SELF PRIME.**  
**Note:** Viton impeller dry suction lift requirement should not exceed 3 feet.

**JABSCO PRODUCTS ITT**

# INSTALLATION AND OPERATING INSTRUCTIONS

(Cont.)

3. DISCHARGE LINE: When transferring liquids further than 25 ft., use 1/2" ID or larger discharge line.
4. RUNNING DRY—Unit depends on liquid pumped for lubrication. DO NOT RUN DRY for more than 30 seconds. Lack of liquid will burn the impeller.
5. CAUTION — If pumping light fraction petroleum derivatives, solvents, thinners, highly concentrated or organic acids, consult Jabsco "Chemical Resistant Table" for proper body materials and impeller compounds. If corrosive fluids are handled, pump life will be prolonged, if flushed with water after each use or after each work day.
6. PRESSURES — Consult Head Capacity Table for recommended maximum for continuous operation. If pressures exceed those shown, consult the factory.
7. TEMPERATURES:  
 Neoprene: 45° to 180°F.  
 Nitrile: 50° to 180°F.  
 Viton: 60° to 180°F.
8. FREEZING WEATHER — Drain unit by loosening end cover. The following anti-freeze compounds can be used without any adverse effects to the impeller: Atlas "Perma-guard", DuPont "Zerex" and "Telar", Dow Chemical "Dowguard" and Olin Mathison "Pyro Permanent". DO NOT USE PETROLEUM BASED ANTI-FREEZE COMPOUNDS OR RUST INHIBITORS.
9. GASKET — Use a standard pump part. Thicker gasket will reduce priming ability. A thinner gasket will cause the impeller to bind. Standard gasket is .010 thick.
10. SPARE PARTS — To avoid costly shut downs, keep a JABSCO Service Kit on hand.

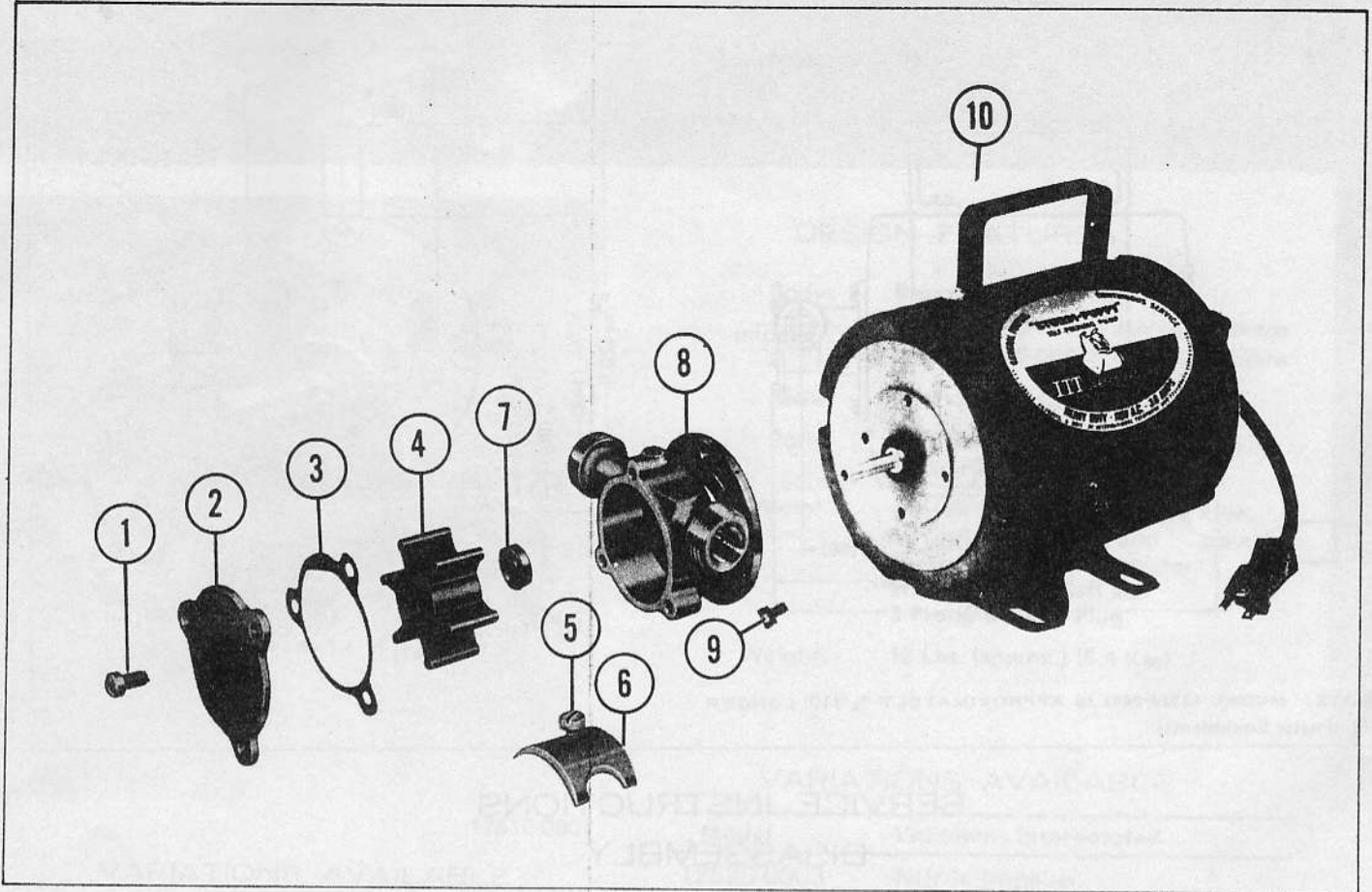
## HEAD CAPACITY TABLES

TOTAL HEAD		CAPACITY		
PSI (Kg/Sq Cm)	Ft. (Meters)	12510-0001 12510-0271	12520-0001 12520-0271	12520-0004 12520-0274
4.3 (0,3)	10 (3,0)	2.6 (9,8)	6.0 (22,7)	5.5 (20,8)
8.7 (0,6)	20 (6,1)	2.5 (9,5)	5.2 (19,7)	4.6 (17,4)
13.0 (0,9)	30 (9,1)	2.3 (8,7)	4.3 (16,3)	3.5 (13,2)
17.3 (1,2)	40 (12,2)	2.1 (7,9)	3.0 (11,4)	
21.6 (1,5)	50 (15,2)	1.8 (6,8)		

Table shows approximate Head-Flow for new pump with Neoprene Impeller in U.S. GPM and (Liters/Min).



EXPLODED VIEW—MODEL 12510-0001

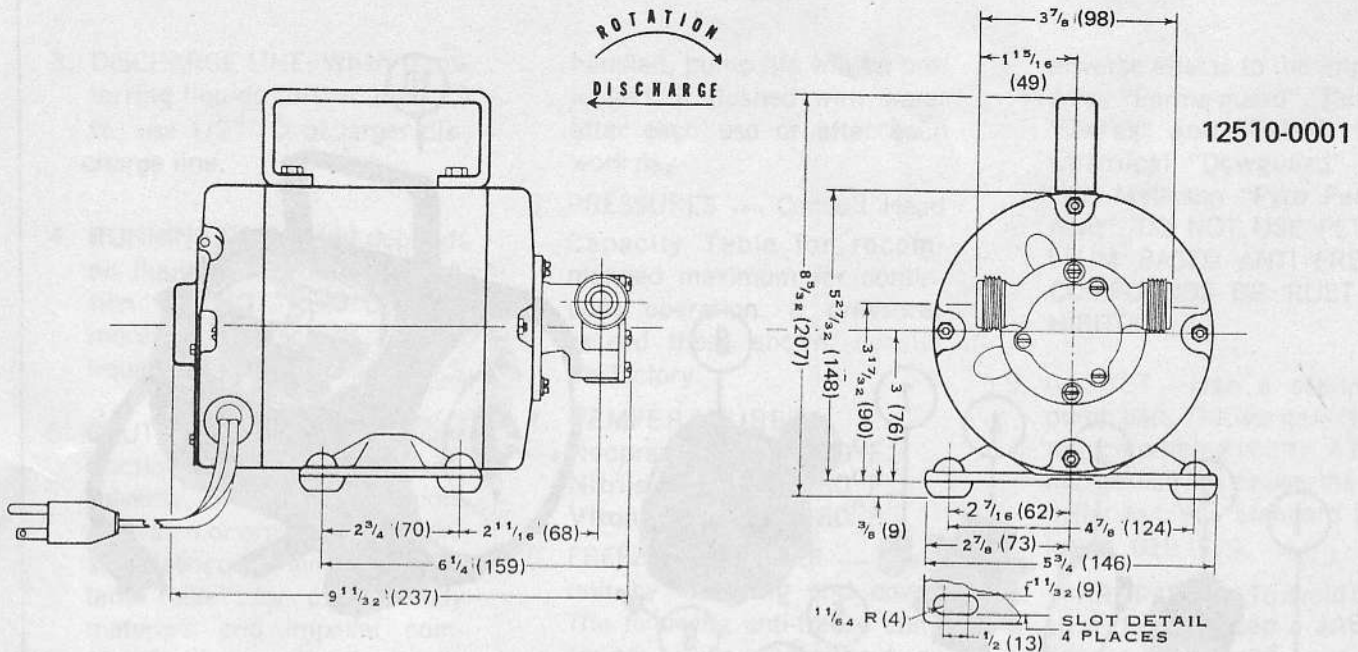


PARTS LIST

Key	Description	12510 Series	12520 Series
1	Screw (End Cover)	91002-0090	91004-0090
2	End Cover	11833-0000	12071-0000
3	*Gasket	9156-0000	1985-0000
4	*Impeller, Neoprene	9200-0001	7273-0001
	Nitrile	9200-0003	7273-0003
	Viton	-	7273-0004
5	Screw (Cam)	-	91002-0010
6	Cam	-	2907-0000
7	*Seal, Buna N	1040-0000	93000-0100
	Viton	-	93000-0130
8	Body	9154-0000	6944-0000
9	Screw (Pump to Motor)	98019-0020	98019-0020
10	Motor - 0001		
	- 0003	93004-0790	93004-0790
	- 0004		
	- 0271		
	- 0273	93004-1570	93004-1570
	- 0274		93004-1670
	Service Kit - 0001		
	- 0271	90106-0001	90061-0002
	- 0003		
	- 0273	90106-0013	90061-0023
	- 0004		90061-0004
	- 0274		
	Replacement Pump Head - 0001	9130-0211	9190-0001

\*Parts Supplied in Service Kit

# DIMENSIONAL DRAWING



NOTE: MODEL 12520-0001 IS APPROXIMATELY  $\frac{3}{8}$ " (10) LONGER  
(Millimeter Equivalents)

## SERVICE INSTRUCTIONS DISASSEMBLY

1. Remove screws, end cover and gasket.
2. Withdraw impeller.
3. Loosen and remove two slotted hex screws, which attach body to motor.
4. Tap body lightly between ports and remove body from motor.

1. **Model 12520 Series:**  
Deform seal and remove from body cavity.

**Model 12510 Series:**  
Press seal out of seal cavity.

**NOTE:** Do not tamper with or disassemble motor.

## ASSEMBLY

1. **Model 12520 Series:**  
Lubricate seal. Deform seal and install in cavity with open side of seal facing impeller.

**Model 12510 Series:**

Press seal into seal cavity with lip facing impeller bore. Lubricate lip of seal. The retainer supplied with the replacement seal is not normally required in this bronze body pump assembly.

3. Lubricate impeller bore and aligning flat in impeller with flat on motor shaft, install impeller.
4. Install gasket, end cover and screws.

2. Lubricate motor shaft and install body on motor.

**JABSCO PRODUCTS** **ITT**

A Unit of International Telephone and Telegraph Corporation, 1485 Dale Way, Costa Mesa, California 92626

Telephone: (714) 545-8251