

JABSCO®

Models 12510-SERIES 12520-SERIES

Models 12510-SERIES, 12520-SERIES

SELF-PRIMING PUMPS FEATURES

- Body:** Bronze
Impeller: Neoprene, Nitrile, Viton*
Shaft Seal: Lip Type
- Ports:** Model 12510-Series
 3/8" NPT Internal
 3/4" GHT External
 Model 12520-Series
 1/2" NPT Internal
 1" Hose Barb External
 Adaptor for 3/4" External Garden
 Hose Thread
- Motor:** 1/6hp - 115 Vac, 60 Hz. ODP Motor
 1/4hp - 115 Vac, 60 Hz. TENV Motor
 1725 RPM,
 Thermal Overload Protector,
 Stainless Steel Shaft,
 8 ft. Cord with 3 Prong
 Grounded Plug.
- Weight:** 12 lb (5,4 kg)



VARIATIONS AVAILABLE

MODEL	DESCRIPTION	MODEL	DESCRIPTION
12510-0001	Open Drip Proof Motor Neoprene Impeller	12520-1004	Open Drip Proof Motor, Viton Impeller and Seal
12510-0003	Open Drip Proof Motor, Nitrile Impeller	12520-1271	Totally Enclosed Motor, Neoprene Impeller
12510-0271	Totally Enclosed Motor, Neoprene Impeller	12520-1273	Totally Enclosed Motor, Nitrile Impeller
12520-1001	Open Drip Proof Motor, Neoprene Impeller	12520-1274	Totally Enclosed Motor, Viton Impeller and Seal
12520-1003	Open Drip Proof Motor, Nitrile Impeller		

**WARNING: DO NOT PUMP SOLVENTS, THINNERS
OR GASOLINE AS EXPLOSION MAY RESULT
CAUSING PERSONAL INJURY OR DEATH.**

APPLICATIONS

INDUSTRIAL: Circulating and transferring, velocity-mixing, pumping machine tool coolants, return spill, sump drainage, pharmaceuticals, soap, liquors, ink, dyes, alcohol, glycerine, brine and pumping water for cooling heliarc welding equipment.

FARMING: Pumping water for stock, pumping water from shallow wells and cisterns.

MARINE: Washdowns, utility dock side pump.

PLUMBING & HOME EMERGENCY USE: Pumping out flooded basements, cesspools, sumps, water heaters and water closets, drains and sinks, draining fishponds and small pools.

PUBLIC UTILITIES AND MUNICIPALITIES: Dewatering and draining meter boxes and excavations, dust control and sampling.

*Viton is a trademark of E. I. Du Pont de Nemours and Company.

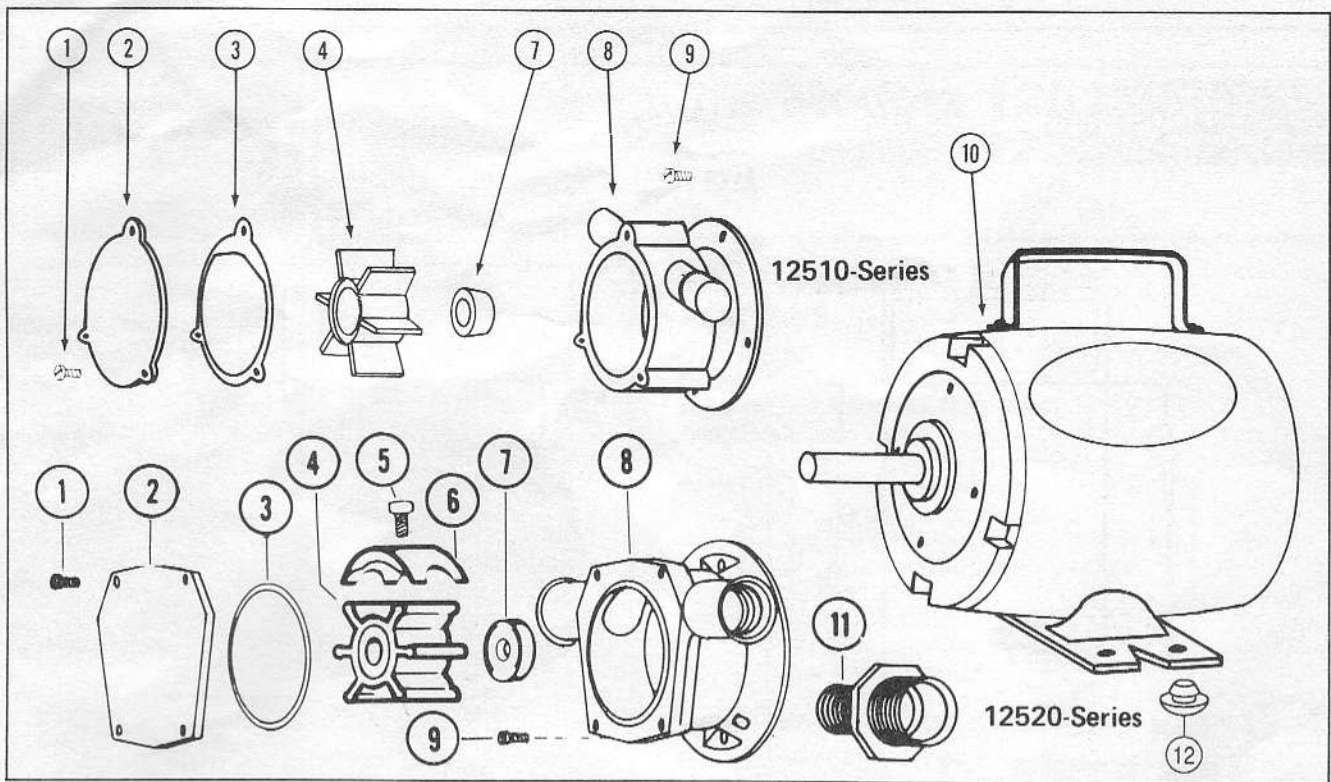
OPERATING INSTRUCTIONS

1. **INSTALLATION** – Pump may be mounted in any position. Inlet port is on the right and discharge port on the left when looking at end cover.
2. **SELF-PRIMING** – Vertical dry suction lift of 6 feet with Neoprene impeller. Pump will produce suction lift up to 20 feet when wetted. **BE SURE SUCTION LINES ARE AIRTIGHT OR PUMP WILL NOT SELF PRIME. Note:** Viton impeller dry suction lift requirement should not exceed 3 feet.
3. **DISCHARGE LINE** – When transferring liquids further than 25 feet, discharge line size should be increased to next available pipe size.
4. **RUNNING DRY** – Unit depends on liquid pumped for lubrication. **DO NOT RUN DRY** for more than 30 seconds. Lack of liquid will damage the impeller.
5. **NOTICE** – If pumping highly concentrated or organic acids, consult Jabsco Chemical Resistance Table (available upon request from ITT Jabsco) for proper body materials and impeller compounds. When corrosive fluids are handled, pump life will be prolonged if pump is flushed with water after each use or after each work day.
6. **PRESSURES** – Consult Head Capacity Table for recommended maximum pressures for continuous operation. If pressures exceed those shown, consult the factory for application assistance.
7. **TEMPERATURES** –
 Neoprene: 45° to 180° F (7° to 82° C)
 Nitrile: 50° to 180° F (10° to 82° C)
 Viton: 60° to 180° F (15° to 82° C)
8. **FREEZING WEATHER** – Drain unit by loosening end cover. The following anti-freeze compounds can be used without adverse effects to the impeller: Atlas "Permaguard," DuPont "Zerex" and "Telar," Dow Chemical "Dowguard" and Olin Mathison "Pyro Permanent." **DO NOT USE PETROLEUM BASED ANTI-FREEZE COMPOUNDS OR RUST INHIBITORS.**
9. **GASKET** – Use a standard pump part. Thicker gasket will reduce priming ability. A thinner gasket will cause the impeller to bind. Standard gasket is 0.010" thick.
10. **SPARE PARTS** – To avoid costly shut downs, keep a JABSCO Service Kit on hand.

HEAD CAPACITY TABLES

TOTAL HEAD		CAPACITY				
P.S.I. (kg/sq cm)	Ft. (Metres)	12510-0001 12510-0271	12510-0003	12520-1001 12520-1271	12520-1003 12520-1273	12520-1004 12520-1274
4.3 (0,3)	10 (0,3)	2.7 (10,2)	2.7 (10,2)	5.8 (22)	5.8 (22)	5.75 (21,8)
8.7 (0,6)	20 (6,1)	2.6 (9,8)	2.5 (9,5)	5.4 (20,4)	5.2 (19,7)	5.2 (19,7)
13.0 (0,9)	30 (9,1)	2.5 (9,5)	2.2 (8,3)	4.8 (18,2)	4.2 (15,9)	4.65 (17,6)
17.3 (1,2)	40 (12,2)	2.4 (9,1)	2.1 (7,9)	4.0 (15,1)	–	–
21.6 (1,5)	50 (15,2)	2.3 (8,7)	2.0 (7,6)	–	–	–

Tables show approximate Head-Flow for new pump in U.S. GPM and (litres/min.)



PARTS LIST

Key	Description	12510-Series	12520-Series
1	Screw Kit (End Cover) includes 3 screws	18753-0105	-
	includes 4 screws	-	18753-0102
2	End Cover	11833-0000	6791-1100
3	*Gasket/O-Ring	9156-0000	18753-0104
4	*Impeller, Neoprene	9200-0001	7273-0001
	Nitrile	9200-0003	7273-0003
	Viton	-	7273-0004
5	Screw (Cam)	-	91002-0010
6	Cam	-	2907-0000
7	*Seal, Buna N	1040-0000†	93000-0100
	Viton	-	93000-0130
8	**Body	9154-0000	18649-1100
9	Screw (Pump to Motor)	98019-0020	98109-0020
10	Motor - X001	18740-0000	18740-0000
	-X003		
	-1004		
	-X271		
	-1273		
	-1274	18742-0000	18742-0000
11	Port Adaptor Kit (2each)	-	18753-0103
12	Rubber Bumper	92900-0020	92900-0020
	Service Kit -X001	90106-0001	90061-0002
	-X271		
	-X003		
	-1273		
	-1004		
	-1274	-	90061-0002
	Replacement Pump Head -X001	9130-0001	9190-0001
	-X271		
	-X003		
	-1273		

†1040-0000 - Replacement seal kit contains a press in retainer, which is not used in either 12510-Series or 12520-Series pumps.

* Parts Supplied in Service Kit.

** When replacing an old style 12520-Series body which has a three hole end cover it is necessary to also order a new end cover, end cover screws and O-ring (Keys 1, 2, & 3) and Port Adaptors if attaching to 3/4" Garden Hose fittings.

SERVICE INSTRUCTIONS

Disassembly

CAUTION: Pumps which have handled corrosive, caustic or toxic fluids should be drained and completely flushed prior to servicing. Failure to do so may cause injury.

1. Remove screws, end cover and gasket/O-ring.
2. Withdraw impeller.
3. Loosen and remove two slotted hex screws, which attach body to motor.
4. Tap body lightly between ports and remove body from motor.

Model 12520-Series:

Deform seal and remove from body cavity.

Model 12510-Series:

Press seal out of seal cavity.

NOTE: Do not tamper with or disassemble motor.

Assembly

1. Model 12520-Series:

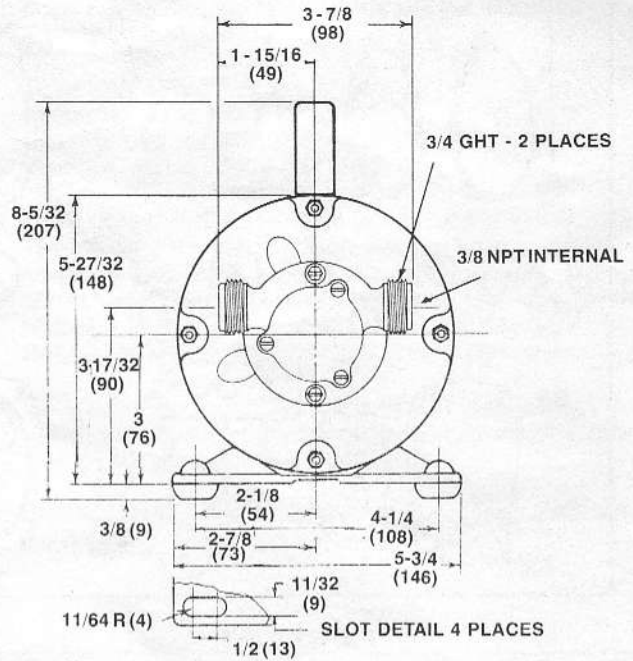
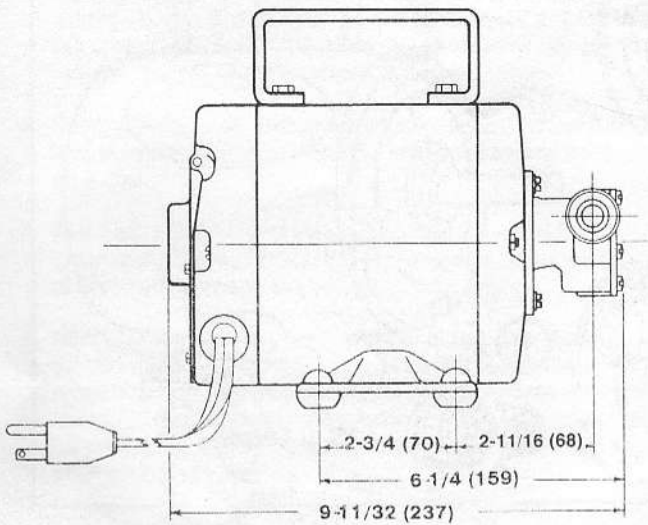
Lubricate seal. Deform seal and install in cavity with open side of seal facing impeller.

Model 12510-Series:

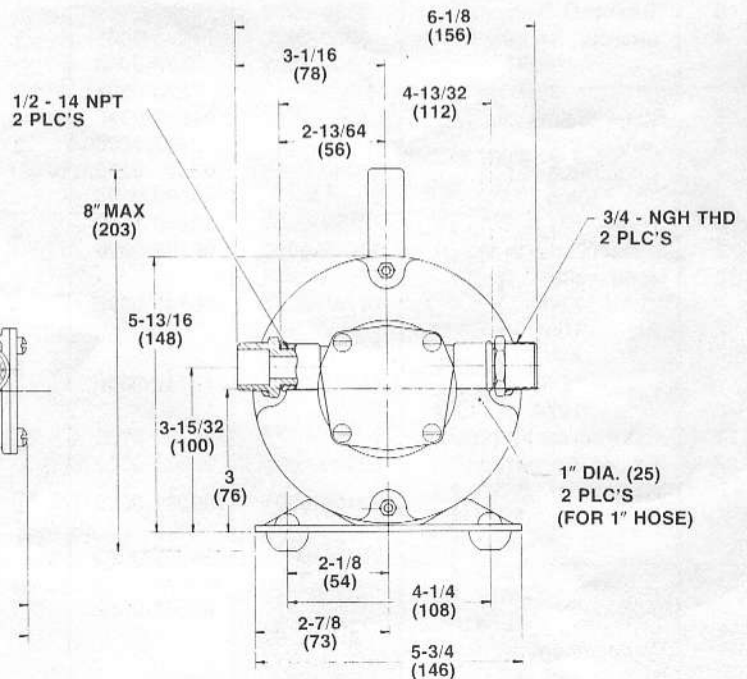
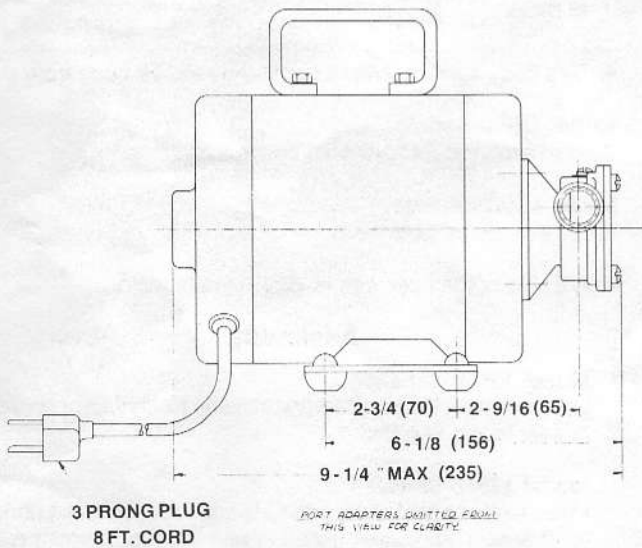
Press seal into seal cavity with lip facing impeller bore. Lubricate lip of seal. The retainer supplied with the replacement seal is not normally required in this bronze body pump assembly.

2. Lubricate motor shaft and install body on motor.
3. Lubricate impeller bore and, aligning flat in impeller with flat on motor shaft, install impeller with a clockwise rotary motion.
4. Install gasket/O-ring, end cover and screws.

**12510-SERIES
DIMENSIONAL DRAWING
INCHES (MILLIMETRES)**



**12520-SERIES
DIMENSIONAL DRAWING
INCHES (MILLIMETRES)**



THE PRODUCTS DESCRIBED HEREIN ARE SUBJECT TO THE JABSCO ONE YEAR LIMITED WARRANTY, WHICH IS AVAILABLE FOR YOUR INSPECTION UPON REQUEST.

ITT Jabsco

ITT Fluid Technology Corporation
1485 Dale Way, P.O. Box 2158, Costa Mesa, CA 92628-2158
Tel: (714) 545-8251; Fax: (714) 957-0609
Bingley Road, Hoddesdon, Hertfordshire EN11 OBU England
Tel: 0992-467191; Tlx: 263251 G; Fax: 0992-467132