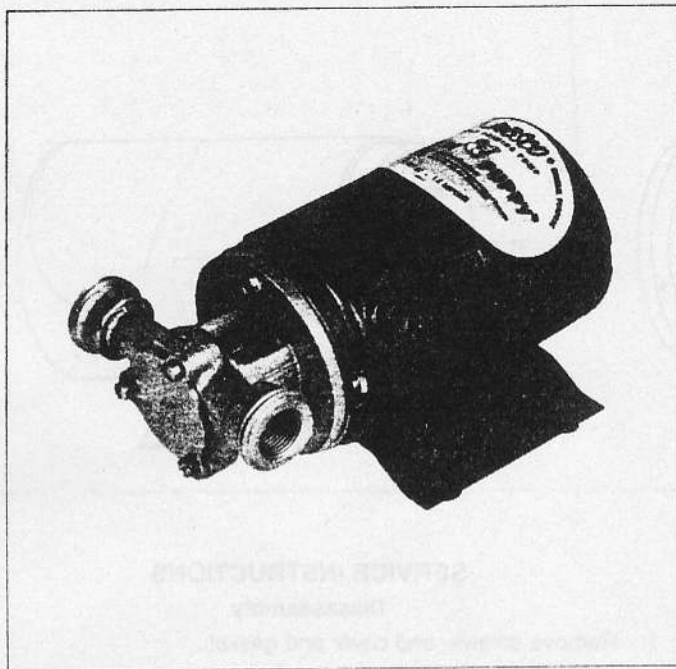


# JABSCO

"HANDI-PUPPY" · SELF-PRIMING · MOTOR PUMP UNIT

## MODEL 12210-Series



### DESIGN FEATURES

- Body:** Bronze
- Impeller:** Jabasco Neoprene or Nitrile Compound
- Seal:** Lip Type
- Ports:** Both 3/4" Garden Hose External Thread and 3/8" Internal Pipe Thread
- Motor:** 115 Volt AC, w/Replacement Brushes, Stainless Steel Shaft, 6 foot Cord - 3 prong grounding plug
- Weight:** 5 lb. (approximately) (2,3 kg)
- Dimensions:** 3 1/2" High, 4" Wide, 6 7/8" Long

### VARIATIONS AVAILABLE

- Model 12210-0001 Neoprene Impeller
- Model 12210-0003 Nitrile Impeller

### HEAD CAPACITY TABLE

PSI	Feet of Water	GPM
4.3	10	3.4
8.7	20	3.2
13.0	30	2.9
17.4	40	2.5

Table shows approximate Head-Flow for new pump in U S gallons per minute.

### TYPICAL APPLICATIONS

**INDUSTRIAL:** Transferring liquids • Velocity-mixing • Pumping coolants • Pumping waste water to sewer • Cellar, yard and sump drainage • Cooling Heliarc welding equipment.

**MARINE:** Washing down decks and docks • Water for ship's service supply • Pumping out crank-case oil.

**FARMING:** Pumping water for stock, poultry houses, farmhouse • Pumping water from wells and cisterns • Pumping liquid ballast into tractor tires • Pumping water from flooded basements.

**PLUMBING AND HOME EMERGENCY USE:** Pumping out flooded basements, cesspools, sumps, etc. • Draining water heaters and water closets • Draining laundry tubs below sewer level • Removing water trapped between walls, draining inaccessible places when pipes break or leak • Draining fishing ponds and garden pools • Removing sludge, lyewater and other caustics from stopped up drains and sinks.

### ⚠ MOTOR WARNING



MOTOR CAN SPARK.  
EXPLOSION & DEATH  
CAN OCCUR.  
DO NOT USE WHERE  
FLAMMABLE VAPORS  
ARE PRESENT.

### OPERATING INSTRUCTIONS

- 1. INSTALLATION** – Pump may be mounted at any angle without loss of efficiency. Suggested mounting is horizontal or with pump head down. The inlet port is the right hand port when looking at the end cover.
- 2. DRIVE** – Direct.
- 3. SELF-PRIMING** – Pump will produce a suction lift approaching 10 feet when dry and a lift up to 20 feet when primed. BE SURE SUCTION LINES ARE AIRTIGHT.
- 4. RUNNING DRY** – Unit depends on liquid pumped for lubrication. DO NOT RUN DRY for more than 30 seconds. Lack of liquid will damage the impeller.
- 5. NOTICE** – Do not pump solvents, thinners, highly concentrated or organic acids. If corrosive fluids must be handled consult

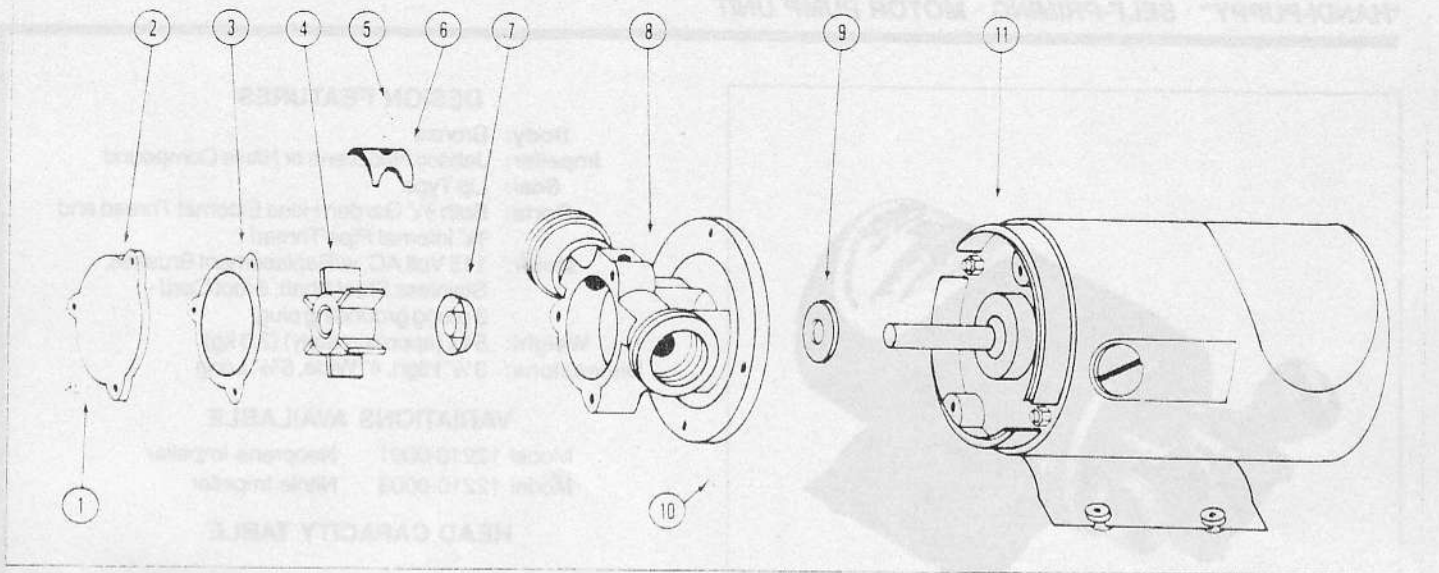
Jabasco Chemical Resistance Table (available on request from ITT Jabasco). Pump life will be prolonged if pump is flushed with water after each use or after each work day.

- 6. DUTY** – The "Handi-Puppy" is designed for intermittent duty in applications such as: transferring liquids; draining water heaters and water closets; pumping water from basements and other applications which require a few hours of continuous operation.
- 7. TEMPERATURES** – Neoprene 45° F (7,2°C) to 180° F (82,2°C), Nitrile 50° F (10°C) to 180° F (82,2°C).
- 8. FREEZING WEATHER** – Drain unit by loosening end cover plate.

**ITT JABSCO**

MODEL 12210-Series

## EXPLODED VIEW



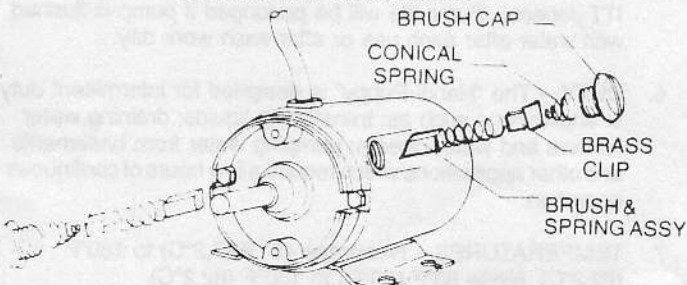
### PARTS LIST

Key	Description	Part Number	Qty. Req.
1	Screw (End Cover)	91002-0090	3
2	End Cover	12076-0000	1
3	Gasket	7828-0000	1
4	Impeller - Neoprene	14750-0001	1
	Nitrile	14750-0003	1
5	Screw (Cam)	91002-0010	1
6	Cam	8089-0000	1
7	Seal	93000-0100	1
8	Body	7824-0000	1
9	Slinger	6342-0000	1
10	Screw (Motor)	98019-0020	2
11	Motor and Base Assy.	9195-0004	1
	Replacement Pump Head	9040-0001	
	Service Kit, Neoprene	90092-0007	
	Service Kit, Nitrile	90092-0004	
	†Brush Repair Kit with White Brush Caps	42626-0001	

\* Part included in Service Kit.

† Pumps manufactured prior to 1982 were equipped with brush assemblies having black brush caps. If ordering a replacement brush kit for a pump with black caps, specify part number 42626-0000.

### BRUSH REPLACEMENT



FRONT VIEW OF MOTOR  
(Facing Motor Shaft)

Replacement brush kit includes 2 each brush and spring assemblies, brass clips, conical springs, and caps. Remove old brush assemblies and replace in order shown above. Make sure curvature on end of brush is pointed in direction shown.

© Copyright 1986, ITT Corporation

Printed in U.S.A.

All Rights Reserved

Form 43000-0015

Rev. 5/86

### SERVICE INSTRUCTIONS

#### Dissassembly

1. Remove screws, end cover and gasket.
2. Withdraw impeller.
3. Loosen and remove two slotted hex screws which attach body to motor.
4. Tap body lightly between ports and remove body from motor.
5. Deform seal and remove from body cavity.

NOTE: Do not tamper with or disassemble motor.

#### Assembly

1. Lubricate seal. Deform seal and install in cavity with open side of seal facing impeller.
2. Lubricate motor shaft and install body on motor.
3. Lubricate impeller bore and, aligning flat in impeller with flat on motor shaft, install impeller.
4. Install gasket, end cover and screws.

THE PRODUCTS DESCRIBED HEREIN ARE SUBJECT TO THE JABSCO ONE YEAR LIMITED WARRANTY, WHICH IS AVAILABLE FOR YOUR INSPECTION UPON REQUEST.

## ITT JABSCO

A Unit of ITT Corporation  
1485 Dale Way, P.O. Box 2158  
Costa Mesa, CA 92628-2158  
Telephone: (714) 545-8251