



Model 11810-Series

SELF-PRIMING PUMPS

FEATURES

- Body:** Bronze Construction
- Impeller:** Nitrile Compounds
- Shaft:** Stainless Steel Sleeve over Motor Shaft
- Wearplate:** Replaceable
- Shaft Seal:** Lip Type
- Ports:** 3/4" Garden Hose External Thread and 1/2" NPT Internal
- Motor:** 1/3 Hp, 115 Vac, 60 Hz, 1725 RPM, Single Phase, Capacitor Type, Open Drip Proof or Totally Enclosed Fan Cooled, Handle and 8 ft. cord with 3 prong grounded plug on ODP motor only.
- Weight:** 20 lb (9.1 kg) with ODP Motor
25 lb (11.4 kg) with TEFC Motor



Model 11810-Series

⚠ MOTOR WARNING

MOTOR CAN SPARK, EXPLOSION & DEATH CAN OCCUR.

DO NOT USE WHERE FLAMMABLE VAPORS ARE PRESENT.



MODEL	DESCRIPTION
11810-0003	Nitrile Impeller, ODP Motor
11810-0013	Nitrile Impeller, TEFC Motor

TYPICAL APPLICATIONS

MARINE

Bait tank circulation • Transfer oil • Wash down • Utility dock pumps

INDUSTRIAL

Circulate coolant on machine tools • Industrial filling systems • Utility shop pump • Transfer gum arabic • Transfer distilled water • Recharge water softeners • Ice water recirculation • Hydrostatic pressure testing • As vacuum pump • Aspirating pump

FOOD, BEVERAGE & DAIRY

Circulate cooling water • Defrost refrigeration coils • Fill drums • Wash down equipment and floors • Utility pump

HOME

Fill and empty tubs, pools • Empty basements • Cesspools • Water systems • Water lawns, gardens • Remove water from low areas • Recharge water softeners

PLUMBING

Empty clogged sumps, drains, sinks, tubs • Pump out water closets

FARM

Fill tractor tires • Fill water tanks • Pump out silo pits, liquid manures • Transfer oil • Flush and clean animal pens

CONTRACTORS

Remove water from excavations • Supply water to mortar boxes, cement mixing • Wash down equipment

OPERATING INSTRUCTIONS

- INSTALLATION**—Pump may be mounted in any position without loss of efficiency; however, it is suggested that the pump head be down if vertical mounting is desired. The rotation of the motor shaft determines the location of the pump's intake and discharge ports. Refer to Dimensional Drawing. Right hand port, looking at pump end cover, is inlet port.
- DRIVE**—Direct.
- SELF-PRIMING**—Pump will produce a suction lift approaching 10 feet (3m) when dry and a lift up to 22 feet (6,7m) when primed. **BE SURE SUCTION LINES ARE AIRTIGHT** or pump will not self-prime.
- RUNNING DRY**—Unit depends on liquid pumped for lubrication. **DO NOT RUN DRY** for more than 30 seconds. Lack of liquid will damage the impeller.
- PRESSURES**—For continuous operation, pressure should not exceed 20 p.s.i. (1,4 kg/sq cm).
- TEMPERATURES**— Nitrile impeller recommended for liquid temperatures of 50° to 180°F (10° to 82°C).
- FREEZING WEATHER**—Drain unit by loosening the end cover.
- NOTICE** — Do not pump solvents, thinners, highly concentrated or organic acids. Damage to pump may result. If corrosive fluids must be handled, pump life will be prolonged if pump is flushed with water after each use or after each work day.
- GASKET**—Use standard pump part. A thicker gasket will reduce priming ability. A thinner gasket will cause impeller to bind. Standard thickness 0.010".
- SPARE PARTS**—A Jabsco Service Kit should be kept on hand to service all but the most badly worn 11810-Series pump.

SERVICE INSTRUCTIONS

DISASSEMBLY

- Remove end cover screws, gasket and end cover.
 - Grasp impeller hub with water pump pliers and withdraw from body.
 - Loosen cam screw and remove cam. Clean off sealant. Remove wearplate with screwdriver or hooked wire.
 - Loosen nut at body clamp. Remove body from motor shaft.
 - Press out seal from motor mounting end of body towards impeller bore.
 - Remove slinger from shaft.
- NOTE: Inspect all parts for wear or damage and replace if necessary.

ASSEMBLY

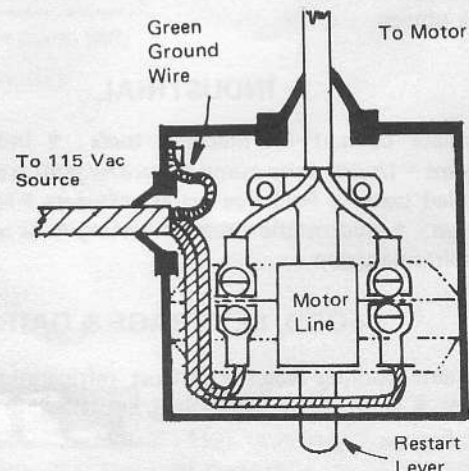
- Install slinger and position ¼" from motor boss.
- Press seal into seal bore with lip facing toward the impeller bore. Apply grease to back of seal lip.
- Install wearplate, aligning slot with dowel pin.
- Apply sealant to top of cam and cam screw threads. Install cam with cam screw.
- Install body on motor. Tighten nut at clamp. Do not overtighten or binding of shaft will result.
- Lubricate impeller bore with water pump grease.
- Lubricate shaft OD with grease, align drive ding in extended impeller insert with flat on shaft and install impeller.
- Install gasket, end cover and end cover screws.

TO EQUIP WITH VACUUM SWITCH (4732-0000)

- Install switch in tapped hole on top of inlet port. (Seal threads prior to assembly).
- Connect switch to motor. See diagram.
- Plug into 115 Vac outlet and hold down restart lever on switch until the pump primes.

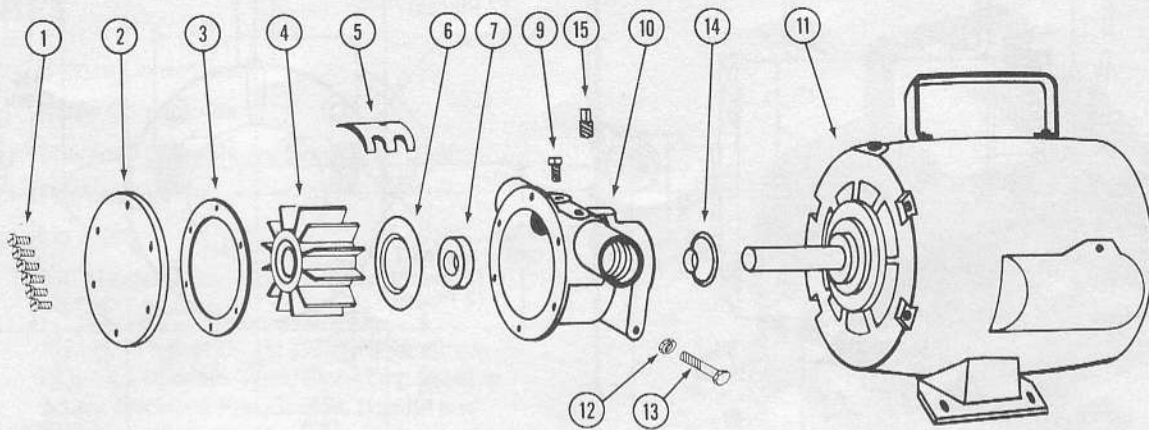
SPECIAL ATTENTION

- Constant vibration of the restart lever indicates:
 - An air leak.* This will usually show up when the pump is first started. All suction lines should be checked for loose connections.
 - A worn impeller.* Impeller should be replaced.
- Intermittent stopping and starting indicates that the unit is operating against excessive discharge pressure.



VACUUM SWITCH WIRING DIAGRAM

EXPLODED VIEW



PARTS LIST

KEY	DESCRIPTION	PART NUMBER	QTY.
1	Screw (End Cover)	91002-0020	6
2	End Cover	11830-0000	1
3*	Gasket	11816-0000	1
4*	Neoprene Impeller	5929-0001	1
	Nitrile Impeller	5929-0003	
5	Cam	490-0001	1
6	Wearplate	2235-0000	1
7*	Seal (Shaft)	92700-0420	1
9	Screw (Cam)	91003-0010	1
10	Body	11814-0000	1
11	Motor (ODP)	18739-0000	1
	Motor (TEFC)	18753-0014	
12	Nut	91105-0030	1
13	Bolt	91095-0090	1
14	Slinger (O-Ring)	92000-0230	1
15	Plug (for vacuum switch hole)	92650-0070	1

4732-0000—VACUUM SWITCH KIT— automatic shut off for use when pump is left unattended.

* Parts contained in service kit.

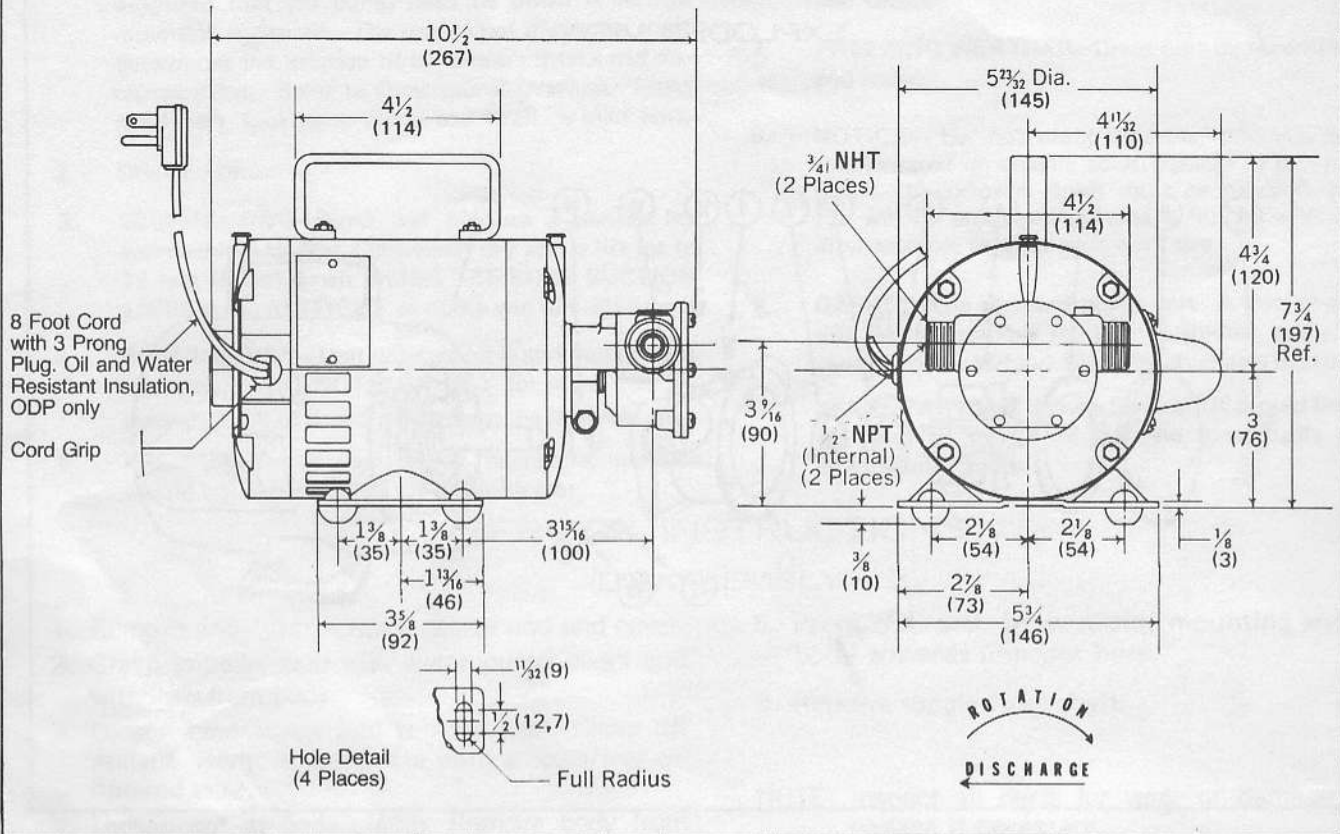
SERVICE KITS

PUMP MODEL NUMBER	SERVICE KIT NUMBER
11810-0001 11810-0011	90105-0001 Neoprene Impeller
11810-0003 11810-0013	90105-0003 Nitrile Impeller
Kits consist of: Impeller, seal and gasket.	

REPLACEMENT PUMP HEADS COMPLETE

PUMP MODEL NUMBER	PUMP HEAD NUMBER
11810-0003 11810-0013	11818-0003 Nitrile Impeller

DIMENSIONAL DRAWING
INCHES (MILLIMETRES)



HEAD CAPACITY TABLE

psi	(kg/sq cm)	feet of water	(metres)	GPM	(LPM)
4.3	0,3	10	3	9.6	36,3
8.7	0,6	20	6	8.1	30,7
13.0	0,9	30	9	6.8	25,7
17.3	1,2	40	12	4.4	16,7

NOTE: Tables show approximate performance for new pump with nitrile impeller pumping water.

ITT Jabsco

ITT Fluid Technology Corporation
1485 Dale Way, P.O. Box 2158, Costa Mesa, CA 92628-2158
Tel: (714) 545-8251; Fax: (714) 957-0609
Bingley Road, Hoddesdon, Hertfordshire EN11 0BU England
Tel: 0992-467191; Tlx: 263251 G; Fax: 0992-467132

THE PRODUCTS DESCRIBED HEREIN ARE SUBJECT TO THE JABSCO ONE YEAR LIMITED WARRANTY, WHICH IS AVAILABLE FOR YOUR INSPECTION UPON REQUEST.