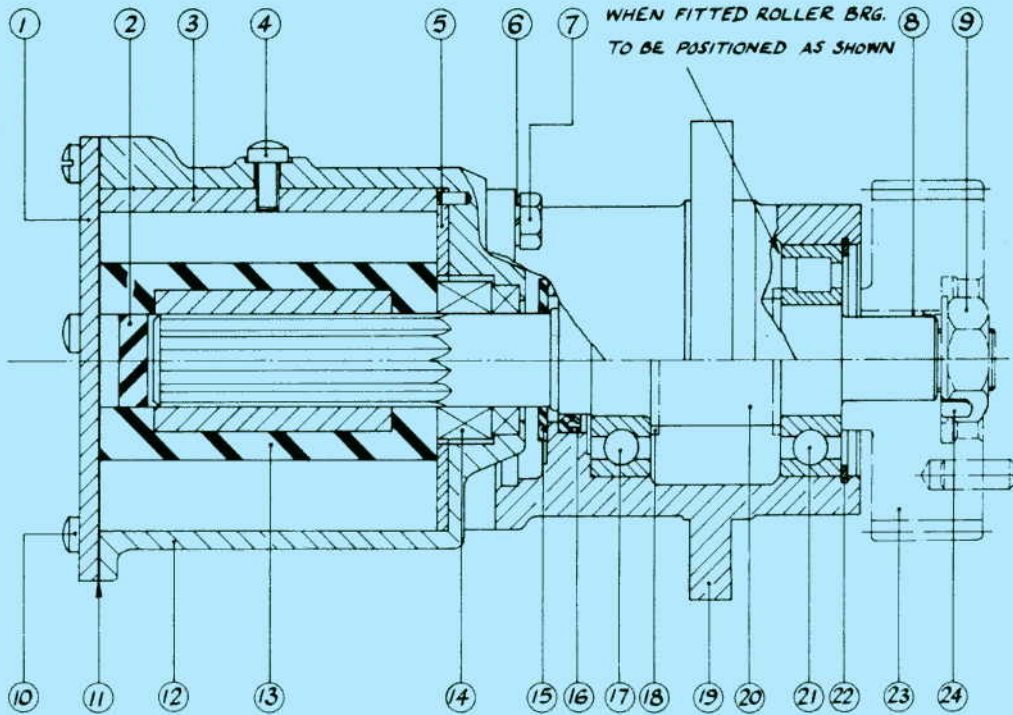
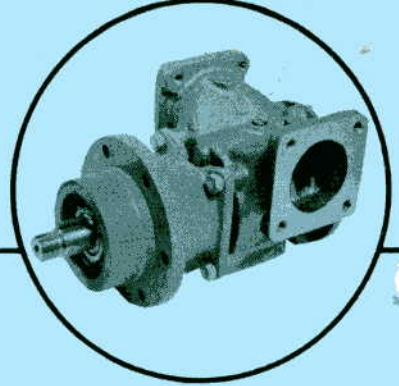


# JABSCO

## MARINE PUMPS Series 10770



### Part Numbers

| Key | Description     | Qty | Model 10770 | Model 10770-01 | Model 10770-05 | Model 10770-07 | Model 10770-45 | Model 10770-51 | Model 10770-57 | Model 10770-62 | Model 10770-65 | Model 10770-67 |
|-----|-----------------|-----|-------------|----------------|----------------|----------------|----------------|----------------|----------------|----------------|----------------|----------------|
| 1   | Endcover        | 1   | 3996        | 3996           | 3996           | 3996           | 3996           | 3996           | 3996           | 3996           | 3996           | 3996           |
| 2   | Spline Seal     | 1   | 4346        | 4346           | 4346           | 4346           | 4346           | 4346           | 4346           | 4346           | 4346           | 4346           |
| 3   | Cam             | 1   | 834         | 2551           | 2551           | 834            | 834            | 834            | 2551           | 834            | 2551           | 2551           |
| 4   | Cam Screw       | 1   | SP1005-04   | SP1005-05      | SP1005-05      | SP1005-04      | SP1005-04      | SP1005-04      | SP1005-05      | SP1005-04      | SP1005-05      | SP1005-05      |
| 5   | Wearplate       | 1   | 2574        | 2574           | 2574           | 2574           | 2574           | 2574           | 2574           | 2574           | 2574           | 2574           |
| 6   | Washer          | 4   | SP1602-13   | SP1602-13      | SP1602-13      | SP1602-13      | SP1602-13      | SP1602-13      | SP1602-13      | SP1602-13      | SP1602-13      | SP1602-13      |
| 7   | Bolt            | 4   | SP1095-28   | SP1095-28      | SP1095-28      | SP1095-28      | SP1095-28      | SP1095-28      | SP1095-28      | SP1095-28      | SP1095-28      | SP1095-28      |
| 8   | Shaft Key       | 1   | SP1402-04   | SP1402-04      | SP1402-04      | SP1402-04      | SP1402-04      | SP1402-04      | SP1402-04      | SP1402-04      | SP1402-04      | 21234          |
| 9   | Nut             | -   | -           | -              | -              | -              | -              | -              | -              | -              | -              | -              |
| 10  | Endcover Screw  | 6   | SP1005-04   | SP1005-04      | SP1005-04      | SP1005-04      | SP1005-04      | SP1005-04      | SP1005-04      | SP1005-04      | SP1005-04      | SP1005-04      |
| 11  | Gasket          | 1   | 816         | 2553           | 2553           | 816            | 816            | 816            | 2553           | 816            | 2553           | 2553           |
| 12  | Pump Body       | 1   | 10634       | 10634          | 10634          | 10634          | 10634          | 10634          | 10634          | 10634          | 10634          | 10634          |
| 13  | Impeller        | 1   | 836         | 836            | 836            | 836            | 836            | 836            | 836            | 836            | 836            | 836            |
| 14  | Pump Seal       | 1   | 6408        | 6408           | 6408           | 6408           | 6408           | 6408           | 6408           | 6408           | 6408           | 6408           |
| 15  | Slinger         | 1   | 3181        | 3181           | 3181           | 3181           | 3181           | 3181           | 3181           | 3181           | 3181           | 3181           |
| 16  | Bearing Seal    | 1   | SP2701-54   | SP2701-54      | SP2701-54      | SP2701-54      | SP2701-54      | SP2701-54      | SP2701-54      | SP2701-54      | SP2701-54      | SP2701-54      |
| 17  | Bearing         | 1   | SP2601-37   | SP2601-37      | SP2601-37      | SP2601-37      | SP2601-37      | SP2601-37      | SP2601-37      | SP2601-37      | SP2601-37      | SP2601-37      |
| 18  | Retaining Ring  | 2   | -           | -              | -              | Y5026-08       | -              | -              | Y5026-08       | Y5026-08       | Y5026-08       | Y5026-08       |
| 19  | Bearing Housing | 1   | 10594       | 10594          | 10594          | 10594          | 10594          | 10594          | 10594          | 10594          | 10594          | 10594          |
| 20  | Shaft           | 1   | 10497       | 10187          | 10497          | 11256          | 10187          | 10187          | 11256          | 10187          | 21677          | 11256          |
| 21  | Bearing         | 1   | SP2601-37   | SP2601-37      | SP2601-37      | SP2601-37      | SP2601-41      | SP2601-41      | SP2601-37      | SP2601-41      | SP2601-41      | SP2601-37      |
| 22  | Retaining Ring  | 1   | SP1701-244  | SP1701-244     | SP1701-244     | SP1701-244     | SP1701-244     | SP1701-244     | SP1701-244     | SP1701-244     | SP1701-244     | SP1701-244     |
| 23  | Gear            | -   | -           | -              | -              | -              | -              | -              | -              | -              | -              | -              |
| 24  | Tab Washer      | -   | -           | -              | -              | -              | -              | -              | -              | -              | -              | -              |

**Service Kits**  
 Models 10770, -07, -45, -51, -62 ARE SK 230  
 Models 10770-01, -05, -57, -65, -67 ARE SK 230-01

Service Kits Contain: Impeller, Gasket, Seal Assembly, Screws.