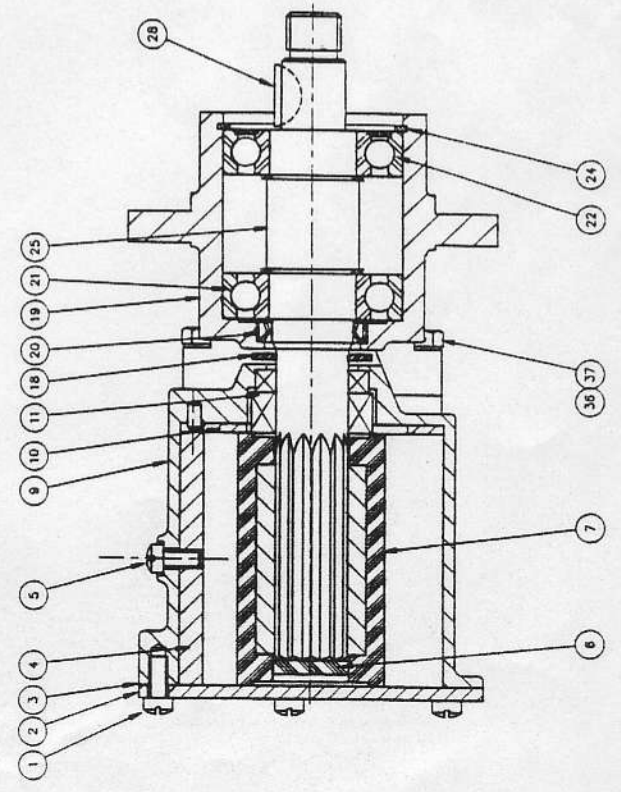


| SERIES | SIZE | K | L | M | P | R | S |
|--------|------|----|----|------|------|-----|-----|
| 10770 | 200 | 84 | 41 | 82.6 | 32 | 109 | 151 |
| 10590 | 270 | 86 | 57 | 90.5 | 41.3 | 119 | 176 |

| KEY | DESCRIPTION | QTY | PART NUMBER | | | |
|-----|----------------------|-----|----------------|---------------------|----------------|------------------|
| | | | MODEL 10770-07 | MODEL 10770-57-0051 | MODEL 10590-22 | MODEL 10590-0041 |
| 1 | END COVER SCREW | 5 | SP1005-04 | All models | | |
| 2 | END COVER | 1 | 9336 | | | |
| 3 | GASKET | 1 | 816 | | | |
| 4 | CAM | 1 | 834 | 2551 | 6988 | 22268 |
| 5 | CAM SCREW | 1 | SP1005-04 | SP1005-05 | SP1005-04 | SP1005-05 |
| 6 | SPLINE PLUG | 1 | 4346 | 4346 | 4346 | 4346 |
| 7 | IMPELLER | 1 | 17935-0501 | 17935-0001 | 21676-0001 | 21676-0001 |
| 8 | BODY | 1 | 10634 | 10634 | 10494 | 10494 |
| 9 | WEARPLATE | 1 | 2574 | | | |
| 10 | MECH SEAL ASSY | 1 | 21849 | | | |
| 11 | SLINGER | 1 | 3181 | | | |
| 12 | BEARING HOUSING | 1 | 10594-0030 | All models | | |
| 13 | LIP SEAL | 1 | SP2701-54 | | | |
| 14 | BEARING (INNER) | 1 | SP2601-37 | | | |
| 15 | BEARING (OUTER) | 1 | SP2601-41 | | | |
| 16 | RETAINING RING (INT) | 1 | SP1701-244 | | | |
| 17 | SHAFT ASSEMBLY | 1 | 11268 | 11268 | 11256-01 | 11256-01 |
| 18 | RETAINING RING | 2 | Y6026-08 | | | |
| 19 | KEY | 1 | SP1402-04 | | | |
| 20 | BOLT | 1 | SP1084-0100 | | | |
| 21 | WASHER | 4 | SP1602-13 | | | |
| 22 | | 4 | | | | |
| 23 | | 4 | | | | |
| 24 | | 4 | | | | |
| 25 | | 4 | | | | |



SK254

SK230

Service Kit

contains: Impeller, spline plug, seal assembly, gasket, end cover screws.
Mech. seal assembly consists of: carbon seal (rotary), ceramic seal (stationary), gasket.