

Jabsco Marine Toilets

2018 Product Range

Dear Valued Customer,

2018 brings new models within the Jabsco Marine Toilet portfolio. We have upgraded our ceramic bowls and now have soft close seats available on selected models.

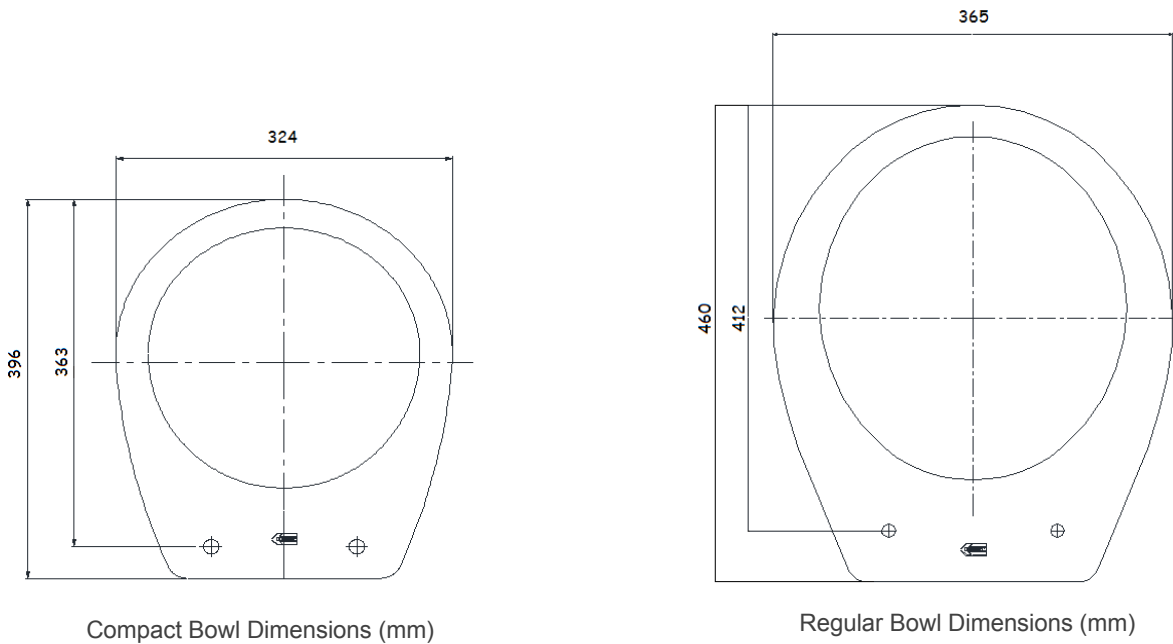


All new toilet models have hygienic, pure white vitreous china bowls that are attractive and easy to clean. A wooden seat and lid with a baked enamel finish and standard close hinges comes as standard.

A NEW luxury soft closing seat is now available as an option on all regular (large bowl) toilet models. It is made of Duroplast, a high performance material designed to look and feel like ceramic with an anti-scratch surface for increased hygiene, and features a soft close, non-corroding hinge system bringing an increased level of comfort to our range.

Other changes to note.

Bowl profiles have been updated to provide a modern look and help conceal bowl inlet pipe work



Full dimensional specifications available on www.marine.xylem.com/document-library

Parts list updated - Seat & Lid for new models.

- For all new 2018 compact bowl models (manual & electric), the seat remains unchanged (Seat p/n 29097-1000).
- All new 2018 regular bowl models (manual & electric) will now use the same wooden seat that is currently used on the Deluxe Flush series (58XXX) of toilets (Seat p/n 58104-1000)
- Soft close is available on selected models (see separate model list). The soft close seat will not retro fit existing regular bowls.
- Data sheets updated to reflect the above changes.
- We have swapped out the rinse pump on all raw water Quiet Flush electric toilet models. These will now be supplied with a ParMax 2.9 which replaces the current ParMax 3.

Kind Regards,

Matt Edmond

Product Manager



www.marine.xylem.com

xyleminc.com

© 2012 Xylem, Inc.