



Lite Flush Electric Toilet

LIGHTWEIGHT CONTEMPORARY DESIGN

A new electric toilet designed to instantly retro-fit your existing manual toilet or to give your bathroom a modern stylish look.

The innovative design offers both low power and water consumption with an integral rinse and waste pump system. The 'Lite Flush' electric toilet features a simple foot switch. Just press down once to fill the bowl, and press again to flush. The 'Lite Flush' has the same footprint, fixing points and hose attachments as Jabsco's existing manual toilet for ease of installation and a true retro-fit.

Features and Benefits

- Lightweight and compact
- Stylish and contemporary design
- NEW quiet and efficient flush pump technology
- Low water usage - 1.2 litres (1.3 US Quarts) per flush
- Low power consumption
- Ceramic inner, plastic outer for light weight construction
- Rinse pump integrated into unit for compact design
- Slow close seat and lid



NEW Two Button Controller



a xylem brand

Lite Flush Electric Toilet LIGHTWEIGHT CONTEMPORARY DESIGN

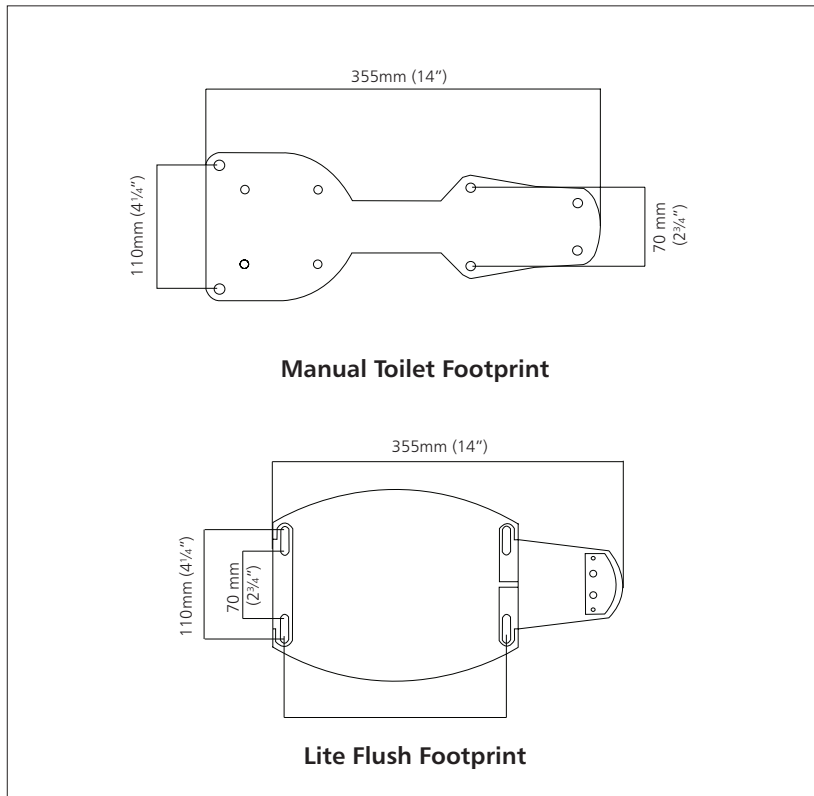


Simple Foot Switch Feature

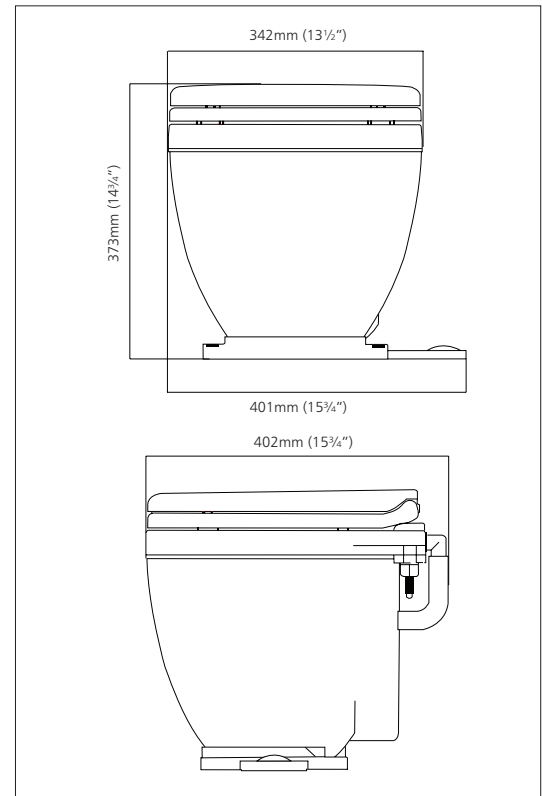
The 'Lite Flush' electric toilet is available with either a footswitch or a control panel. The 'Lite Flush' has the same footprint, fixing points and hose attachments as Jabsco's existing manual toilet for ease of installation and a true retro-fit.

For the footswitch variant, simply press down once to fill the bowl, and press again to flush. The Control Panel variant offers a multi-function 'one touch' pad offering four options - 'fill,' 'quick flush,' 'flush,' or 'empty.'

Footprint Specifications



Dimensional Drawings



Description		Part Number	Fuse/Breaker	UPC
Footswitch Variant	Lite Flush 12V	58500-0012	25amp	671880594189
	Lite Flush 24V	58500-0024	15amp	671880594196
Control Panel Variant	Lite Flush 12V	58500-1012	25amp	671880594202
	Lite Flush 24V	58500-1024	15amp	671880594219



Warranty: All products of the company are sold and all services of the company are offered subject to the company's warranty and terms and conditions of sale, copies of which will be furnished upon request. The information provided herein is for guidance only, it does not constitute a guarantee of the performance or specification of any individual product or component.

www.xylem.com

USA
Xylem, Inc.
Cape Ann Industrial Park
Gloucester, MA 01930
Tel: (978) 281-0440
Fax: (978) 283-2619

UK
Xylem, Inc.
Bingley Road, Hoddesdon
Hertfordshire EN11 0BU
Tel: +44 (0) 1992 450145
Fax: +44 (0) 1992 467132

GERMANY
Xylem, Inc.
Oststrasse 28
22844 Norderstedt
Tel: +49-40-53 53 73-0
Fax: +49-40-53 53 73-11

JAPAN
NHK Jabsco Company Ltd.
3-21-10, Shin-Yokohama
Kohoku-Ku, Yokohama, 222-0033
Tel: +81-045-475-8906
Fax: +81-045-477-1162

ITALY
Xylem, Inc.
Via Tommaseo, 6
20059 Vimercate, Milano
Tel: +39 039 685 2323
Fax: +39 039 666 307