

## 53020 Series

### Bronze Flexible Impeller Pump

#### Features

- Self prime from dry up to 1.5 metres
- Flows up to 18 litres per minute
- Pressure up to 1.7 bar
- Handles hard or soft solids
- Tolerates abrasive wear
- Non pulsating flow
- Handles viscosities up to 500 cP
- Uses standard IEC motor
- Dry running capability for 30 minutes without damage to pump (post operation)



#### Typical Applications

- **Industrial** : Industrial filling systems, Utility shop pump, Transfer systems, Recharge water softeners, Sump emptying, Cooling tower circulation, Line cleaning, Heat exchangers, Air scrubbers, Processing systems, Laboratory circulation and Oil changing.
- **Plumbing** : Emptying clogged drains, Pump out water closets and Empty sumps, sinks & tubs.
- **Contractors** : Cement mixing, Wash down equipment, Empty basements and Fill & empty tanks.
- **Agricultural** : Fill water tanks, Flush animal pens and Pumping water for livestock.
- **Food & Beverage** : Vending machines, Refrigeration condensate pump out, Wash down equipment and Floor cleaning.

#### Model Options

Impeller option				Neoprene	Nitrile
Temperature range				4°C to 80°C	10°C to 90°C
Poles	Volts	Amps	RPM		
4	230	2.13	1450	53020-2011	53020-2013
Pump head only				53021-2011	53021-2013


Motors are single phase, 180 Watt, 50 Hertz, AC. Face & Foot mounting B3-B14.

Enclosure IP54, frame size 63 all IEC 72 standard. Fitted with manual reset thermal overload.


Note : it is not recommended to start the pump at extreme ends of the temperature range, impeller damage may occur

For Installation, Operating, Maintenance and Safety Instructions refer to form 43001-0543

**⚠ WARNING** Explosion hazard. Do not pump gasoline, solvents, thinners or other flammable liquids. To do so can cause an explosion resulting in injury or death.



**⚠ WARNING** Fire hazard. Wiring must comply with applicable electrical standards and include a properly sized fuse or circuit breaker. Improper wiring can cause a fire resulting in injury or death.



#### Specifications

**Seal** : Carbon / ceramic mechanical face seal, Butyl Nitrile elastomers

**Pump Head** : Bronze with integral fluid reservoir to protect pump against dry running for up to 30 minutes (post operation)

**End Cover** : Brass

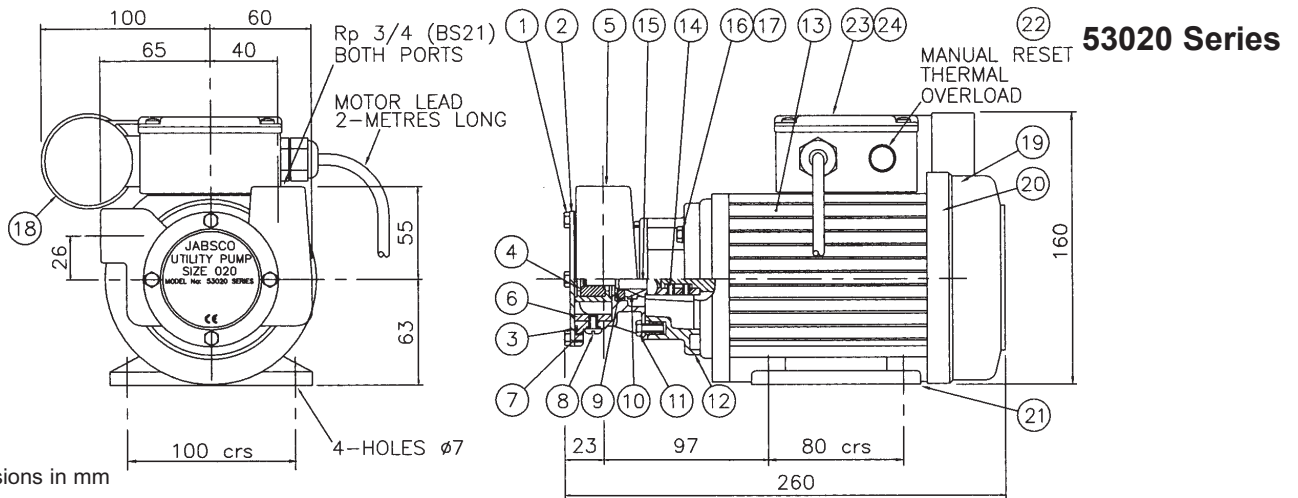
**Bearings** : Uses motor bearings

**Shaft** : Stainless steel, shaft extension

**Ports** : ¼" BSP internal thread

**Motor Adaptor** : Polypolyene

**Weight** : 7.1kg

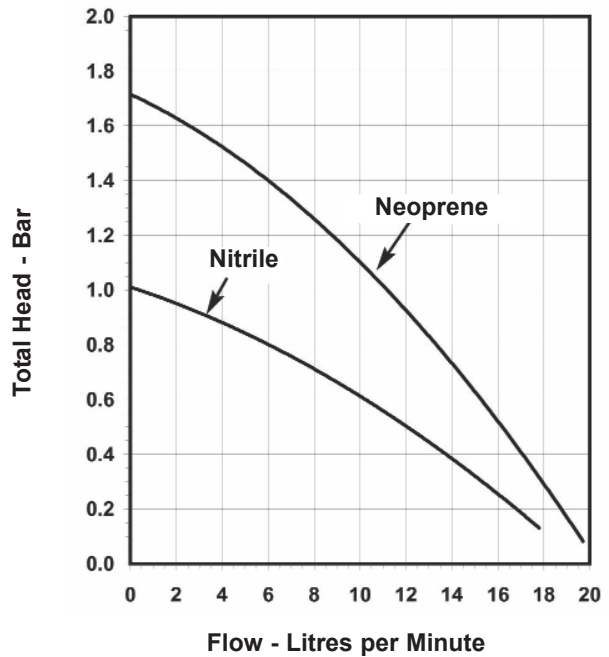


Dimensions in mm

### Parts List

Key	Description	Qty	Part No.
1	Screw	4	X3001-0147F
2	Endcover	1	23825-0000
3	O-Ring	1	X4020-257A
4	Impeller*	Neoprene	1 7273-0001
		Nitrile	1 7273-0003
5	Body	1	53024-2000
6	Cam	1	53022-0000
7	O-Ring	1	X4020-105A
8	Screw	1	X3002-147F
9	Mechanical seal	1	SP8021-0301B
10	Screw	M5 x 12	2 X3001-151F
12	Adaptor	1	50168-0000
13	Motor	1	SP8012-0260
14	Shaft Extension	Kit	1 53027-0000
15	Socket Screw	2	X3009-093F
16	Screw	M5 x 16	4 X3001-153F
17	Washer	4	X3080-081F
Parts marked * contained in Service kit			
Service Kit	Neoprene	1	SK416-0001
	Nitrile	1	SK416-0003

### Performance



Note : Performance shown is for a new pump, pumping water at 20°C, performance may vary by up to 15%. Consult factory for performance of alternative impeller compounds.



#### USA

**Jabsco**  
20 Icon  
Foothill Ranch  
CA 92610

Tel : +1 949 609 5106  
Fax : +1 949 859 1254

#### UK

**Jabsco**  
Bingley Road  
Hoddesdon  
Hertfordshire, EN11 0BU

Tel : +44 (0) 1992 450 145  
Fax : +44 (0) 1992 467 132

#### GERMANY

**Jabsco GmbH**  
Oststraße 28  
22844 Norderstedt

Tel : +49 (0) 40 53 53 73 0  
Fax : +49 (0) 40 53 53 73 11