

53020 Series

Bronze Flexible Impeller Pump

Features

- Self prime from dry up to 1.5 metres
- Flows up to 18 litres per minute
- Pressure up to 1.7 bar
- Handles hard or soft solids
- Tolerates abrasive wear
- Non pulsating flow
- Handles viscosities up to 500 cP
- Uses standard IEC motor
- Dry running capability for 30 minutes without damage to pump (post operation)



Typical Applications

- **Industrial** : Industrial filling systems, Utility shop pump, Transfer systems, Recharge water softeners, Sump emptying, Cooling tower circulation, Line cleaning, Heat exchangers, Air scrubbers, Processing systems, Laboratory circulation and Oil changing.
- **Plumbing** : Emptying clogged drains, Pump out water closets and Empty sumps, sinks & tubs.
- **Contractors** : Cement mixing, Wash down equipment, Empty basements and Fill & empty tanks.
- **Agricultural** : Fill water tanks, Flush animal pens and Pumping water for livestock.
- **Food & Beverage** : Vending machines, Refrigeration condensate pump out, Wash down equipment and Floor cleaning.

Model Options

Impeller option				Neoprene	Nitrile
Temperature range				4°C to 80°C	10°C to 90°C
Poles	Volts	Amps	RPM		
4	230	2.13	1450	53020-2011	53020-2013
Pump head only				53021-2011	53021-2013

Motors are single phase, 180 Watt, 50 Hertz, AC. Face & Foot mounting B3-B14.

Enclosure IP54, frame size 63 all IEC 72 standard. Fitted with manual reset thermal overload.

Note : it is not recommended to start the pump at extreme ends of the temperature range, impeller damage may occur

For Installation, Operating, Maintenance and Safety Instructions refer to form 43001-0543

Specifications

Seal : Carbon / ceramic mechanical face seal, Butyl Nitrile elastomers

Pump Head : Bronze with integral fluid reservoir to protect pump against dry running for up to 30 minutes (post operation)

End Cover : Brass


Bearings : Uses motor bearings


Shaft : Stainless steel, shaft extension

Ports : ¼" BSP internal thread

Motor Adaptor : Polypopylene

Weight : 7.1kg

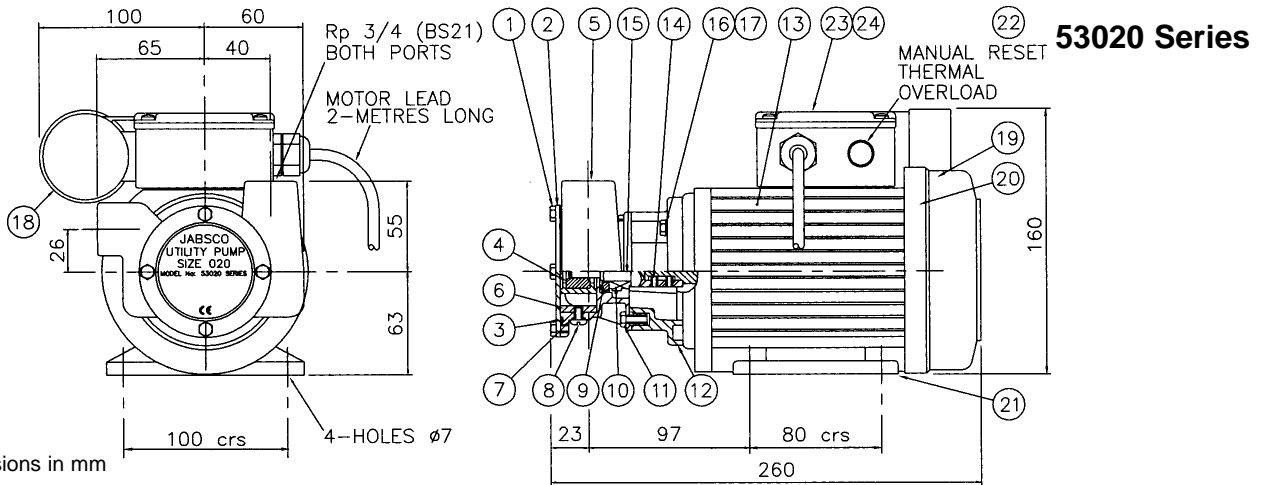
 **WARNING** Explosion hazard. Do not pump gasoline, solvents, thinners or other flammable liquids. To do so can cause an explosion resulting in injury or death.

 **WARNING** Fire hazard. Wiring must comply with applicable electrical standards and include a properly sized fuse or circuit breaker. Improper wiring can cause a fire resulting in injury or death

JABSCO®

020 Size Flexible Impeller AC Motor Pump Unit

07/05

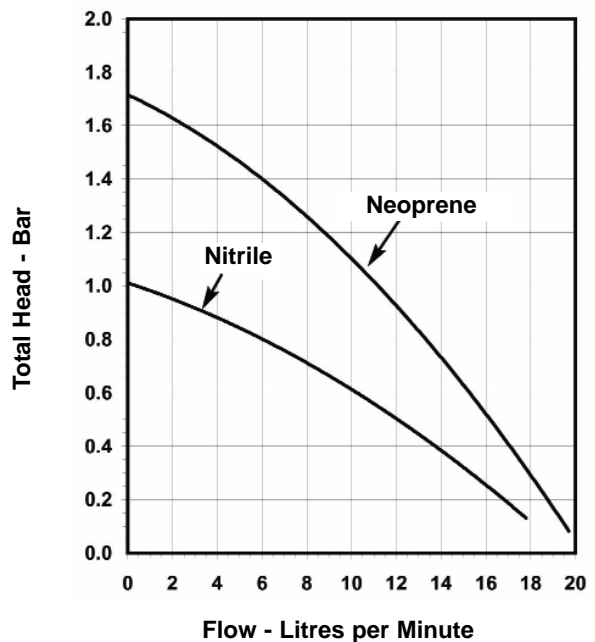


Dimensions in mm

Parts List

Key	Description	Qty	Part No.
1	Screw	4	X3001-0147F
2	Endcover	1	23825-0000
3	O-Ring	1	X4020-257A
4	Impeller*	Neoprene 1 Nitrile 1	7273-0001 7273-0003
5	Body	1	53024-2000
6	Cam	1	53022-0000
7	O-Ring	1	X4020-105A
8	Screw	1	X3002-147F
9	Mechanical seal	1	SP8021-0301B
10	Screw M5 x 12	2	X3001-151F
12	Adaptor	1	50168-0000
13	Motor	1	SP8012-0260
14	Shaft Extension Kit	1	53027-0000
15	Socket Screw	2	X3009-093F
16	Screw M5 x 16	4	X3001-153F
17	Washer	4	X3080-081F
Parts marked * contained in Service kit			
Service Kit	Neoprene	1	SK416-0001
	Nitrile	1	SK416-0003

Performance



Note : Performance shown is for a new pump, pumping water at 20°C, performance may vary by up to 15%. Consult factory for performance of alternative impeller compounds.

Jabsco



ITT Industries

USA

Jabsco
20 Icon
Foothill Ranch
CA 92610

Tel : +1 949 609 5106
Fax : +1 949 859 1254

UK

Jabsco
Bingley Road
Hoddesdon
Hertfordshire, EN11 0BU

Tel : +44 (0) 1992 450 145
Fax : +44 (0) 1992 467 132

GERMANY

Jabsco GmbH
Oststraße 28
22844 Norderstedt

Tel : +49 (0) 40 53 53 73 0
Fax : +49 (0) 40 53 53 73 11

Warranty: All products of the company are sold and all services of the company are offered subject to the company's warranty and terms and conditions of sale, copies of which will be furnished upon request. The information provided herein is for guidance only, it does not constitute a guarantee of the performance or specification of any individual product or component.

©Copyright 2005 ITT Industries

SD3066