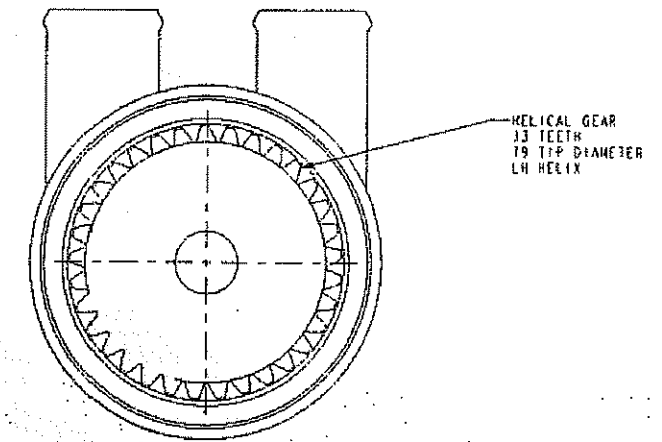
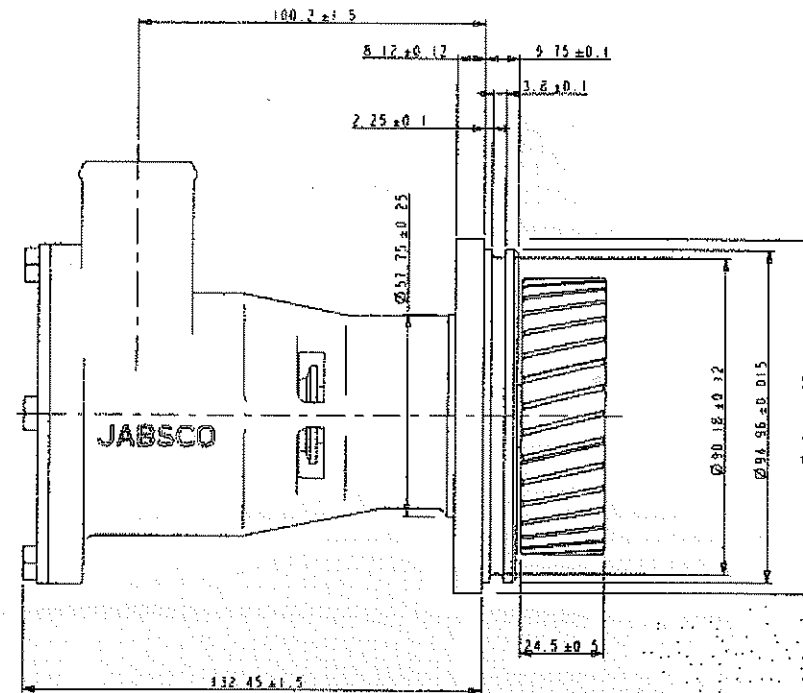
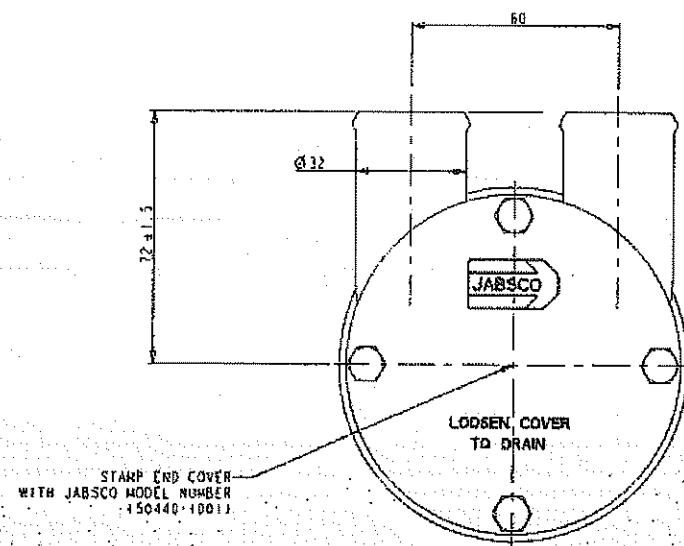


SECTION X-X

KEY	DESCRIPTION	PART NUMBER	QTY
1	BEARING - BALL	SP2601-0468	2
2	BODY Ø80	50444-1000	1
3	CAM	53982-0000	1
4	ENDCOVER	50355-0000	1
5	GEAR 33T LHS F10	50446-0100	1
6	HEX HEAD SCREW	X3001-176F	4
7	IMPELLER Ø80	920-0101	1
8	LIP SEAL	SP2700-1027	1
9	MECHANICAL SEAL	SP6080-0469	1
10	O RING (1.6 x 6.1)	X4020-106A	1
11	O RING (2.4 x 69.6)	X4020-269A	1
12	RETAINING RING	SP1700-62	1
13	RETAINING RING	SP1701-438	1
14	ROLL PIN	SP3100-10	1
15	SCREW M6 x 10 LONG	X3003-176F	1
16	SHAFT Ø80	29637-0000	1
17	SPLINE SEAL	4345	1
18	SUPPORT WASHER	29706-0000	1
19	WEARPLATE	4156	1



B 13451	2/11/2004
C 13230	10/5/2004
B 13476	2/2/2004
DATE:	ECN NO.

Jabco BINGLEY ROAD, WOODBRIDGE SUFFOLK, ENGLAND IP19 3JF www.jabco.com	THIS DOCUMENT IS THE PROPERTY OF ITT INDUSTRIES AND IS TO BE USED ONLY FOR THE PURPOSES AND LIMITATIONS SPECIFIED HEREIN. IT IS NOT TO BE REPRODUCED, COPIED, OR TRANSMITTED IN ANY FORM OR BY ANY MEANS, ELECTRONIC OR MECHANICAL, INCLUDING PHOTOCOPYING, RECORDING, OR BY ANY INFORMATION STORAGE AND RETRIEVAL SYSTEM, WITHOUT THE EXPRESS WRITTEN PERMISSION OF ITT INDUSTRIES.	SCALE: 1:100 DRAWN: J. ROUSE CHECKED: D. HEW DATE: 28/10/04	MATERIAL: STEEL FINISH: POLISHED INSTALLATION / ASSEMBLY DRAWING NO: 50440-1001	2004
	JABCO	DATE: 28/10/04	PART NO: 50440-1001	REV: A1
	ITT Industries	DATE: 28/10/04	PART NO: 50440-1001	REV: A1
	BINGLEY ROAD, WOODBRIDGE SUFFOLK, ENGLAND IP19 3JF www.jabco.com	DATE: 28/10/04	PART NO: 50440-1001	REV: A1