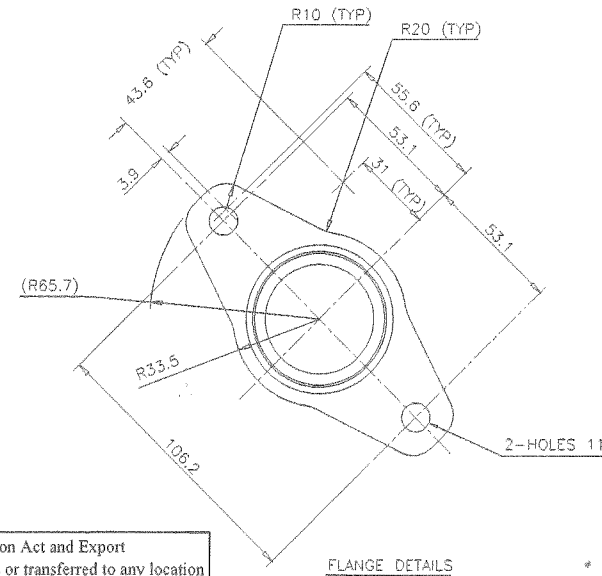
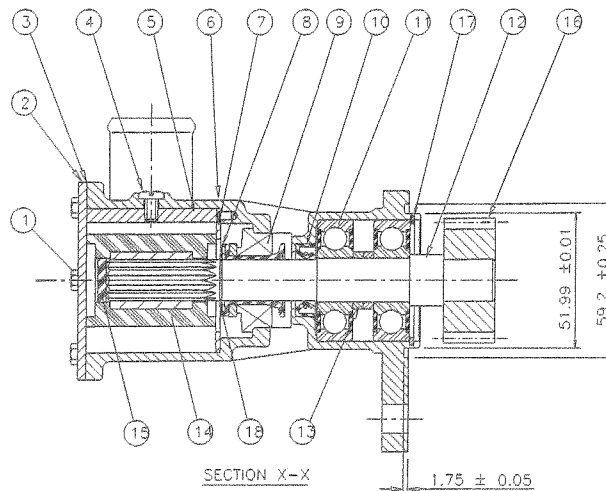


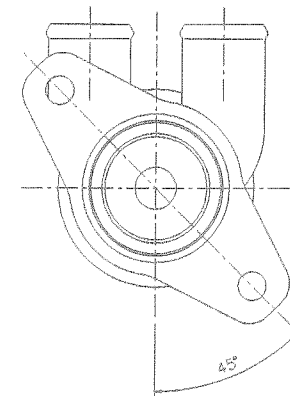
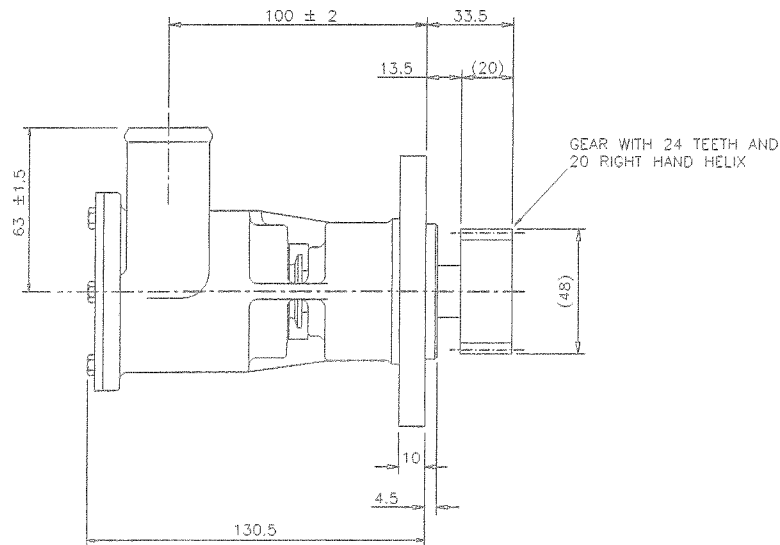
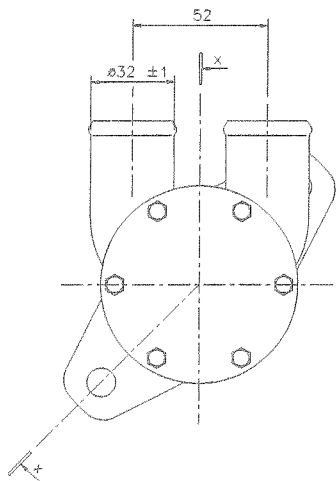
ALL DIMENSIONS IN MILLIMETRES

MODEL NUMBER	CAM
50180-1001	FULL
50180-1031	3/4

KEY	DESCRIPTION	QTY.	MODEL NUMBER	
			50180-1001	50180-1031
1	SCREW	6	X3001-095F	X3001-095F
2	ENDCOVER	1	3992	3992
3	GASKET	1	3298	3298
4	SCREW	1	SP1004-11	SP1004-11
5	CAM	1	22318	22318-0030
6	BODY	1	50184-1000	50184-1000
7	WEARPLATE	1	7883	7883
8	SUPPORT WASHER	1	29706-0000	29706-0000
9	MECHANICAL SEAL	1	SP6080-0469	SP6080-0469
10	LIP SEAL	1	SP2700-1027	SP2700-1027
11	BEARING	2	SP2600-0500	SP2600-0500
12	SHAFT	1	50187-0000	50187-0000
13	SPACER	2	SP1613-1408	SP1613-1408
14	IMPELLER	1	18777-0001	18777-0001
15	SPLINE SEAL	1	4345	4345
16	GEAR	1	50186-0000	50186-0000
17	RETAINING RING	1	SP1701-438	SP1701-438
18	RETAINING RING	1	SP1700-62	SP1700-62



This document contains technical data that is subject to export controls under the Export Administration Act and Export Administration Regulations (15 CFR 770, et seq.) This data may not be provided to non U.S. Persons or transferred to any location outside of the United States without the advance written permission of Fluid & Motion Control and the approval of the Department of Commerce



060 BRONZE FLANGE MOUNTED PUMP

REV	DATE	BY	CHKD	APPV	DESCRIPTION
D	15.06	JER			SCALE FROM GEARING FOR FORCE
C	10.79	JER			DO NOT SCALE - REPORT ERRORS
B	07.97	JER			SCALE: 1:1 DATE: 26.19
A	07.97	JER			DRAWN: JER

NOTICE	RENDER AND THE FLUSH	DO NOT SCALE - REPORT ERRORS	Ja bsc	MODDESON HERTS	ENGLAND
This drawing and representation is the property of Ja bsc and shall not be reproduced or used in any way without the written permission of Ja bsc.	SCALE FROM GEARING FOR FORCE	SCALE: 1:1 DATE: 26.19	MATERIAL: -		1997
	DO NOT SCALE - REPORT ERRORS	DRAWN: JER	TITLE: INSTALLATION/ASSEMBLY		
	SCALE: 1:1 DATE: 26.19	CHECKED:	DRAWING NO.: 50180-SERIES		
	DRAWN: JER	APPROVED:			A1

M65T